




Product information ELWIST 4012 PG7

Industrial Connecting Solutions: Circular Connectors: M8 - M12 Connectors: M12 Connectors: M12 Circular connector (M12 E-Series): with screw locking: Angled cable plug, self-assembled: ELWIST 4012

PG7

<https://e-catalog.beldensolutions.com:443/link/57078-24228-256281-256292-256304-24445-24446-24272-36768/en/conf/ui/state>

| | |
|---------------------------------|-----------------------------------------------------------------------------------|
| Name | ELWIST 4012 PG7 |
| |  |
| | Angled cable plug, unassembled, strain relief by means of clamping cage |
| Delivery informations | |
| Availability | available |
| Product description | |
| Description | Angled cable plug, unassembled, strain relief by means of clamping cage |
| Type | ELWIST 4012 PG7 |
| Order No. | 933 165-100 |
| Type of contact | male |
| Number of contacts | 4 |
| Cable gland | PG 7 |
| Standard | IEC 61076-2-101 (Ed. 1)/ IEC 60947-5-2 |
| Housing Color | black |
| Technical data | |
| Pin dimensions | 1 mm |
| Rated voltage | AC/DC 250 V |
| Rated current | 4 A (2 A at 0.14 mm ²) |
| Type of termination | screw |
| Suitable cables | diameter 4 mm to 6 mm, max. 0.75 mm ² |
| Material | |
| Contact material | Cu Zn |
| Contact surface material | Sn |
| Contact bearer material | PA |
| Housing material | PA |
| Coupling nut material | Zn Al/Ni |
| O-Ring | NBR |
| Environmental conditions | |
| Protection class (IEC 60529) | IP 67 |
| Pollution severity | 3 |
| Temperature range | -25 °C to +90 °C |
| Inflammability class | |
| Housing | 94 V-2 |
| Contact bearer | 94 V-2 |
| Packing unit | |
| Packaging unit | 100 pieces |



HIRSCHMANN

A BELDEN BRAND

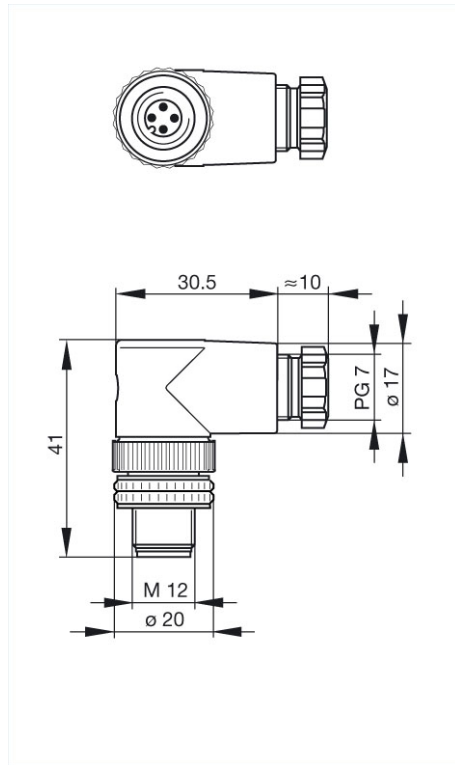
Industrial Connecting Solutions: Circular Connectors: M8 - M12 Connectors: M12 Connectors: M12 Circular connector (M12 E-Series)-with screw locking: Angled cable plug, self-assembled: ELWIST 4012

PG7

<https://e-catalog.beldensolutions.com:443/link/57078-24228-256281-256292-256304-24445-24446-24272-36768/en/conf/ui/istate>

Picture

Drawing



Belden Deutschland GmbH

Im Gewerbepark 2
58579 Schalksmühle
Germany
Phone: +49 7127/14-1806
E-Mail: icos-sales@belden.com

The information published in the websites has been compiled as carefully as possible. It is subject to alteration without notice in technical as well as in price-related/commercial respect. The complete information and data were available on user documentation. Mandatory information can only be obtained by a concrete query.