

# RF-12P1N8AWB00 - Device connector front mounting



1607804

<https://www.phoenixcontact.com/us/products/1607804>

Please be informed that the data shown in this PDF document is generated from our online catalog. Please find the complete data in the user documentation. Our general terms of use for downloads are valid.



Device connector front mounting, straight, Screw locking mechanism, M23, number of positions: 12, contact connection type: Pin, Axial O-ring, 4x Ø 3.2, shielded: yes, degree of protection: IP67, number of positions: 12, connection method: Crimp connection, series: RF

## Your advantages

- Safe use in the field, thanks to high degree of protection
- Connector for flexible on-site assembly
- Consistent EMC protection for reliable connection solutions in the industrial environment
- Crimping connection: vibration- and temperature-resistant assembly

## Commercial data

Item number	1607804
Packing unit	1 pc
Minimum order quantity	1 pc
Sales key	AB31
Product key	ABRAFL
Catalog page	Page 112 (C-2-2019)
GTIN	4046356174978
Weight per piece (including packing)	30.265 g
Weight per piece (excluding packing)	3.45 g
Customs tariff number	85366990
Country of origin	DE

1607804

<https://www.phoenixcontact.com/us/products/1607804>

## Technical data

### Notes

Order information:	Order crimp contacts Ø 1 mm separately
--------------------	--

### Mounting

Mounting type	Front mounting
Mounting	4x Ø 3.2

### Product properties

Product type	Circular connectors (device side)
Series	RF
Application	Signal Signal
Number of positions	12
Connection profile	12
Shielded	yes
Coding	N
Thread type	M23

### Material specifications

Seal material	FPM
Housing material	Turned parts: copper zinc alloy (CuZn), die-cast parts: zinc (GD-Zn)
Insulator material	PA 6.6
Gasket and O-ring material	FPM

### Electrical properties

#### Contact

Contact diameter	1 mm
Max. current	8 A
Nominal voltage $U_N$	48 V AC 74 V DC
Overvoltage category	III
Degree of pollution	3
Rated surge voltage	1.5 kV

### Connection data

#### Conductor connection

Connection method	Crimp connection
Contact connection type	Pin

### Connector

Type	straight
------	----------

# RF-12P1N8AWB00 - Device connector front mounting



1607804

<https://www.phoenixcontact.com/us/products/1607804>

Direction of rotation	Standard
-----------------------	----------

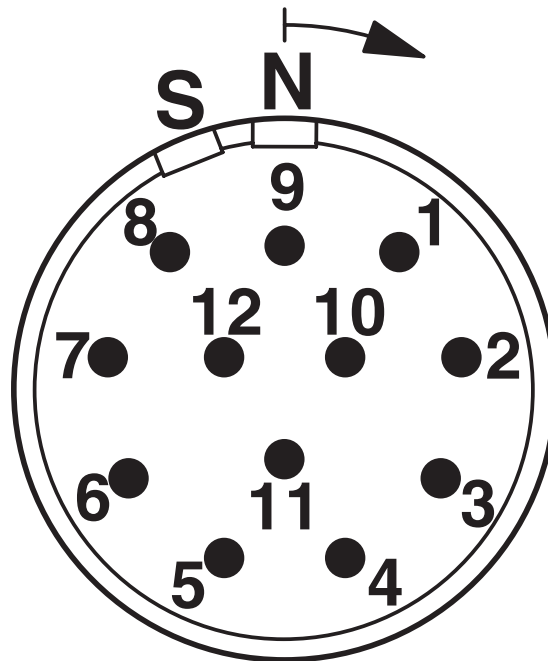
## Environmental and real-life conditions

### Ambient conditions

Degree of protection	IP67
Ambient temperature (operation)	-20 °C ... 125 °C
Altitude	2000 m

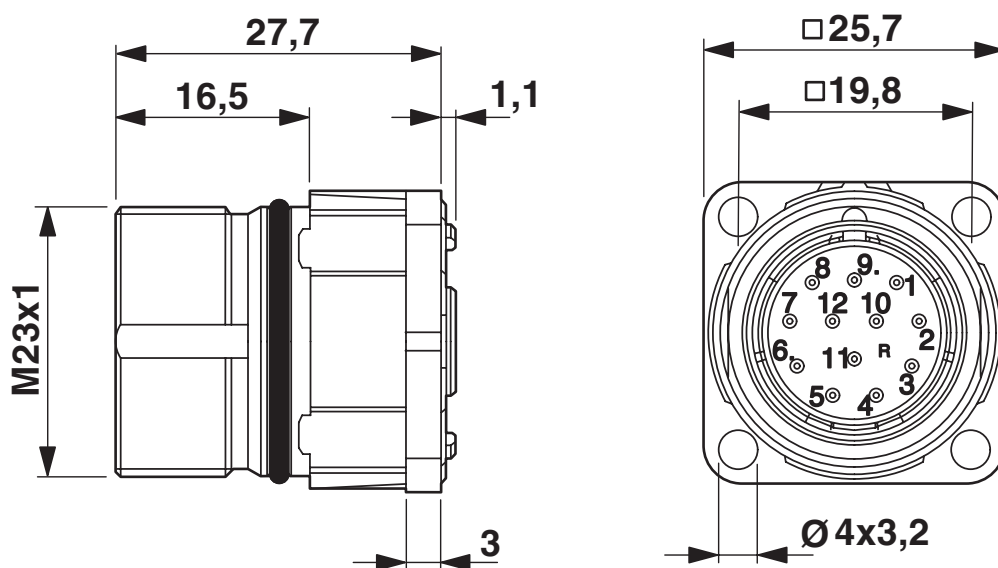
Drawings

Schematic diagram



Contact chamber numbering (view of plug-in side), standard pin

Dimensional drawing



Dimensional drawing

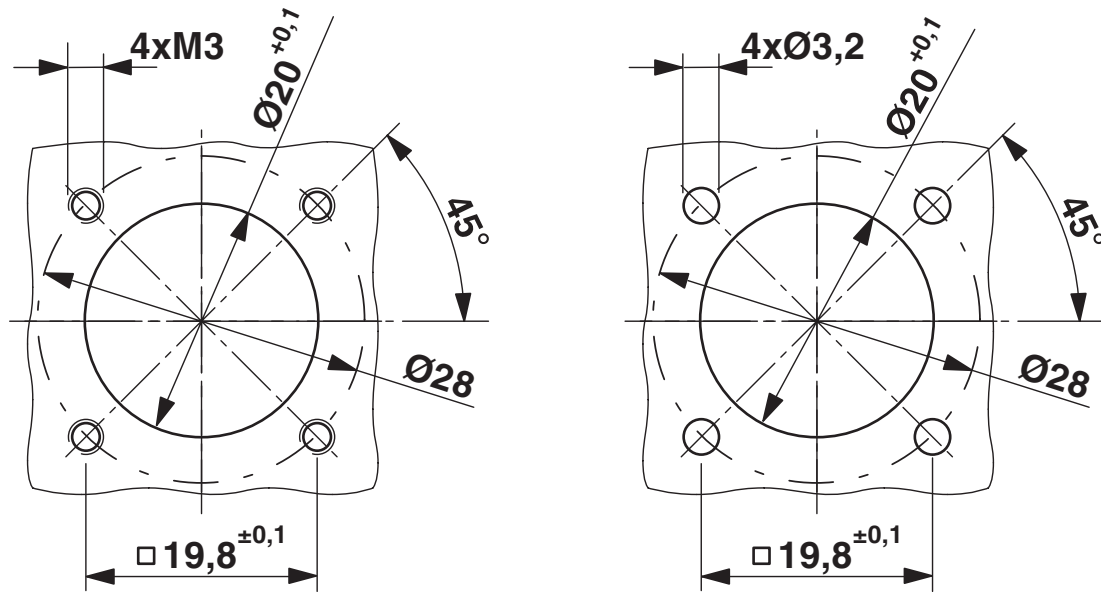
# RF-12P1N8AWB00 - Device connector front mounting



1607804

<https://www.phoenixcontact.com/us/products/1607804>

Dimensional drawing



Installation dimensions

# RF-12P1N8AWB00 - Device connector front mounting





1607804

<https://www.phoenixcontact.com/us/products/1607804>

## Approvals

To download certificates, visit the product detail page: <https://www.phoenixcontact.com/us/products/1607804>

 <b>cUL Recognized</b> Approval ID: E153698-20090723				
	Nominal voltage $U_N$	Nominal current $I_N$	Cross section AWG	Cross section $\text{mm}^2$
	48 V	5 A	20 - 20	-

 <b>UL Recognized</b> Approval ID: E153698-20090723				
	Nominal voltage $U_N$	Nominal current $I_N$	Cross section AWG	Cross section $\text{mm}^2$
	48 V	5 A	20 - 20	-

<b>cULus Recognized</b>				
-------------------------	--	--	--	--

# RF-12P1N8AWB00 - Device connector front mounting



1607804

<https://www.phoenixcontact.com/us/products/1607804>

## Classifications

### ECLASS

ECLASS-11.0	27440102
ECLASS-12.0	27440116
ECLASS-13.0	27440116

### ETIM

ETIM 9.0	EC002635
----------	----------

### UNSPSC

UNSPSC 21.0	39121400
-------------	----------

1607804

<https://www.phoenixcontact.com/us/products/1607804>

## Environmental product compliance

### EU RoHS

Fulfills EU RoHS substance requirements	Yes, No exemptions
---	--------------------

### China RoHS

Environment friendly use period (EFUP)	EFUP-E
	No hazardous substances above the limits

### EU REACH SVHC

REACH candidate substance (CAS No.)	No substance above 0.1 wt%
-------------------------------------	----------------------------

1607804

<https://www.phoenixcontact.com/us/products/1607804>

## Accessories

### SF-6CP2000 - Crimp contact

1605559

<https://www.phoenixcontact.com/us/products/1605559>



Crimp contact, Pin, turned, Single contact, contact diameter: 1 mm, crimp range: 0.06 mm<sup>2</sup> ... 0.25 mm<sup>2</sup>, Alternative product in accordance with RoHS II without Exemption 6c (Pb < 0.1 %) item no.: 1241921

---

### SF-10KP004 - Crimp contact

1607355

<https://www.phoenixcontact.com/us/products/1607355>



Crimp contact, Pin, turned, Single contact, contact diameter: 1 mm, crimp range: 0.14 mm<sup>2</sup> ... 0.5 mm<sup>2</sup>, Alternative product in accordance with RoHS II without Exemption 6c (Pb < 0.1 %) item no.: 1241921

# RF-12P1N8AWB00 - Device connector front mounting



1607804

<https://www.phoenixcontact.com/us/products/1607804>

## SF-6AP2000 - Crimp contact

1605554

<https://www.phoenixcontact.com/us/products/1605554>



Crimp contact, Pin, turned, Single contact, contact diameter: 1 mm, crimp range: 0.25 mm<sup>2</sup> ... 1 mm<sup>2</sup>, Alternative product in accordance with RoHS II without Exemption 6c (Pb < 0.1 %) item no.: 1241921

---

## SF-Z0019 - Protective cap

1607449

<https://www.phoenixcontact.com/us/products/1607449>



Plastic protection cap, with eye, IP40 for connectors with M23 external thread, RF, SF series

# RF-12P1N8AWB00 - Device connector front mounting



1607804

<https://www.phoenixcontact.com/us/products/1607804>

## RC-Z2469 - Protective cap

1611797

<https://www.phoenixcontact.com/us/products/1611797>



Plastic protection cap, antistatic, for RF, SF, CA, RC series connectors, with M23 external thread

---

## RC-Z2068 - Metal protective cap

1604236

<https://www.phoenixcontact.com/us/products/1604236>



Metal protective cap, M23, degree of protection: IP67, series: RC, UC, RF, SF, NC, RM, Alternative product in accordance with RoHS II without Exemption 6c (Pb < 0.1 %) item no.: 1241735

# RF-12P1N8AWB00 - Device connector front mounting



1607804

<https://www.phoenixcontact.com/us/products/1607804>

## RC-Z2104 - Metal protective cap

1604260

<https://www.phoenixcontact.com/us/products/1604260>



Metal protective cap, M23, degree of protection: IP67, series: RC, UC, RF, SF, NC, RM, Alternative product in accordance with RoHS II without Exemption 6c (Pb < 0.1 %) item no.: 1241739

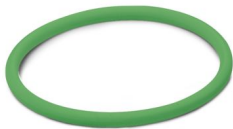
---

## RF-Z0017 - Color coding

1620624

<https://www.phoenixcontact.com/us/products/1620624>

Color coding, color: green



# RF-12P1N8AWB00 - Device connector front mounting



1607804

<https://www.phoenixcontact.com/us/products/1607804>

## RF-Z0018 - Color coding

1620625

<https://www.phoenixcontact.com/us/products/1620625>

Color coding, color: orange



---

## RF-Z0019 - Color coding

1620626

<https://www.phoenixcontact.com/us/products/1620626>

Color coding, color: anthracite



# RF-12P1N8AWB00 - Device connector front mounting



1607804

<https://www.phoenixcontact.com/us/products/1607804>

## RF-Z0001 - Contact removal tool

1607904

<https://www.phoenixcontact.com/us/products/1607904>



Unlocking tool for contact carriers for snapping in the M23 feedback device connectors

---

## PROT-M23PRO-OT-IP20 - Plastic protective cap

1055753

<https://www.phoenixcontact.com/us/products/1055753>



Plastic protective cap, M23, degree of protection: IP20, series: M23 PRO

---

Phoenix Contact 2024 © - all rights reserved

<https://www.phoenixcontact.com>

Phoenix Contact USA  
586 Fulling Mill Road  
Middletown, PA 17057, United States  
(+717) 944-1300  
[info@phoenixcon.com](mailto:info@phoenixcon.com)