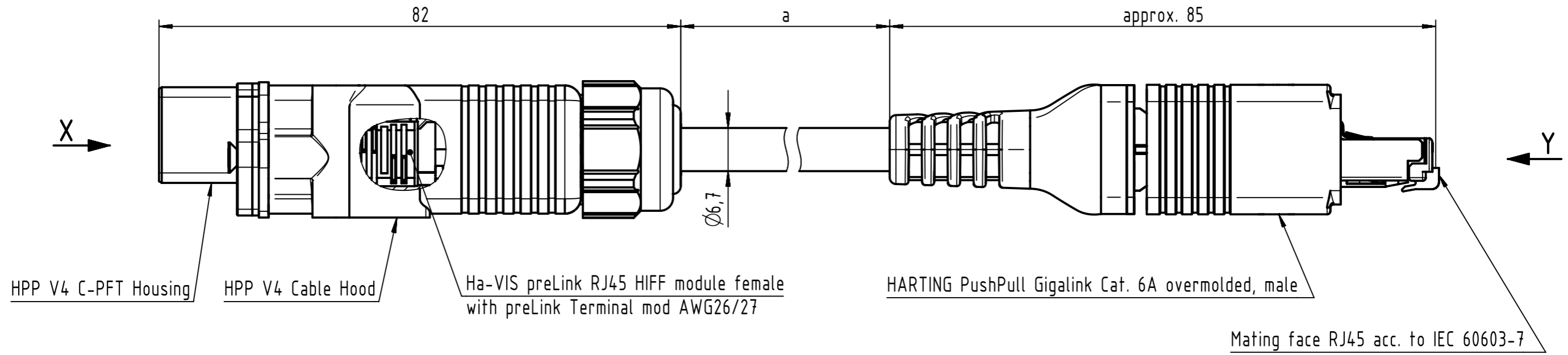


Connector Location A

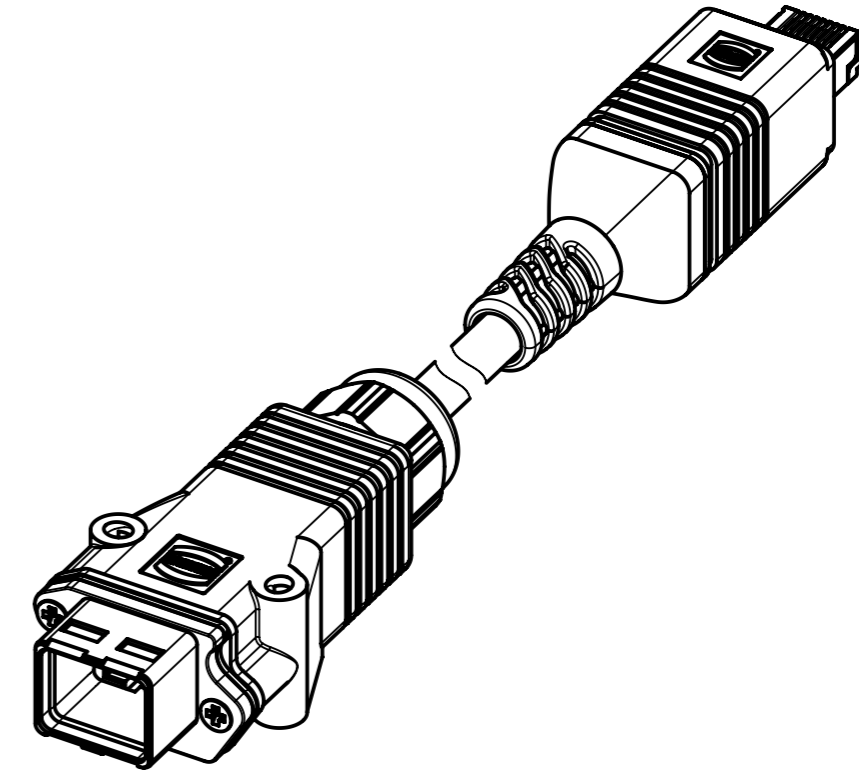
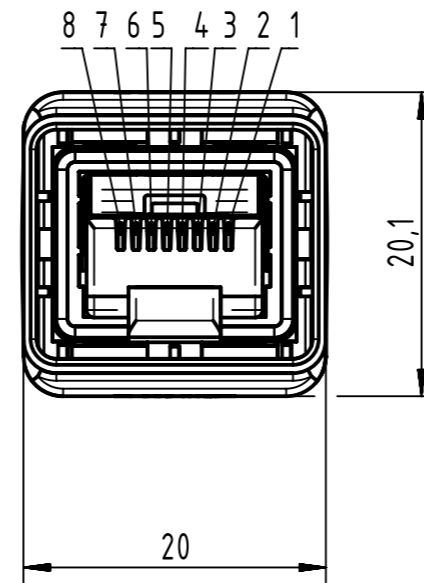
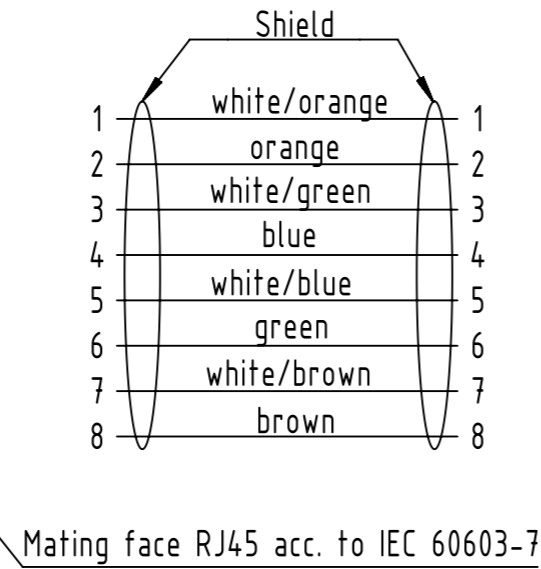
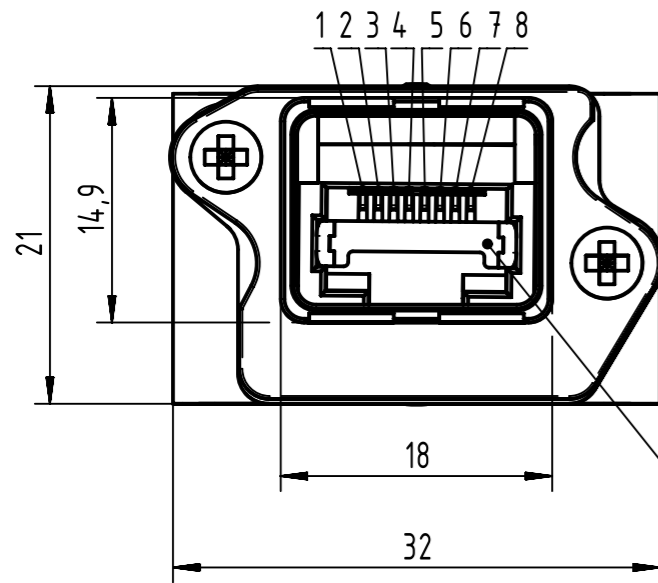
Connector Location B



X

Loading-Plan  
acc. to TIA/EIA 568B


Y




- Protection level: IP65/67
- Temperature range: -35°C ... +70°C

	All rights reserved		Created by COSTEA		Inspected by COSTEA		Standardisation MUNTEANV		Date 2018-03-08		State Final Release		
	Department HCS - RO		Title HARTING PushPull RJ45 Cable Assembly		Doc-Key / ECM-Nr. 100523352/UGD/001/C 500000132276		Rev. C		Page 1/2				
HARTING Customised Solutions D-32339 Espelkamp		Type TB		Number 3345232XXX0003									

1	2	3	4	5	6	7	8
RJ45 Ethernet stranded cable, AWG 26/7, 4x2x0.5/1.0, Cat. 6A, PUR, yellow							
19	3345232100003			10			
18	3345232080003			8			
17	33452320750003			7.5			
16	33452320500003			5			
15	33452320400003			4			
14	33452320350003			3.5			
13	33452320300003			3			
12	33452320250003			2.5			
11	33452320200003			2			
10	33452320150003			1.5			
9	33452320100003			1			
8	33452320090003			0.9			
7	33452320080003			0.8			
6	33452320070003			0.7			
5	33452320060003			0.6			
4	33452320050003			0.5			
3	33452320040003			0.4			
2	33452320030003			0.3			
1	33452320020003			0.2			
Cont. no.	Part no.	Type of cable		Dim. a [m]			

	All rights reserved		Created by COSTEA		Inspected by COSTEA		Standardisation MUNTEANV		Date 2018-03-08		State Final Release		
	Department HCS - RO		Title HARTING PushPull RJ45 Cable Assembly										
HARTING Customised Solutions D-32339 Espelkamp				Type TB		Number 3345232XXX0003				Rev. C		Page 2/2	

 All Dimensions in mm   
 Tech. Character.   
 Free size tol.   
 According to production drawing

Doc-Key / ECM-Nr.  
100523352/UGD/001/C  
500000132276