

SPECIFICATIONS  
MAKE-BEFORE-BREAK

MATERIALS:  
 ACTUATOR- POM, UL94HB BLACK  
 TERMINAL BOARD- PHENOLIC LAMINATED SHEET, UL94HB, NATURAL  
 FRAME- STEEL, NICKEL PLATE  
 TERMINAL/FIXED CONTACT- COPPER ALLOY, GOLD OR SILVER OVER NICKEL PLATE  
 MOVING CONTACT- COPPER ALLOY, GOLD OR SILVER OVER NICKEL PLATE  
 DETENT BALL- STEEL  
 COIL SPRING- GALVANIZED SPRING WIRE  
 SEAL- EPOXY

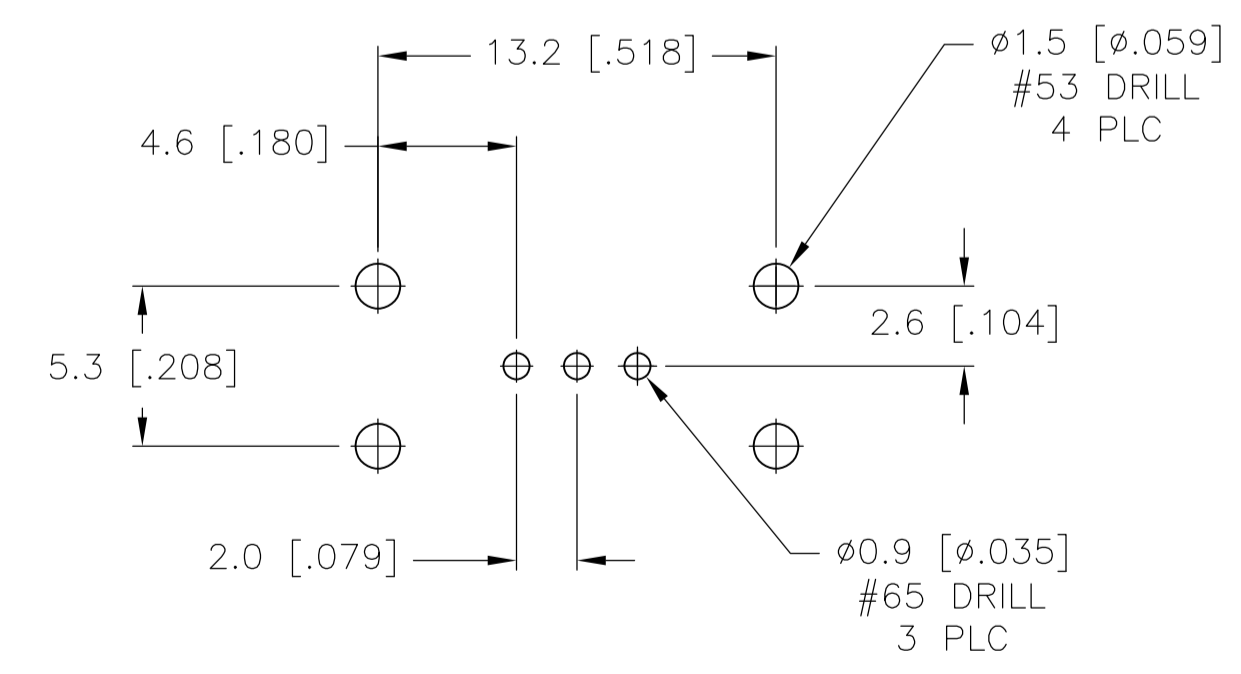
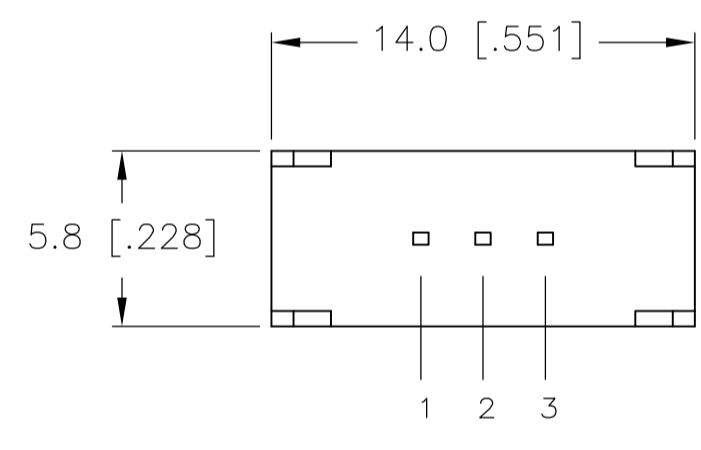
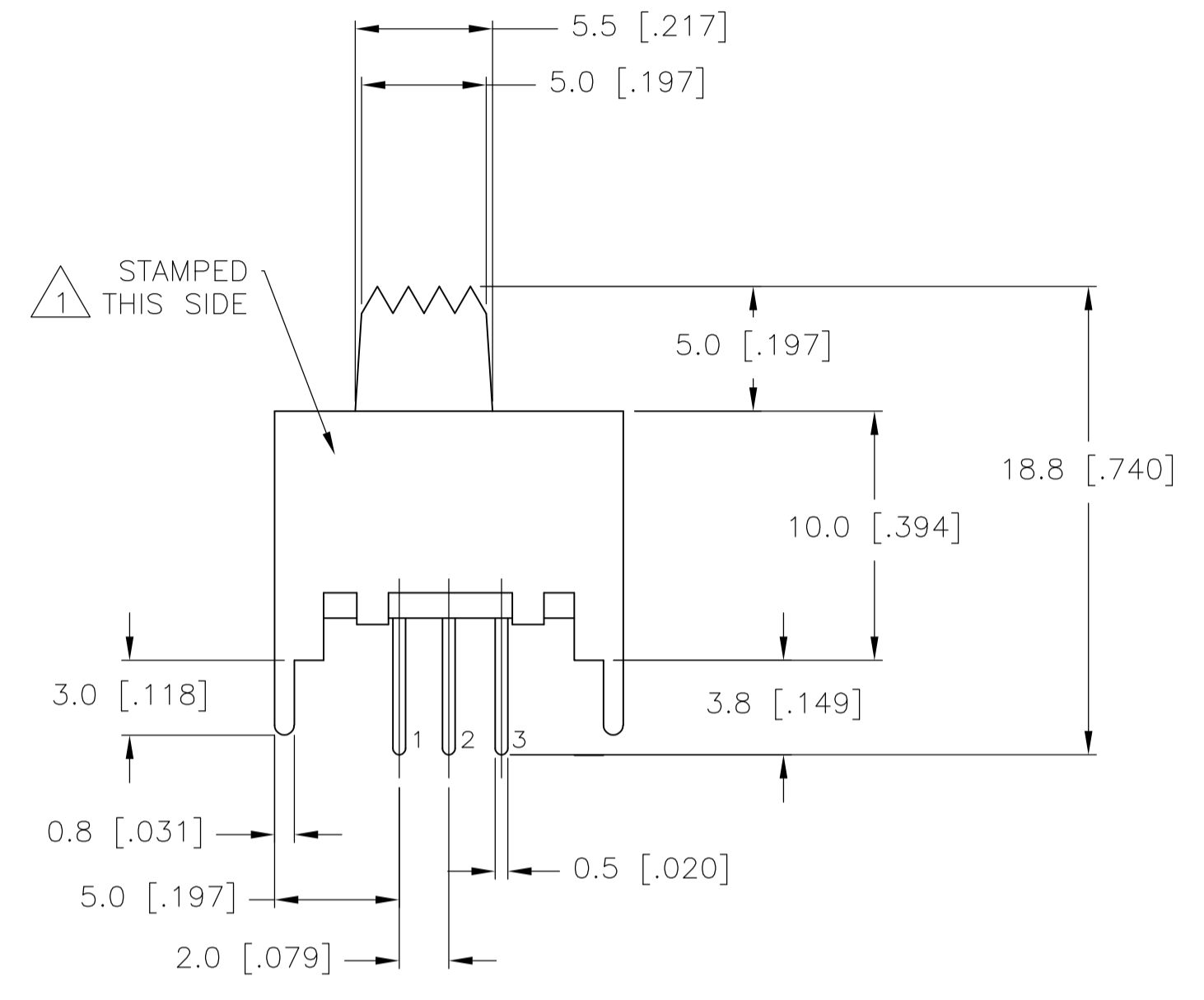
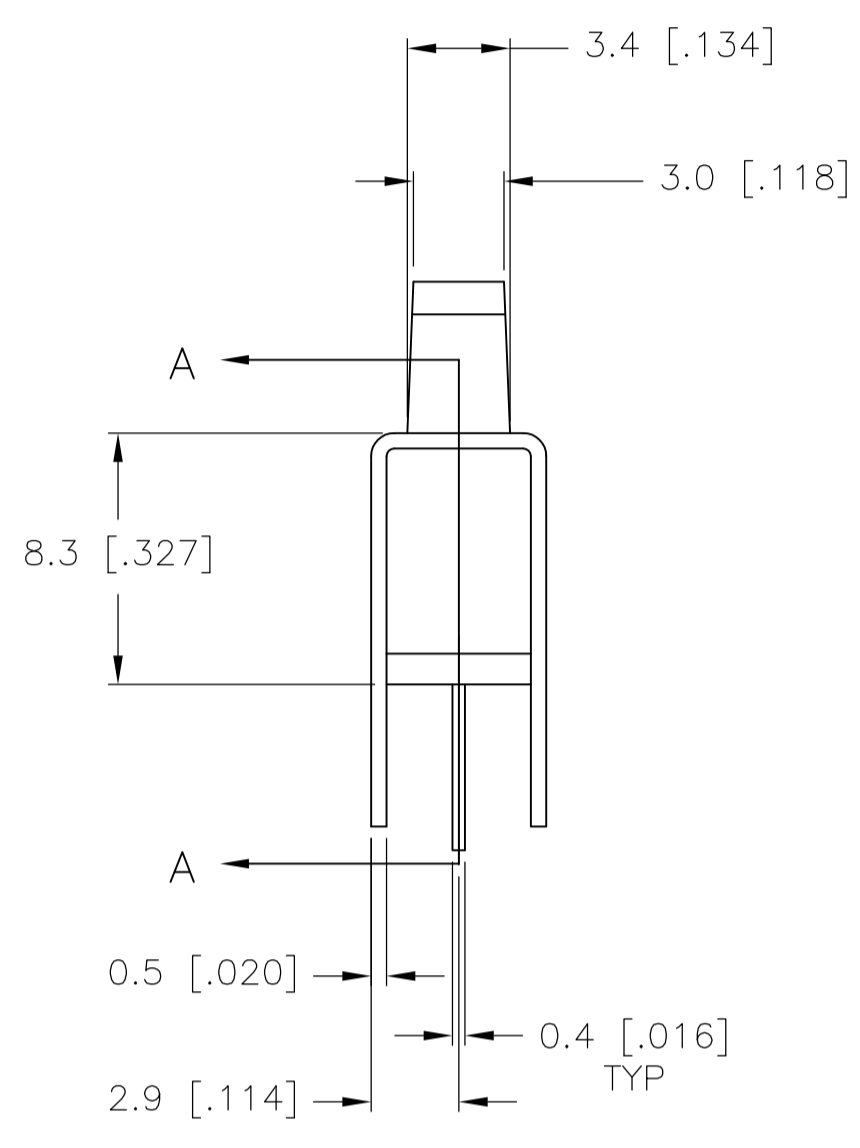
ELECTRICAL:  
 CONTACT RATING- .4VA@20VDC OR PEAK AC (GOLD); 300mA@125V AC (SILVER)  
 INITIAL CONTACT RESISTANCE- 30 milliohm max.  
 FINAL CONTACT RESISTANCE- 100 milliohm max. (AFTER TEST)  
 INSULATION RESISTANCE- 1,000 Megohms min.  
 DIELECTRIC STRENGTH- 500V RMS@SEA LEVEL  
 LIFE EXPECTANCY- 15,000 CYCLES MIN.

MECHANICAL:  
 ACTUATION FORCE- 600+/-300 GRAMS  
 TRAVEL- 2.0 +/- .50 (.079 +/- .020)

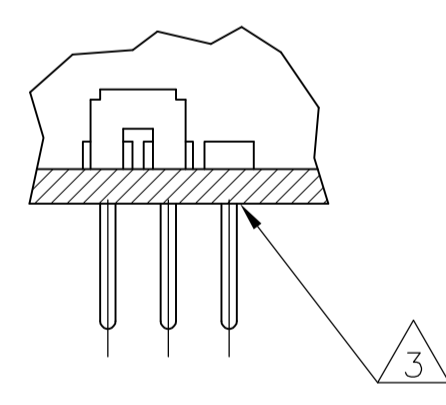
ENVIRONMENTAL:  
 OPERATING TEMPERATURE- -20 TO +85 DEGREES C  
 STORAGE TEMPERATURE- -40 TO +100 DEGREES C  
 RESISTANCE TO SOLDER HEAT PER 109-202, CONDITION B  
 SOLDERABILITY PER EIA-364-52, CLASS 2, CATEGORY 1, 95% MIN COVERAGE

NOTES:

- 1 COUNTRY OF ORIGIN AND TE CONNECTIVITY LOGO LOCATED APPROXIMATELY AS SHOWN
- 2 ALL MATERIALS AND FINISHES SHALL COMPLY WITH EU DIRECTIVE 2002/95/EC OF 27JAN2003 (ROHS)
- 3 ANTI SOLDER WICK SEAL AT TERMINAL TO BOARD INTERFACE
- 4 ALL PERFORMANCE TESTING WAS DONE IN ACCORDANCE TO TE CONNECTIVITY SPECIFICATION 102-2469



RECOMMENDED BOARD LAYOUT



SECTION A-A

1825257-2	MSS1200G04	GOLD	2 TO 1	2 TO 3
1825257-1	MSS120004	SILVER	2 TO 1	2 TO 3
PART NO.	T&B PART NO.	PLATING		
TERMINALS CONNECTED WHEN SLIDE IS IN POSITION SHOWN.				

THIS DRAWING IS A CONTROLLED DOCUMENT.		DIN R BROWN 20DEC05	TE Connectivity	
DIMENSIONS: mm		CHK M SARVER 20DEC05		
TOLERANCES UNLESS OTHERWISE SPECIFIED:		NAME M SARVER 20DEC05	SLIDE SWITCH, MSS 1200 SERIES, SP-DT, VERTICAL	
0 PLC ± -		APPLICATION SPEC	RESTRICTED TO	
1 PLC ± 0.3 [.012]		SIZE	A1	
2 PLC ± -		WEIGHT	1825257	
3 PLC ± -		CUSTOMER DRAWING	SCALE 4:1 SHEET 1 OF 1 REV A2	
4 PLC ± -				
ANGLES ± ±				
MATERIAL - FINISH -				

# Mouser Electronics

Authorized Distributor

Click to View Pricing, Inventory, Delivery & Lifecycle Information:

[TE Connectivity:](#)

[MSS1200G04](#)