

Housing - HC-HPR-B06-HHWH-1TTM25-EM-BK - 1411106

Please be informed that the data shown in this PDF Document is generated from our Online Catalog. Please find the complete data in the user's documentation. Our General Terms of Use for Downloads are valid (<http://phoenixcontact.com/download>)



Sleeve housing B6, with screw locking, material: Aluminum die-cast, cable outlets: 1, straight, height: 100.5 mm, cable gland: none, support sleeve: no, 1x M25, protective cover: no, Railway applications, for increased environmental and EMC requirements, Series HPR

Your advantages

- ✔ Vibration and shock: IEC 61373/EN 50155, category 1, class 1B



Key Commercial Data

Packing unit	1 pc
GTIN	
GTIN	4046356921404

Technical data

Dimensions

Height	100.5 mm
Width	58 mm
Length	132 mm

Ambient conditions

Degree of protection of housing (IP)	IP66
	IP68 (0.5 bar / 24 h)
	IP69K (ISO 20653:2013-02)
Ambient temperature (operation)	-40 °C ... 125 °C

General

Note	For contact inserts HC-B6, BB10, DD24, M Tall housings for extra large wiring space
Size	B6
Housing type	Sleeve housing
Color	black
Locking type	with screw locking

Housing - HC-HPR-B06-HHWH-1TTM25-EM-BK - 1411106

Technical data

General

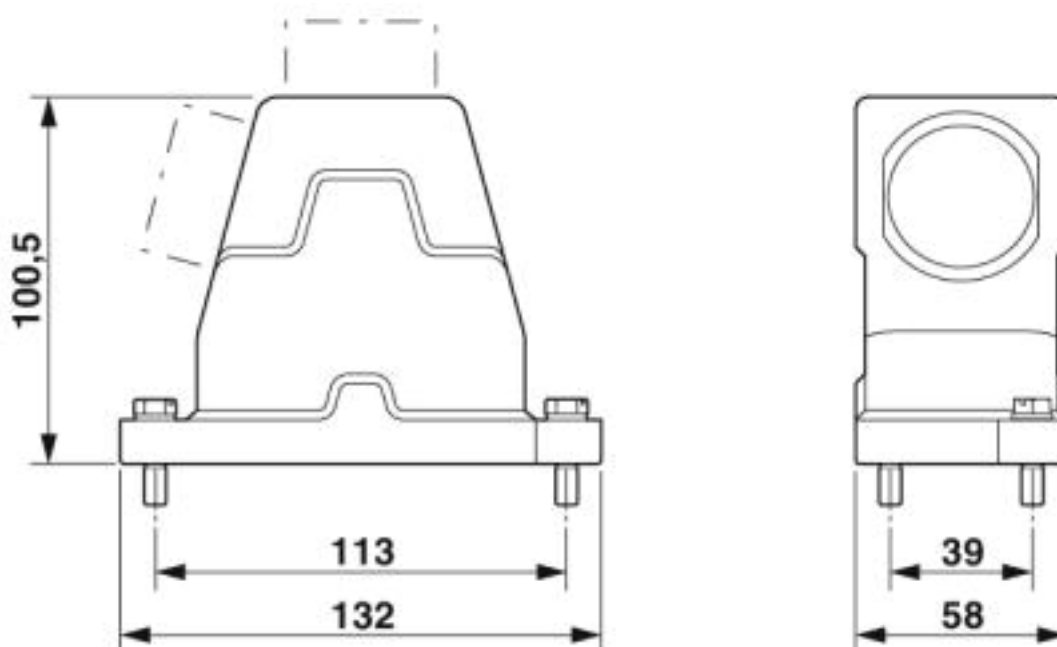
No. of cable outlets	1
Cable outlet	straight
Screw connection	none
Type of the screw connection	1x M25
Protective cover	no
Housing material	Aluminum die-cast
Housing surface material	Powder-coated, black
Seal material	NBR
Cable gland material	Stainless steel
Material of locking screw	Stainless steel
Assembly instructions	M6 locking screw, slotted hexagon head screw (SW10), tightening torque: 4 Nm

Environmental Product Compliance

China RoHS	Environmentally Friendly Use Period = 50
	For details about hazardous substances go to tab "Downloads", Category "Manufacturer's declaration"

Drawings

Dimensional drawing



Dimensional drawing

Housing - HC-HPR-B06-HHWH-1TTM25-EM-BK - 1411106

Approvals


Approvals

Approvals

EAC / DNV GL

Ex Approvals

Approval details

EAC			RU C- DE.AI30.B.01102
-----	---	--	--------------------------

DNV GL		https://approvalfinder.dnvgl.com/	TAE000037S
--------	--	---	------------

Phoenix Contact 2019 © - all rights reserved
<http://www.phoenixcontact.com>

PHOENIX CONTACT GmbH & Co. KG
Flachsmarktstr. 8
32825 Blomberg
Germany
Tel. +49 5235 300
Fax +49 5235 3 41200
<http://www.phoenixcontact.com>