

SUCOFLEX® 526S Microwave Cable Assembly

Description

SUCOFLEX 526S microwave cable assemblies set a new measurement standard through 26.5 GHz.

- Excellent return and insertion loss
- Phase and amplitude stability with flexure and movement
- Torque, crush and kink resistance
- Precise and repeatable measurements
- Long service life
- Reduce total cost of test with durable, reliable performance



Product Configuration

Description	SF526S/11PC35/11PC35/2000mm
Item number	85090625
Cable type	SUCOFLEX 526S
Length of assembly	2'000 mm
Connector A	11_PC3.5 (straight male)
Connector B	11_PC3.5 (straight male)

Technical Data

Mechanical Data

Outer diameter	7.7 mm
Min. bending radius	25.4 mm
Weight	306 g
Crush resistance	26 kgf /cm

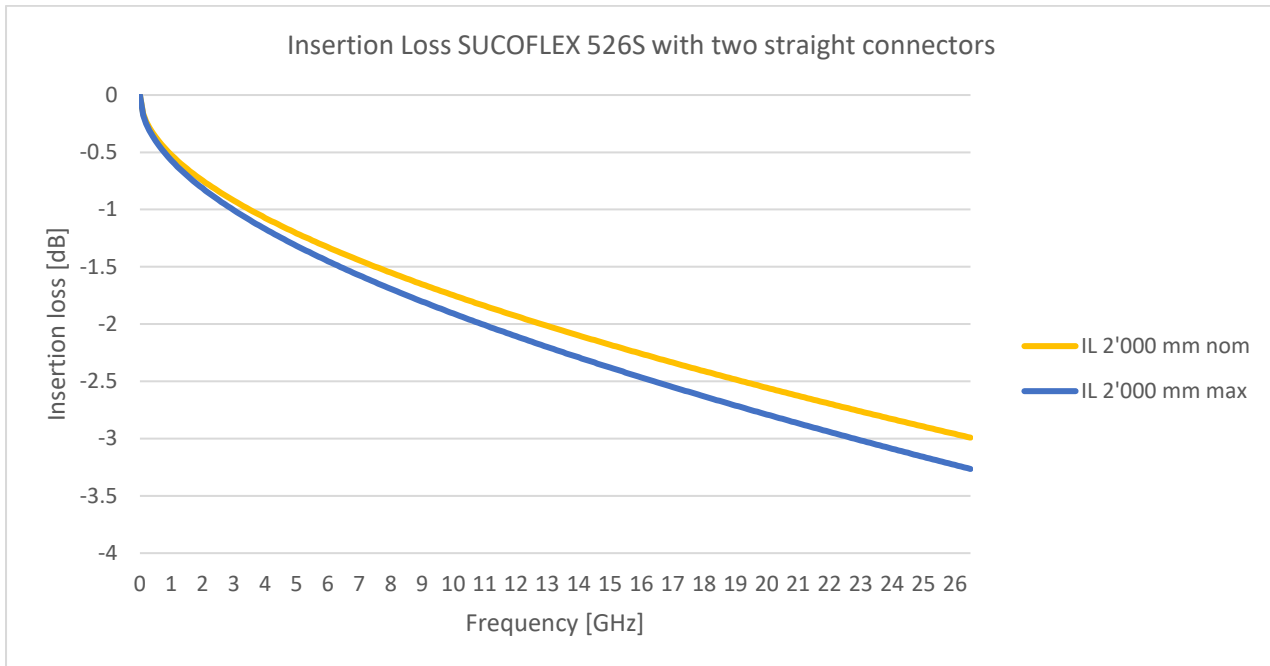
Environmental Data

Operating temperature	-55 ... + 125°C
RoHS, REACH	Compliant

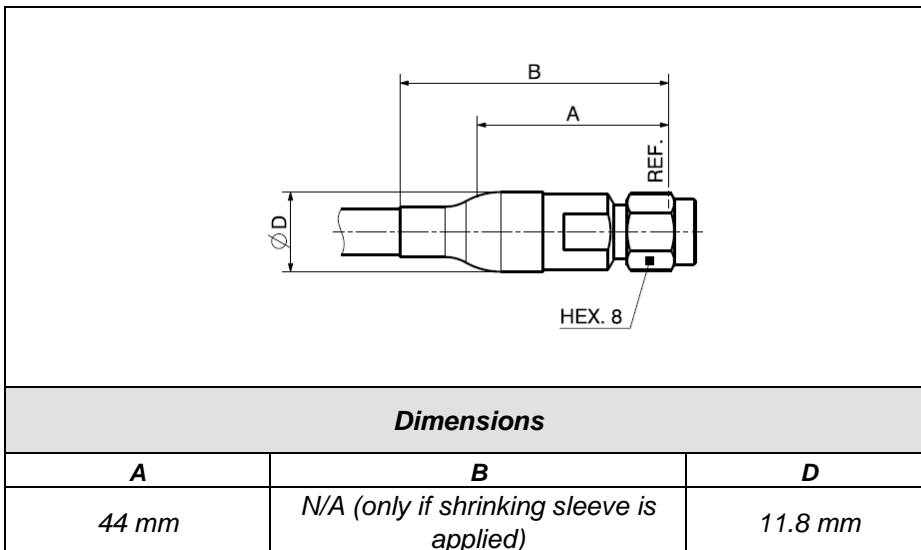
Electrical Data

Impedance	50 Ω
Operating frequency	up to 26.5 GHz
Velocity of propagation	77 %
Time delay	4.3 ns / m
Typical return loss	-25.0 dB
Min. return loss	-19.0 dB
Typical insertion loss	3.00 dB
Max. insertion loss	3.27 dB
Screening effectiveness	> 90 dB
Typ. amplitude stability vs. shaking	± 0.05 dB
Typ. amplitude stability vs. bending	± 0.05 dB
Typ. phase stability vs. bending	± 3.0°

SUCOFLEX® 526S Microwave Cable Assembly



Connector 11_PC3.5 (straight male)



Mouser Electronics

Authorized Distributor

Click to View Pricing, Inventory, Delivery & Lifecycle Information:

[HUBER+SUHNER:](#)

[SF526S/11PC35/11PC35/2000mm](#)