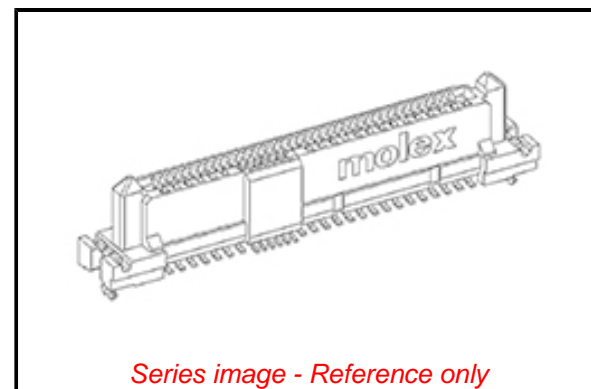


PLEASE CHECK WWW.MOLEX.COM FOR LATEST PART INFORMATION

Part Number: [0787771002](#)
Status: **Active**
Overview: Serial Attached SCSI (SAS) Connectors
Description: 1.27mm Signal Pitch, 0.80mm Signal Pitch, 1.27mm Power Pitch SAS-3/PCIe-3 Receptacle, Vertical, Surface Mount, with Forklock, 8.15mm Height, 1.00mm Peg Length, 2.36mm PCB Thickness, 68 Circuits, with Cap, Embossed Tape and Reel, Lead-Free



Documents:

3D Model	Application Specification AS-78777-001-001 (PDF)
Drawing (PDF)	Packaging Specification PK-78777-001-001 (PDF)
3D Model (PDF)	RoHS Certificate of Compliance (PDF)
Product Specification PS-78777-001-001 (PDF)	

Agency Certification

CSA	LR19980
UL	E29179

General

Product Family	I/O Connectors
Series	78777
Application	Board-to-Board
Comments	With Cap
Component Type	Receptacle
Electrical Model	Yes
Overview	Serial Attached SCSI (SAS) Connectors
Product Name	SAS-3/PCIe-3, U.2 (SFF-8639)
Type	N/A
UPC	887191393063

Physical

Circuits (Loaded)	68
Circuits Detail	Signal 53, Power 15
Color - Resin	Black
Durability (mating cycles max)	500
Flammability	94V-0
Gender	Female
Keying to Mating Part	Yes
Lock to Mating Part	None
Material - Metal	Copper Alloy
Material - Plating Mating	Gold
Material - Plating Termination	Matte Tin
Material - Resin	Liquid Crystal Polymer
Net Weight	1.835/g
Number of Rows	2
Orientation	Vertical
PCB Locator	Yes
PCB Retention	Yes
PCB Thickness - Recommended	2.36mm
Packaging Type	Embossed Tape on Reel
Panel Mount	No
Pitch - Mating Interface	0.80mm, 1.27mm
Pitch - Termination Interface	0.80mm, 1.27mm
Plating min - Mating	0.762µm
Plating min - Termination	2.540µm
Polarized to Mating Part	Yes
Polarized to PCB	Yes

EU ELV

Not Relevant

EU RoHS

Compliant

REACH SVHC

Not Contained Per -
D(2020)9139-DC (19
Jan 2021)

Halogen-Free

Status

Low-Halogen

For more information, please visit [Contact US](#)

China ROHS

ELV

RoHS Phthalates

China RoHS

Green Image

Not Relevant

Not Contained

Search Parts in this Series

[78777 Series](#)

Mates With

U.2 (SFF-8639) Plugs|SFF-8482 and
SFF-8680 Plugs|SAS / SATA Plugs

Surface Mount Compatible (SMC)	Yes
Temperature Range - Operating	0° to +55°C
Termination Interface: Style	Surface Mount

Electrical

Current - Maximum per Contact	1.5A
Voltage - Maximum	30V

Solder Process Data

Duration at Max. Process Temperature (seconds)	010
Lead-free Process Capability	REFLOW
Max. Cycles at Max. Process Temperature	001
Process Temperature max. C	260

Material Info**Reference - Drawing Numbers**

Application Specification	AS-78777-001-001
Electrical Model Document	EE-78777-001-001
Packaging Specification	PK-78777-001-001
Product Specification	PS-78777-001-001
S-Parameter Model	SP-78777-001-001
Sales Drawing	SD-78777-101-000

This document was generated on 07/02/2021

PLEASE CHECK WWW.MOLEX.COM FOR LATEST PART INFORMATION