

15 WKLS 40

Jack connectors



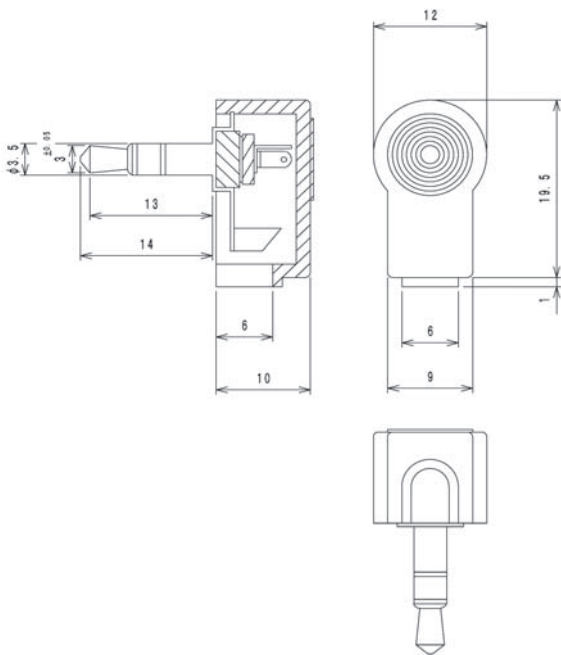
Jack plug acc. to JIS C 6560 JC35P3, 3.5 mm, 3 poles/  
stereo, angular version, with solder terminals

---

State: Active

---

15 WKLS 40



**Environmental conditions**

Temperature range -20 °C/+70 °C

**Materials**

Insulating body	PC
Contact	CuZn/steel, nickel-plated
Insulation	ebonite
Housing	PE

**Connectable conductors for solder area**

Cable diameter 4 mm

**Electrical data (at T<sub>amb</sub> 20 °C)**

Rated current	1 A
Rated voltage	34 V AC/DC
Rated impulse voltage	500 V/60 s
Insulation resistance	≥ 100 MΩ

**Associated products**

Counterparts

☞ 1502 01	☞ 1503 02	☞ 1503 03
☞ 1503 07	☞ 1503 08	☞ 1503 09
☞ 1503 17	☞ 1503 18	☞ 1520 01
☞ 1520 02	☞ 4510	☞ 4511
☞ KLB 4	☞ KLBR 4	

15

WKLS 40

Designation	Pole Number	PU (Pieces)	MDQ (Pieces)
WKLS 40	3	100	500

**Packaging:**

in bulk, in a cardboard box or a plastic bag