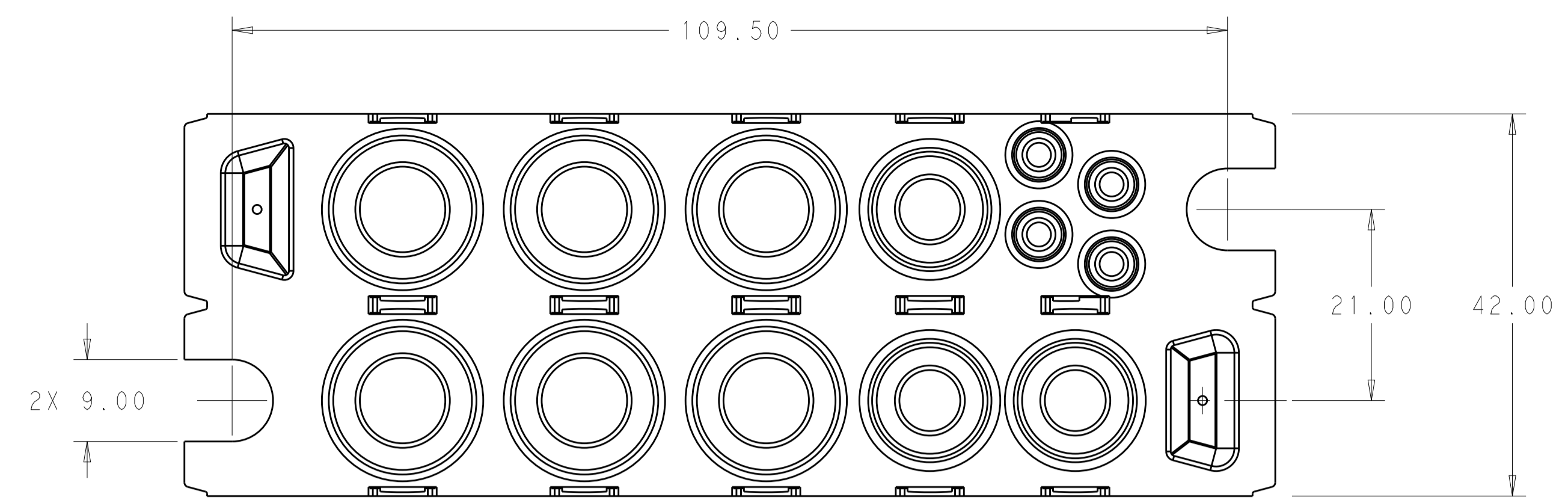
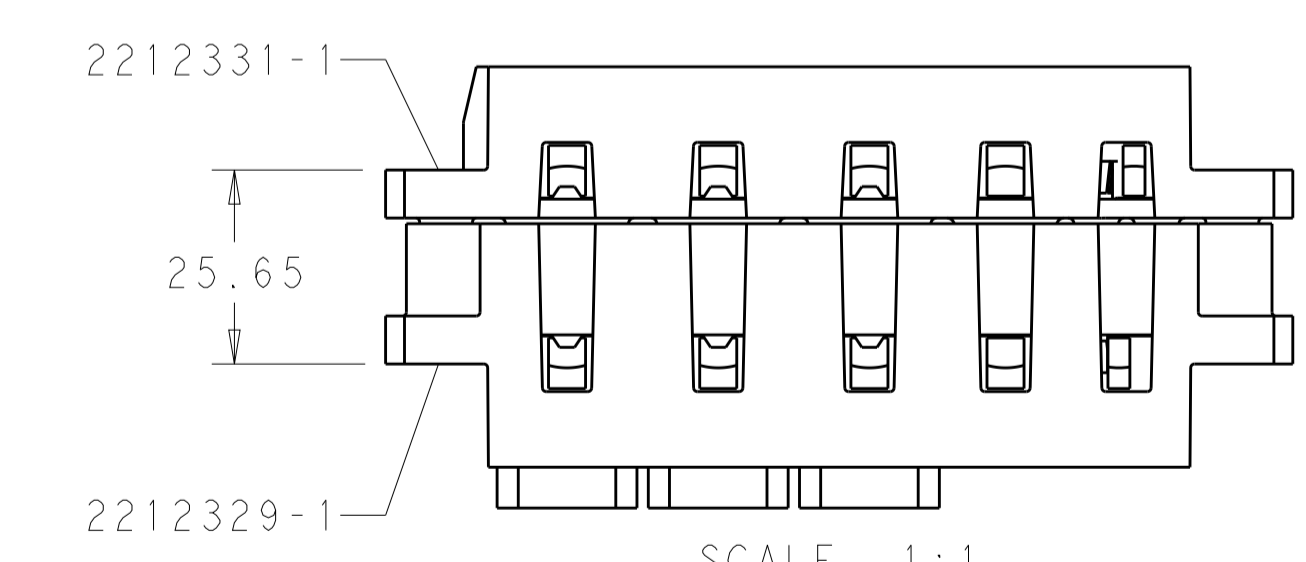
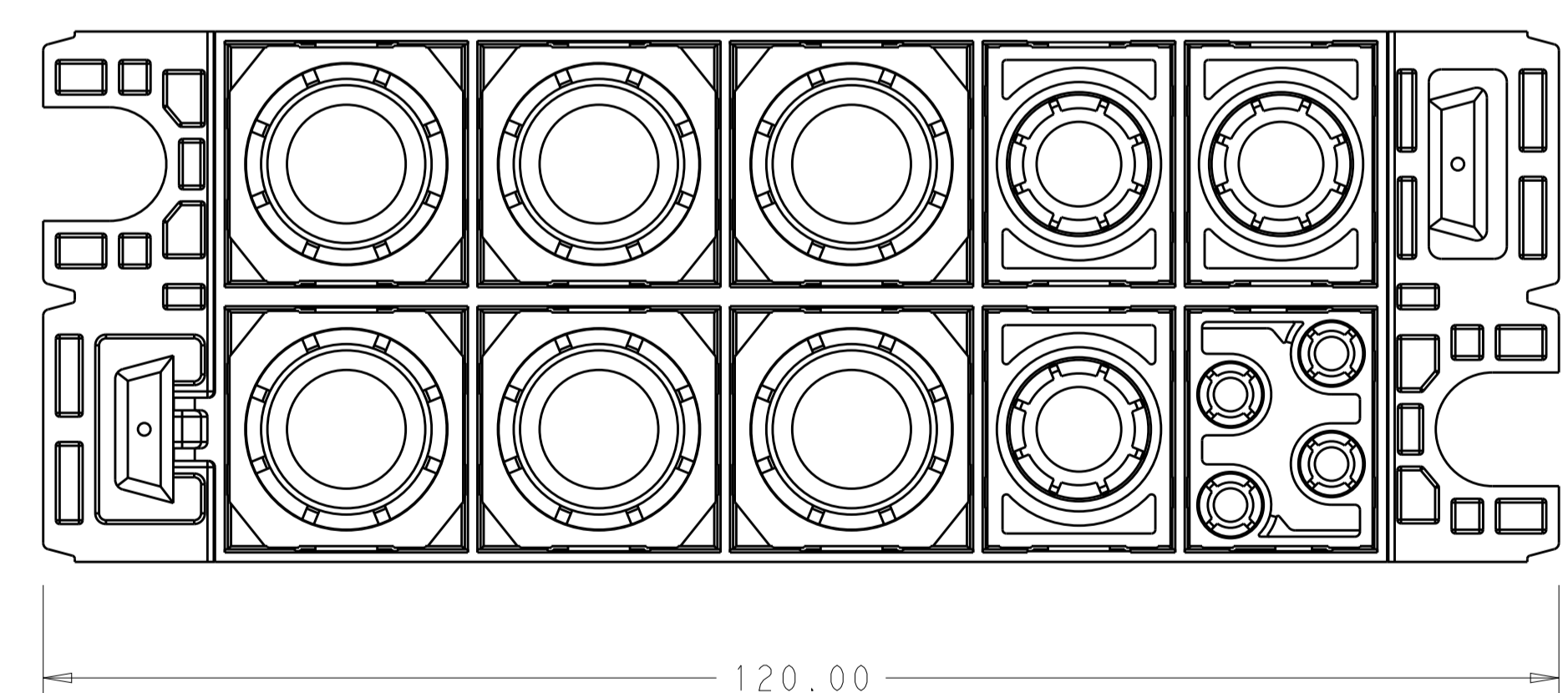
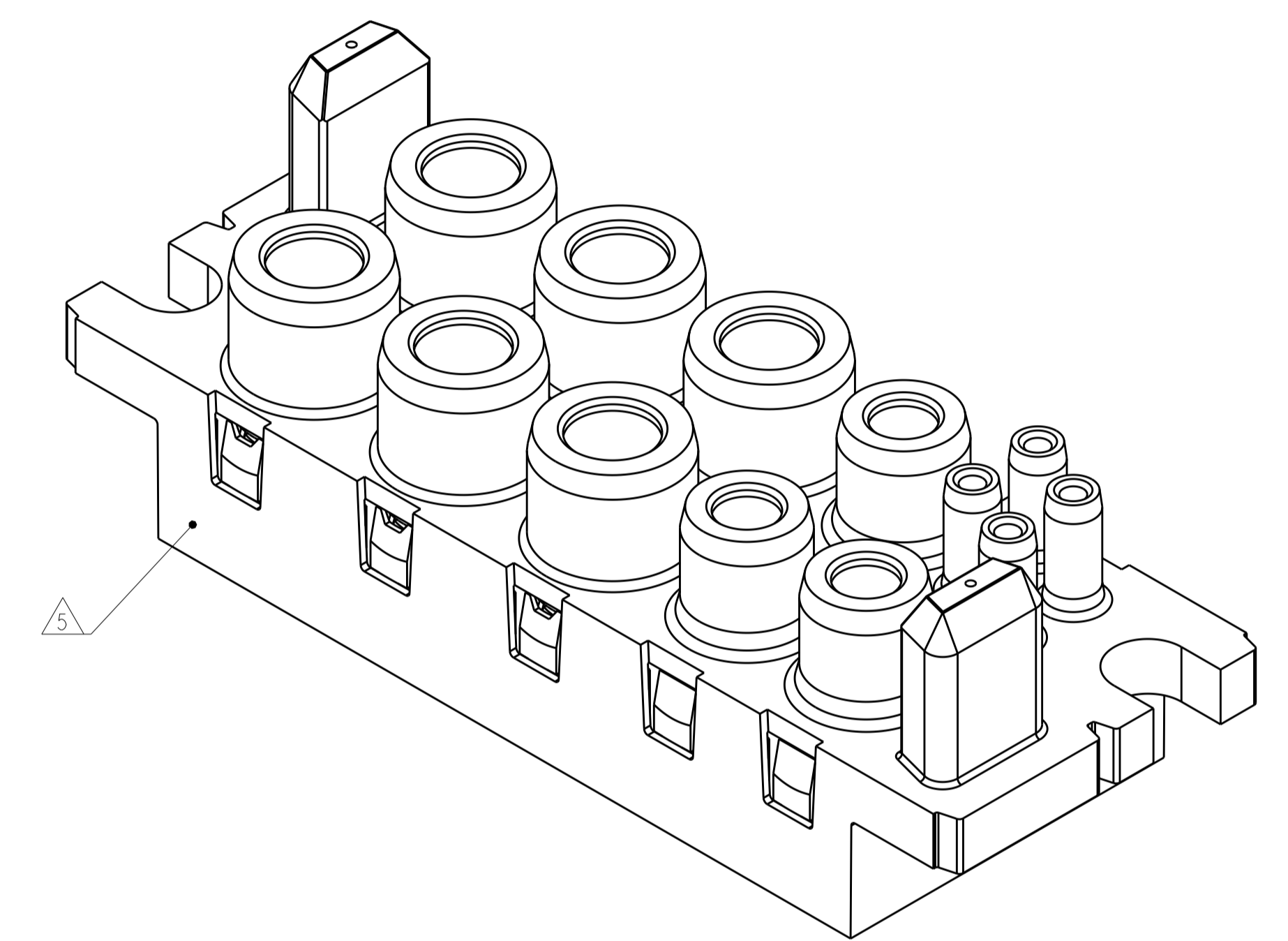
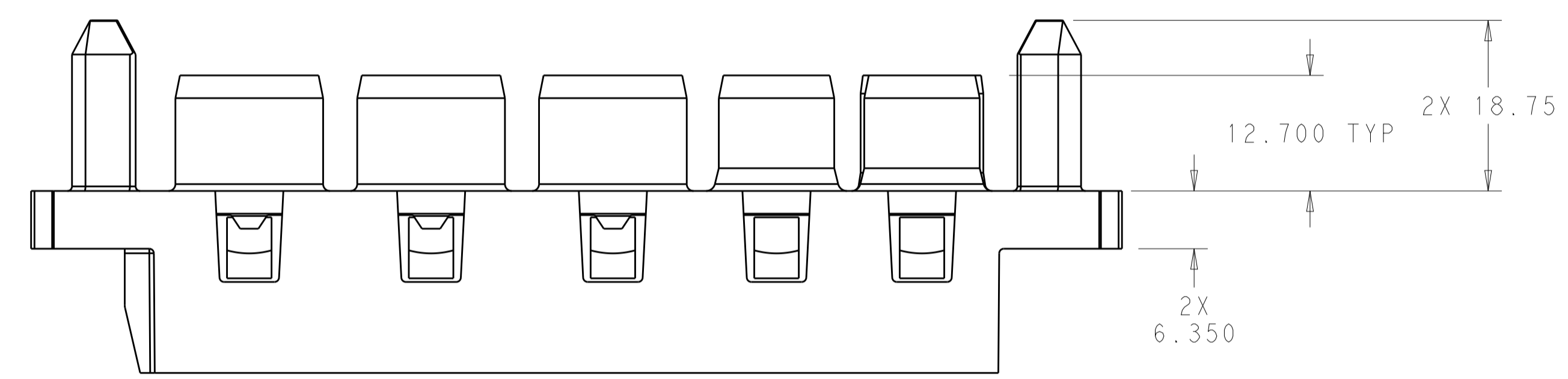
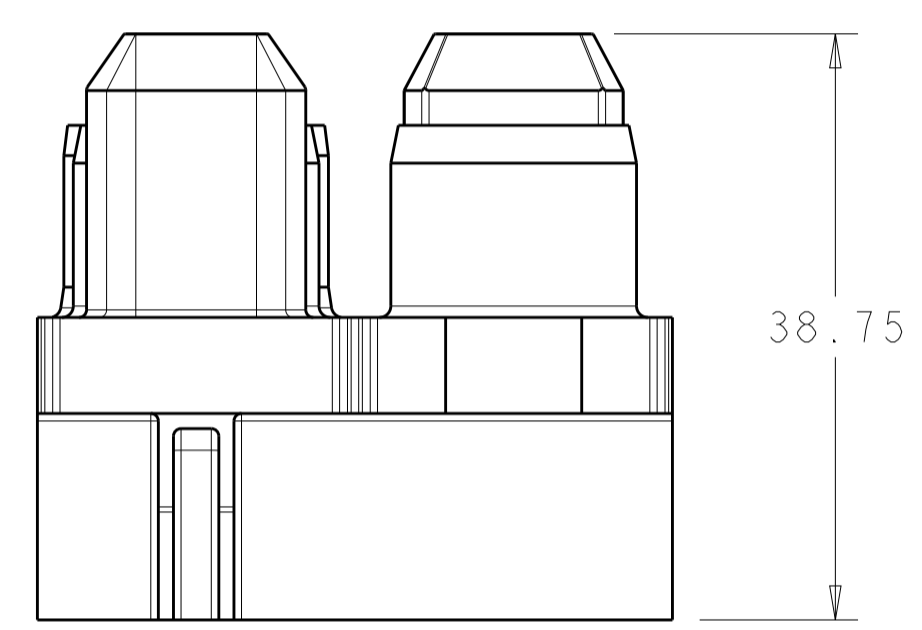


LOC		DIST		REVISIONS			
				REV	DATE	BY	APPV



- △ HOUSING: THERMOPLASTIC, COLOR BLACK, FLAMMABILITY RATING UL 94 V-0.
- △ THIS ASSEMBLY TO MATE WITH TEC PART NUMBER 2212329-1.
- 3. RECOMMENDED SHOULDER SCREW:  
 2212056, FLOAT MOUNT  
 2212055, FIXED MOUNT
- △ RECOMMENDED PANEL CUTOUT FOR FRONT PANEL MOUNT APPLICATION.  
 RECOMMENDED PANEL THICKNESS 1.5 TO 1.78.
- △ DATE CODE AND PART NUMBER IN APPROXIMATE AREA SHOWN.



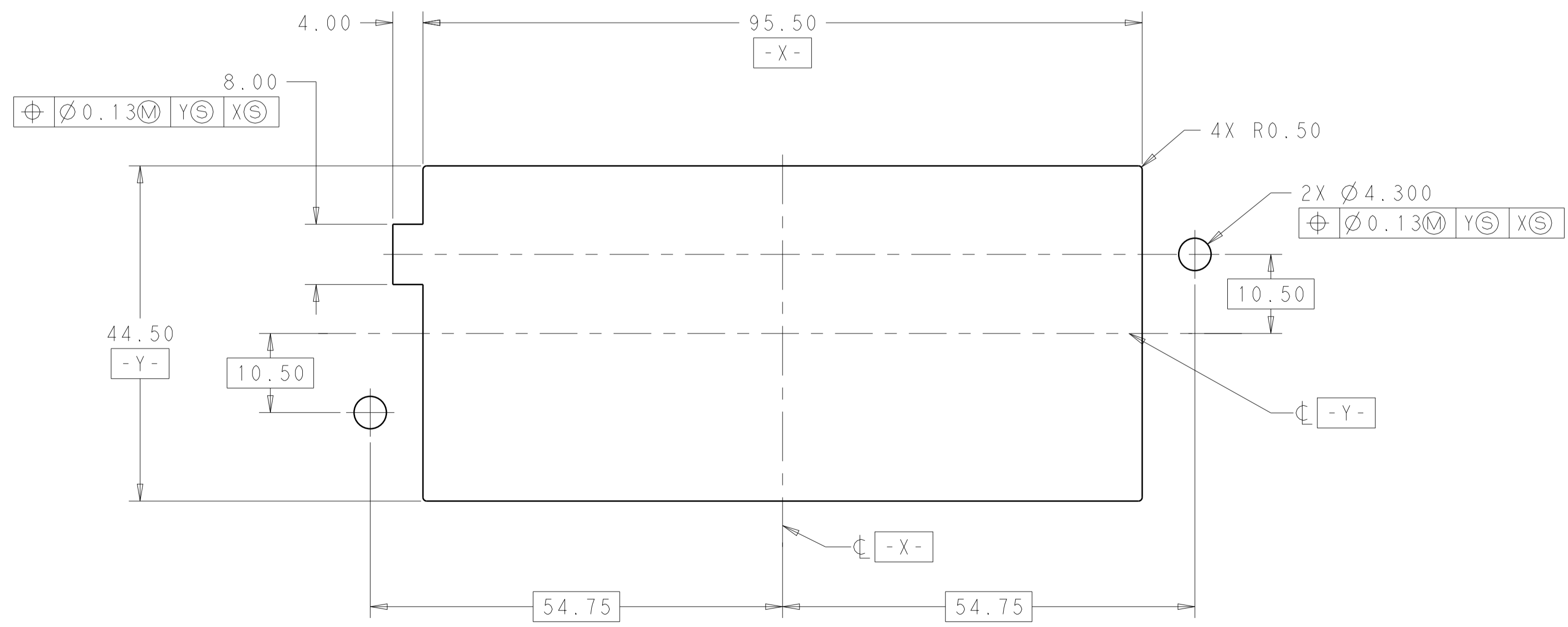
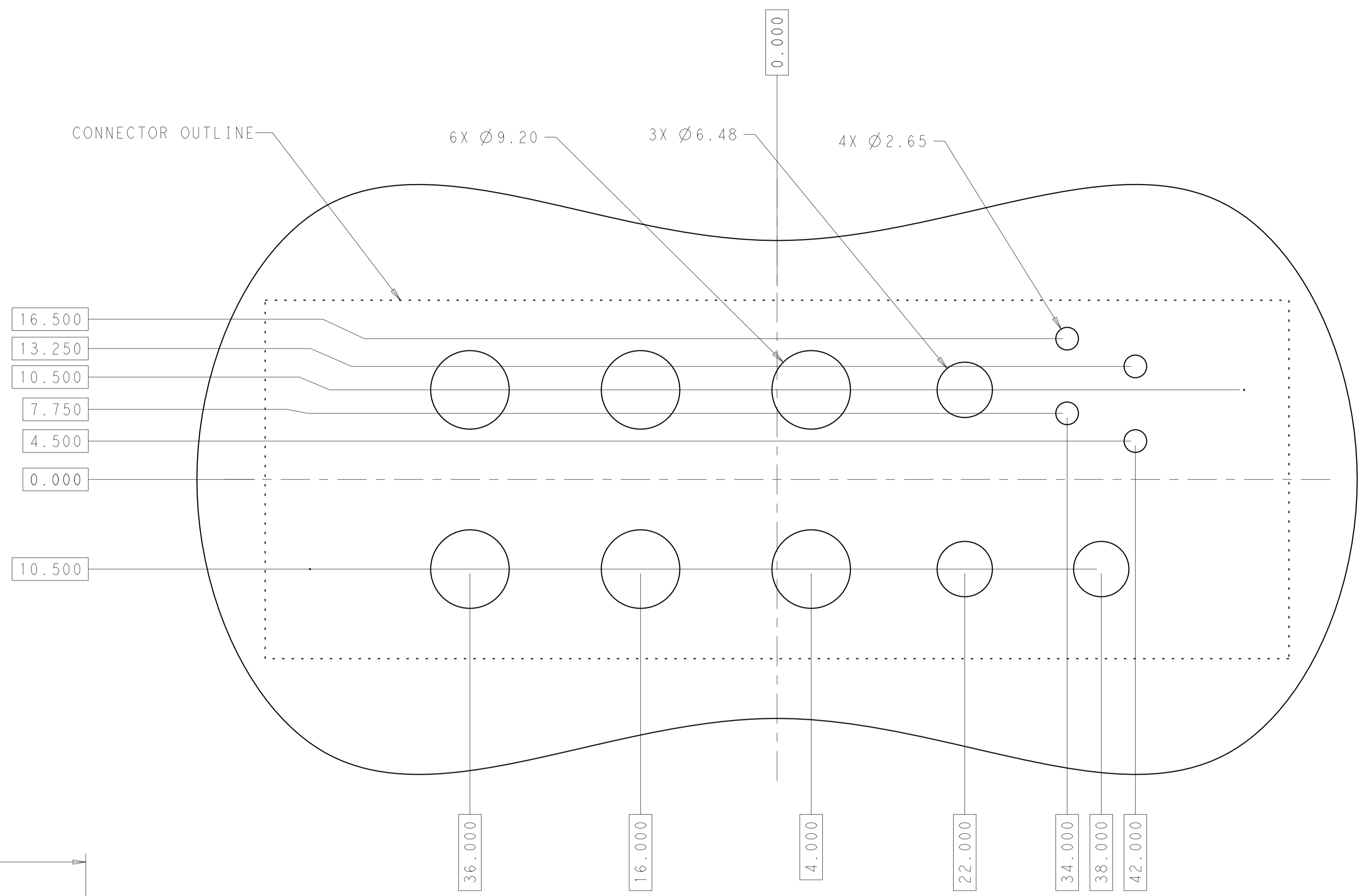
SCALE 1:1  
 FULLY MATED ASSEMBLIES △

CONNECTOR, SOCKET, FORGE 6x#0,3x#4,0x#8,1x#12,0x#22,	2212331-1
DESCRIPTION	PART NO.

THIS PRINT IS  
**PRELIMINARY**  
 UNQUALIFIED PRODUCT  
 CONTACT PRODUCT ENGINEERING  
 BEFORE USING THIS PRINT

THIS DRAWING IS A CONTROLLED DOCUMENT.		OWN: IR	27JAN2015
DIMENSIONS: mm		CHK: E WICKERS	27JAN2015
TOLERANCES UNLESS OTHERWISE SPECIFIED:		APPV: D MORRIS	27JAN2015
0 PLC	±N/A	NAME: PRODUCT SPEC	
1 PLC	±N/A	108-2323	
2 PLC	±0.25	APPLICATION SPEC	
3 PLC	±0.13	114-13299	
4 PLC	±N/A	WEIGHT	
ANGLES	±N/A	SIZE: CAGE CODE DRAWING NO	
FINISH	±N/A	A100779C=2212331	
MATERIAL	△	RESTRICTED TO	
		Customer Drawing	
		SCALE: 2:1	SHEET 1 OF 2
		REV 2	

LOC		DIST		REVISIONS			
				REV	DATE	BY	APPV
-	-	-	-	-	-	-	-
-	-	-	-	-	SEE SHEET 1	-	-



THIS DRAWING IS A CONTROLLED DOCUMENT.		OWN: R. IREA 27JAN2015	TE Connectivity
DIMENSIONS: mm		CHK: E. WICKES 27JAN2015	
TOLERANCES UNLESS OTHERWISE SPECIFIED:		APVD: D. ORRIS 27JAN2015	NAME: CONNECTOR, SOCKET, FORGE
0 PLC ±N/A		PRODUCT SPEC: 108-2323	6x#0, 3x#4, 0x#8, 1x#12, 0x#22 CONFIGURATION
1 PLC ±N/A		APPLICATION SPEC: 114-13299	SIZE: A1
2 PLC ±0.25		WEIGHT: -	CAGE CODE: 2212331
3 PLC ±0.13		RESTRICTED TO: -	SCALE: 2:1
4 PLC ±N/A		Customer Drawing	SHEET 2 OF 2
ANGLES: ±N/A			REV 2
FINISH: ±N/A			

# Mouser Electronics

Authorized Distributor

Click to View Pricing, Inventory, Delivery & Lifecycle Information:

[TE Connectivity:](#)

[2212331-1](#)