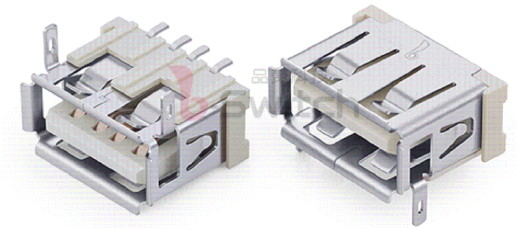
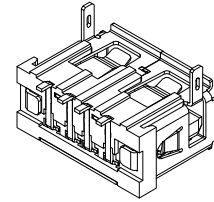


RECOMMENDED PCB LAYOUT
TOLERANCE:±0.05



GT-2A9003X-S N W GX-48

DETAIL

D=With flanging no column
F=No flanging no column

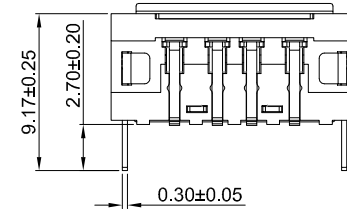
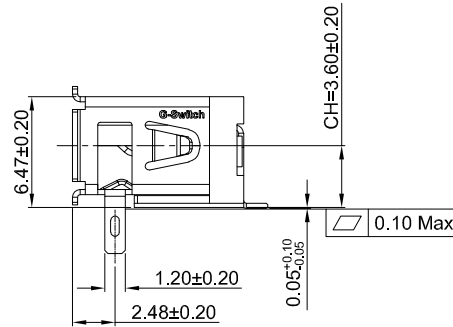
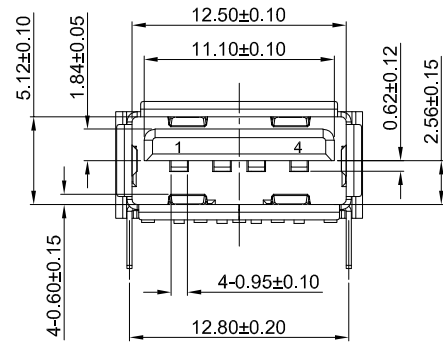
Shell Material
S=SUS

Shell Plating
N=Ni

Housing Colour
W=White

Terminal Plating
G0=G/F
G1=1u
G3=3u
...

Salt Spray
48=48H



G-Switch USB-2.0 Specification:

- 1.Current rated: 3.0A
- 2.Voltage rating: 20V DC
- 3.Dielectric withstanding Voltage:500V AC
- 4.Contact resistance: 30mΩ Max
- 5.Insulation resistance: 1000MΩ Min
- 6.Operating temperature: -40°C ~ +85°C
- 7.Mating force: 35N Max
- 8.Unmating force: 10N Min
- 9.Durability:3,000cycles

4	GND
3	D+
2	D-
1	VBUS
PIN	NAME
PIN ASSIGNMENT	



NO.	PARTS	MATERIAL	REMARKS
1	SHELL	STAINLESS STEEL301	Ni30u"MIN PLATED
2	HOUSING	HIGH TEMPERATURE PLASTIC	LCP 30%GF WHITE UL 94 V-0
3	TERMINALS	COPPER ALLOY C5191	G/F PLATING ON CONTACT AREA Tin30u" MIN PLATING ON SODER AREA

SCALE: 1:1	UNIT: mm	Title: Horizontal USB 2.0 AF SMT CH=3.6 L=10.1mm			
SIZE: A4		Molde Code: GT-2A9003D-SNWGX-48			
Unless otherwise General Tolerance:		DRAWN	CHECKED	APPROVED	DATE
X.x	±0.30	Xia	Chen	Chen	2024.03.10
X.xx	±0.20				
X.xxx	±0.10				
X.x ^o	±3°				



REV: A0 SHEET: 1/1