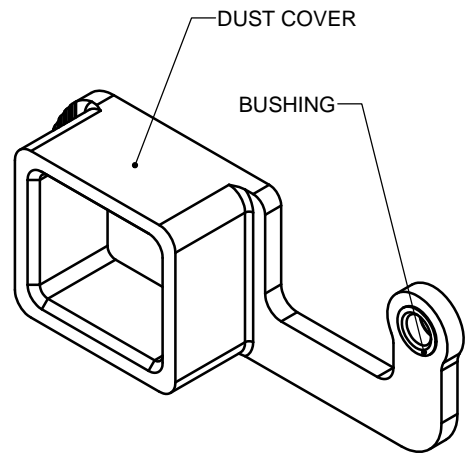
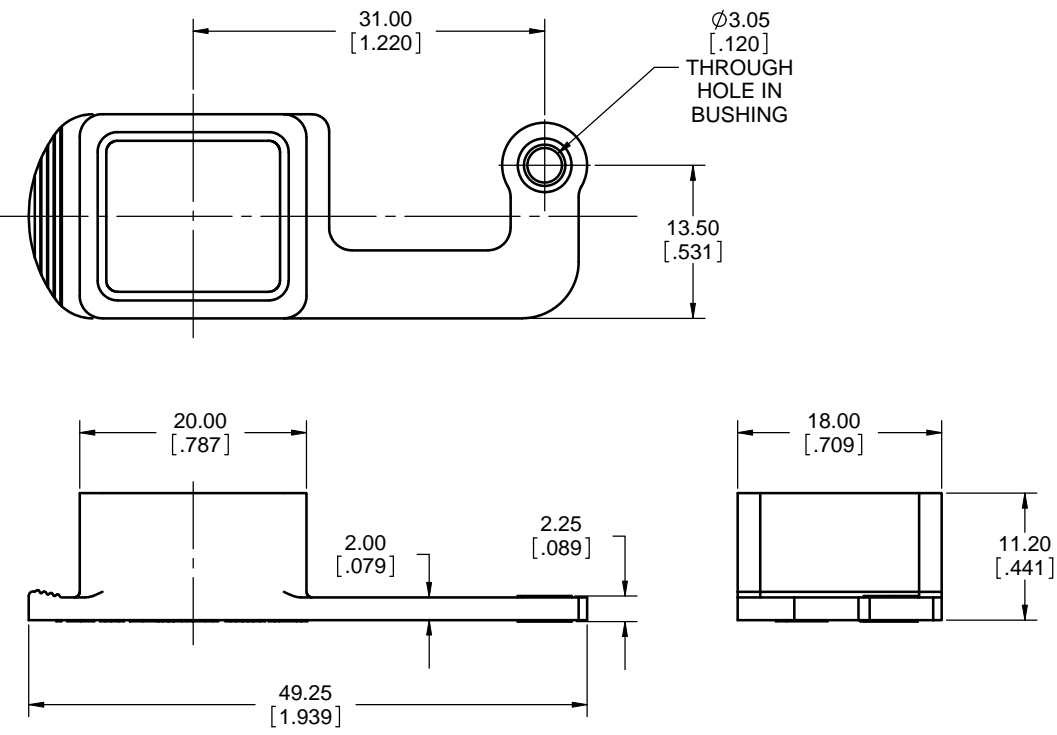


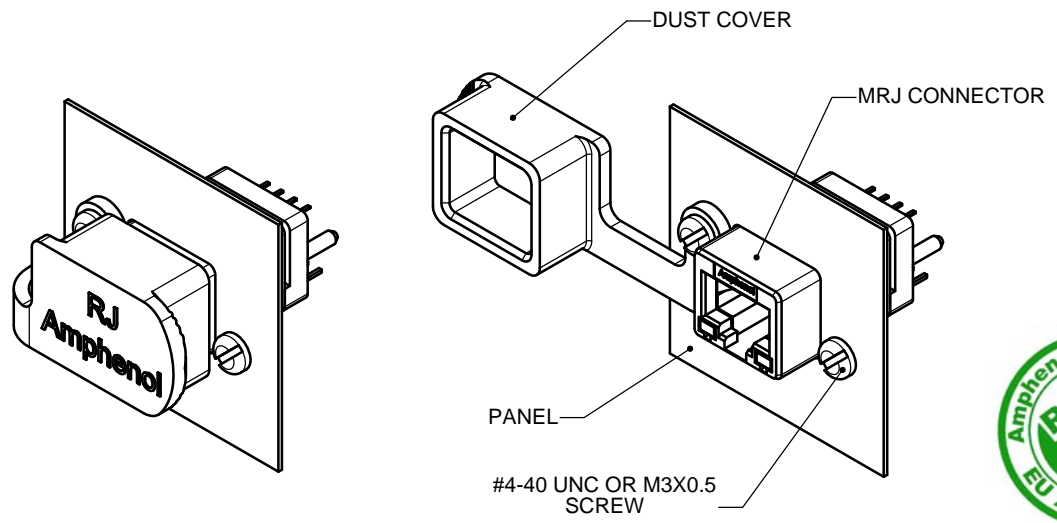
REVISIONS			
REV	DESCRIPTION, ECN, EAR NO.	DATE	APP'D
A	PRODUCT DRAWING	JUN28/07	K.L.
B	ADD BLACK OPTION (EAR 13820)	JAN06/11	K.L.



PART NUMBER	COLOUR
MRJ-2586-01BP	GREY
MRJ-2586-02BP	BLACK

NOTES:

- MATERIAL:
 - DUST COVER - SILICONE RUBBER, COLOUR PER TABLE
 - BUSHING - BRASS, NICKEL PLATED.
- OPERATING TEMPERATURE: -40°C TO +105°C.
- PART IS ROHS COMPLIANT PER EU DIRECTIVE 2002/95/EC AND AMENDMENTS.
- PART SUPPLIED BULK PACKED.



TYPICAL APPLICATION MRJ CONNECTOR WITH DUST COVER
SCALE 2:1



THIS DOCUMENT CONTAINS PROPRIETARY INFORMATION AND SUCH INFORMATION MAY NOT BE DISCLOSED TO OTHERS FOR ANY PURPOSE OR USED FOR MANUFACTURING PURPOSES WITHOUT WRITTEN PERMISSION FROM AMPHENOL CANADA CORP.

UNLESS SPECIFIED OTHERWISE	DRAWN	A.DODDS	JUN28/07
PRIMARY UNITS MILLIMETERS	CHECKED	K.LAMBIE	JUN28/07
SECONDARY MILLIMETERS	M.E. APP'D		
REFERENCE IN PARENTHESES	Q.A. APP'D		
GENERAL TOLERANCES	DWG APPR.		
1 DECIMAL PLACE	ENG. REL. NO.	EAR E13132	
2 DECIMAL PLACES	REF.		
3 DECIMAL PLACES	THIRD ANGLE PROJECTION		
ANGULAR DEGREES	DO NOT SCALE DRAWING		

Amphenol Canada Corp.

MRJ SERIES DUST COVER FOR RECEPTACLE CONNECTOR, RoHS COMPLIANT

DWG. NO. **P-MRJ-2586-0XBP** REV **B**

CODE ID NO. 03554 DWG SIZE: C SCALE: 3:1 SHEET 1 OF 1

Mouser Electronics

Authorized Distributor

Click to View Pricing, Inventory, Delivery & Lifecycle Information:

[Amphenol:](#)

[MRJ258602BP](#)