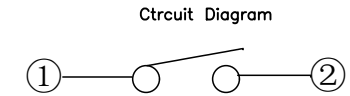
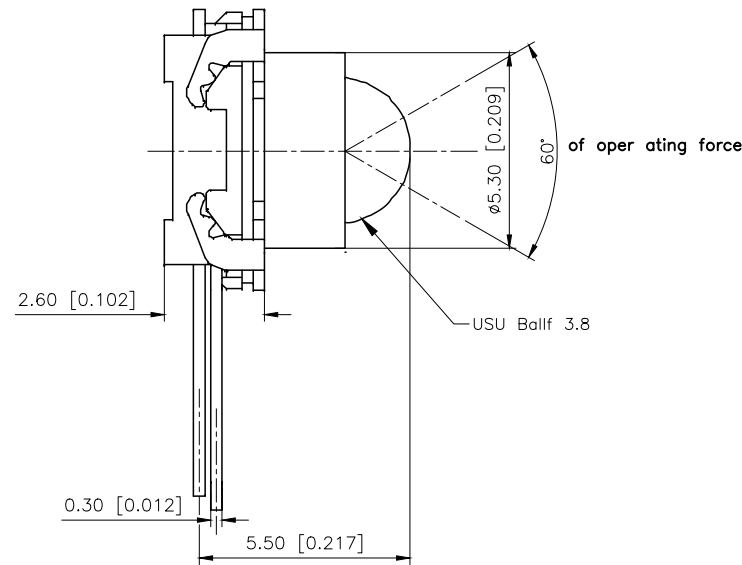
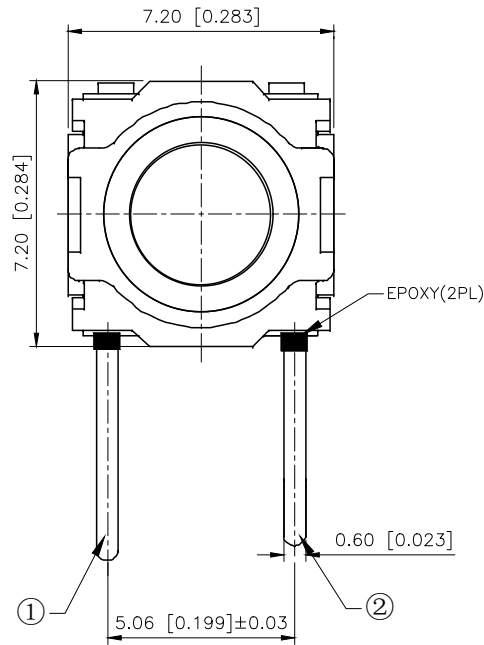
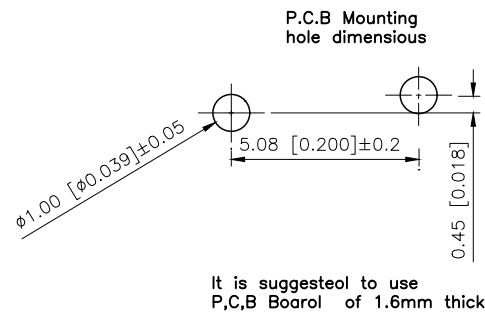
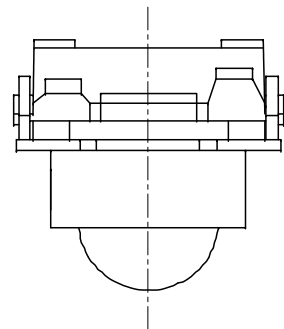


REVISIONS					
REV.	ECN NO.	LOCATION	DESCRIPTION	DATE	DESIGN
A0	N/A		INITIAL RELEASE	/	/
A1	N/A		图面升级整理图面	2025.05.24	阿树



**SPECIFICATION**  
 Contact Rating: 50mA,12V DC  
 Contact Resistance: 100mΩ max  
 Insulation Resistance: 100MΩ min.500V DC  
 Dielectric Strength: 250V AC/1minute  
 Travel: 0.25mm  
 Operating Temp: -40℃~+90℃  
 Storage Temp: -30℃~+80℃

PAPT NO	TC-111A-X
Operating Force	A:130gf B:200gf C:300gf D:500gf
Height	H:6.65



ITEM	PAPT NAMF	QTY	MATERIAL	FINISHING
⑤	Terminal	2	Brass (0.30t)	Plating silvering
④	Contact	1	F.ag/SUS	Natural
③	Base	1	Pa46	
②	Cover	1	Brass	Plating Nickel
①	Keystake	1	Steel ball	

AuGLAR	±5°
X.	±0.40
X.x	±0.30
X.xx	±0.20
X.xxx	±0.15
UNSPECIFIED TOLERANCES	



DESIGN	阿树	VIEW:		MODEL TYPE:	TACT SWITCH
CHECKED		UNIT:	mm/in	PART NO.:	TC-111A-X
APPROVED		SIZE:	A4	DWG NO.:	