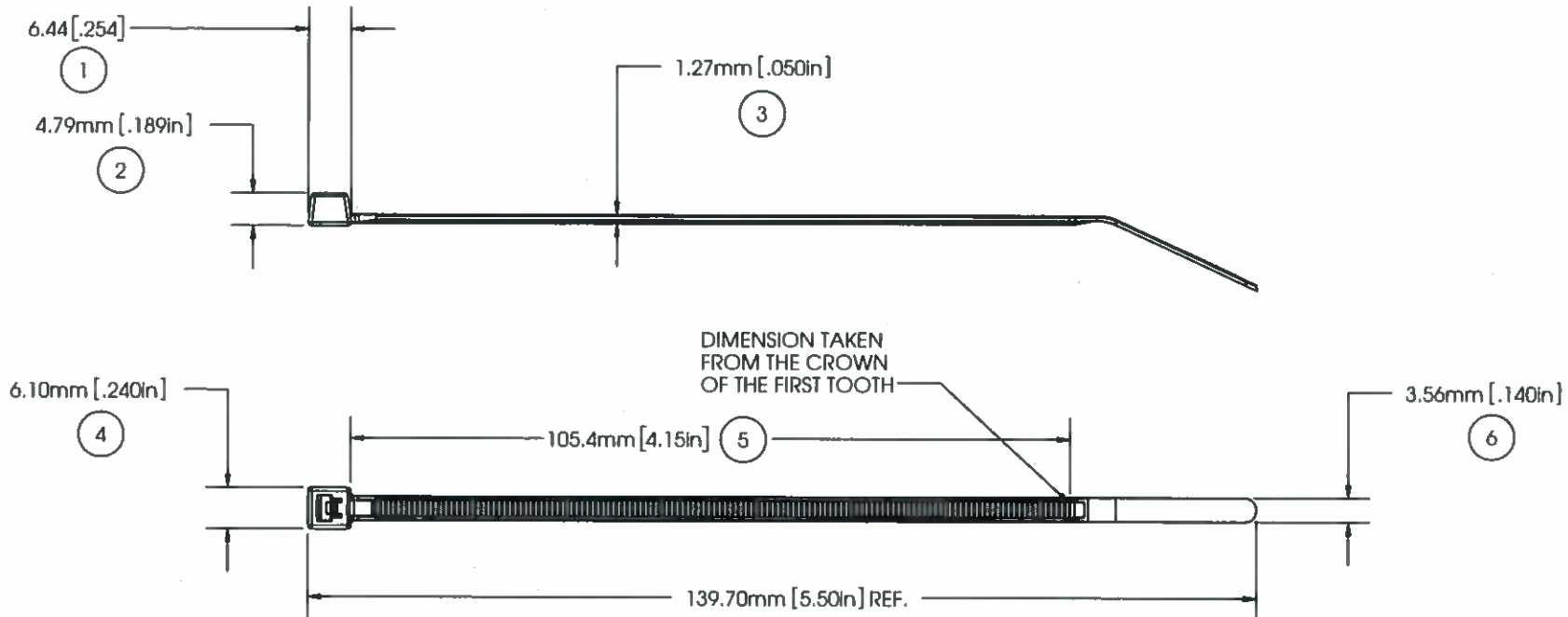


# AVERY DENNISON MARKETING SPECIFICATION

THE SUBJECT MATTER DISCLOSED HEREIN EMBODIES PROPRIETARY INFORMATION WHICH IS THE CONFIDENTIAL PROPERTY OF THE AVERY DENNISON CO. NONE OF WHICH SHALL BE COPIED, REPRODUCED, DISCLOSED TO OTHERS, PUBLISHED OR USED IN WHOLE OR IN PART, FOR ANY PURPOSE OTHER THAN THAT FOR WHICH IT IS BEING MADE AVAILABLE WITHOUT THE EXPRESS ADVANCE WRITTEN PERMISSION OF A DULY AUTHORIZED AGENT OF THE COMPANY. THIS DOCUMENT IS THE PROPERTY OF THE AVERY DENNISON CO. AND IS TO BE RETURNED TO THE COMPANY ON DEMAND.

## HISTORY

REV.	DATE	DESCRIPTION
Q	09.24.13	UPDATE BALLOON 5; ADDED UNITS
R	09.18.14	ADDED OPER. TEMP, UL LOGO ADDED NOTE: CHG DIM 1 TO BE TAKEN FROM THE BOTTOM OF HEAD; ADDED NOTE TO DIM 5, DIMENSION TAKEN FROM CROWN OF THE FIRST TOOTH.



NOTE: THESE CABLE TIES ARE UV RESISTANT AND HAVE A FLAMMABILITY RATING OF V-2



**LISTED**  
POSITIONING DEVICE  
E57800  
TYPE 21

MILITARY STANDARD:	MS-3367-5-0
LOOP TENSILE STRENGTH:	40 LBF / 180N MIN. PER AS-23190
OPERATING TEMP:	-40°F(-40°C) TO 176°F(80°C)
MIN. INSTALLATION TEMP:	32°F(0°C)
WEIGHT:	0.025 OZ./0.70 GRAMS
BUNDLE DIAMETER:	Ø 1.6MM TO Ø 31.8MM
TOOL:	12001 - HAND INSTALLATION TOOL 12500 - PNUEM. INSTALLATION TOOL
TOOL TENSION SETTING:	3-5
PACKAGING:	1000/BAG, 5000/CASE

APPROVALS: ENG. APPR. *[Signature]* 9/18/14  
Q.A. APPR. *[Signature]* 9/18/14



FASTENER DIVISION  
FITCHBURG, MA 01420 U.S.A.  
TEL. 1-800-225-5913  
FAX. 978-353-8157

SPECIFIED TOLERANCES ARE:		MATERIAL	DESCRIPTION	
.XX ± .03 IN.	.X ± .7 MM	NYLON 6/6, WEATHER RESISTANT	<b>5.5" CABLE TIE, INTERMED.</b>	
.XXX ± .010 IN.	.XX ± .25 MM	COLOR	STOCK NO.	REV.
ANGULAR: ± 2°		<b>BLACK</b>	<b>08431-0</b>	<b>R</b>

5

4

3

2

1

# Mouser Electronics

Authorized Distributor

Click to View Pricing, Inventory, Delivery & Lifecycle Information:

[Avery Dennison:](#)

[08431-0](#)