

# NB3N65027

## 3.3V Programmable 3-PLL Clock Synthesizer with 6 LVTTTL/LVCMOS Outputs w/OE

The NB3N65027 is a LVCMOS PLL-synthesized clock generator. It accepts a 10 MHz to 27 MHz clock or fundamental mode crystal as the reference source and drives three independent, low noise phase-locked loops (PLLs).

Control lines ACSx, BCSx and CCS will select their appropriate bank output frequencies. ACS1 and BCS1 are two-level LVTTTL/LVCMOS inputs, High and Low. ACS0, BCS0 and CCS are three-level LVCMOS inputs, High, Mid and Low.

The NB3N65027 has three independent LVTTTL/LVCMOS output banks of two outputs each. Banks A and B offer a 1X and a 1/2X output. Using a 25 MHz crystal, the selectable output frequencies range from 16 2/3 MHz to 133 1/3 MHz. A 12.5 MHz crystal offers from 8 1/3 MHz to 66 2/3 MHz. In addition, the NB3N65027 will generate a buffered reference LVTTTL/LVCMOS output, REFOUT, 10 MHz to 27 MHz. See Tables 2 through 9 for the variety of available output frequencies. The OE pin, when set LOW, will disable the output drivers to high impedance.

The NB3N65027 operates from a single +3.3 V supply across the operating temperature range from -40°C to +85°C, and is offered in a QSOP-20 RoHS compliant package.

The NB3N65027 provides the optimum combination of low cost, flexibility, and high performance for Network, PCI and SDRAM applications.

### Features

- 12.5 MHz or 25 MHz Fundamental Crystal or Clock Input
- Six Output Clocks with Selectable Frequencies
- Buffered Crystal Reference Output
- SDRAM Frequencies of 67, 83, 100, and 133 MHz
- LVCMOS with 25 mA Output Drive Capability at TTL Levels
- Operating Range:  $V_{CC} = 3.3 \text{ V} \pm 10\%$
- QSOP-20 Package, 150 mil
- -40°C to +85°C Ambient Operating Temperature
- These Devices are Pb-Free and are RoHS Compliant

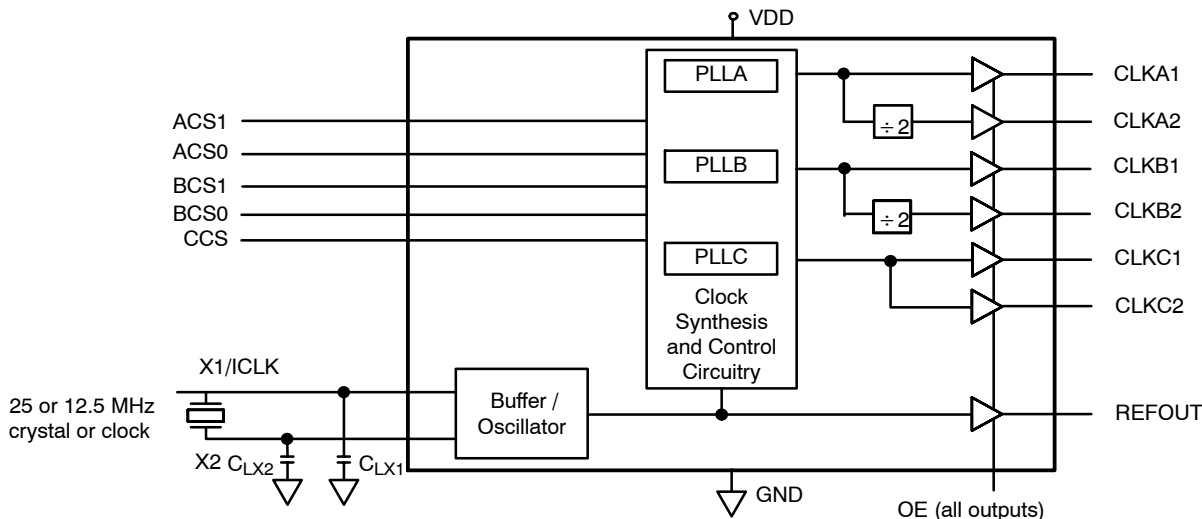


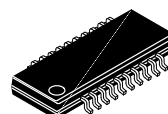
Figure 1. Simplified Logic Diagram



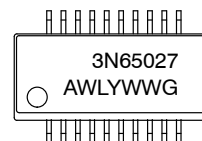
ON Semiconductor®

<http://onsemi.com>

### MARKING DIAGRAM



QSOP20  
CASE 492AC

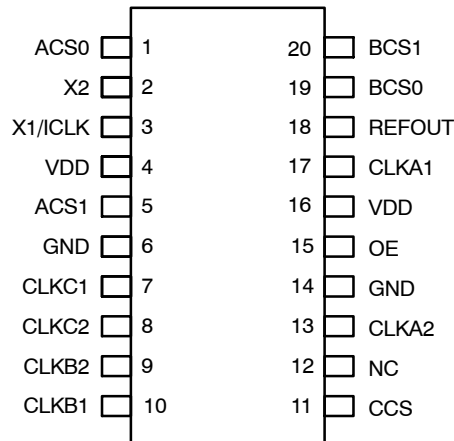


3N65027 = Specific Device Code  
A = Assembly Location  
WL = Wafer Lot  
Y = Year  
WW = Work Week  
G = Pb-Free Package

### ORDERING INFORMATION

See detailed ordering and shipping information in the package dimensions section on page 6 of this data sheet.

## NB3N65027



**Figure 2. Pinout: QSOP-20 (Top View)**

**Table 1. PIN DESCRIPTION** (Note 1)

Pin Number	Pin Name	Pin Type	Pin Description
1	ACS0	Tri-Level Input	A Clock Select 0. Selects outputs on CLKA1 and CLKA2 per table on page 3.
2	X2	Input	Crystal connection. Connect to a fundamental crystal or leave unconnected for a clock input.
3	X1/ICLK	Input	Crystal or Clock input connection. If a clock input is used, drive it into X1 and leave X2 unconnected.
4	VDD	Power	Connect to +3.3 V. Must be the same as pin 16.
5	ACS1	Two-Level Input	A Clock Select 1. Selects outputs on CLKA1 and CLKA2 per table on page 3. Internal pull-up.
6	GND	Power	Connect to ground.
7	CLKC1	Output	Output Clock C1. Depends on setting of CCS per table on page 3.
8	CLKC2	Output	Output Clock C2. Depends on setting of CCS per table on page 3. Same as CLKC1.
9	CLKB2	Output	Output Clock B2. Depends on setting of BCS1, 0 per table on page 3.
10	CLKB1	Output	Output Clock B1. Depends on setting of BCS1, 0 per table on page 3.
11	CCS	Tri-Level Input	Clock C select pin. Selects outputs on CLKC1 and CLKC2 per table on page 3.
12	NC	–	No Connect
13	CLKA2	Output	Output Clock A2. Depends on setting of ACS1, 0 per table on page 3.
14	GND	Power	Connect to ground.
15	OE	Input	Output enable. Tri-states all outputs when low. Internal pull-up.
16	VDD	Power	Connect to +3.3 V. Must be the same as pin 4.
17	CLKA1	Output	Output Clock A1. Depends on setting of ACS1, 0 per table on page 3.
18	REFOUT	Output	Buffered reference clock output. Same frequency as crystal or clock input.
19	BCS0	Tri-Level Input	B Clock Select 0. Selects outputs on CLKB1 and CLKB2 per table on page 3.
20	BCS1	Two-Level Input	B Clock Select 1. Selects outputs on CLKB1 and CLKB2 per table on page 3. Internal pull-up.

1. All VDD and GND pins must be externally connected to a power supply for proper operation.

## NB3N65027

**FOR A 25 MHz FUNDAMENTAL CRYSTAL OR CLOCK INPUT, THE FOLLOWING FOUR TABLES APPLY:**

**Table 2. A CLOCKS SELECT TABLE (outputs in MHz)**

ACS1	ACS0	CLKA1	CLKA2
0	0	100	off (low)
0	M	Test	Test
0	1	75	off (low)
1	0	33.3333	16.6667
1	M	Test	Test
1	1	66.6667	33.3333

**Table 3. B CLOCKS SELECT TABLE (outputs in MHz)**

BCS1	BCS0	CLKB1	CLKB2
0	0	Test	Test
0	M	66.6667	33.3333
0	1	100	50
1	0	83.3333	41.6667
1	M	Test	Test
1	1	133.3333	66.6667

**Table 4. C Clocks Select Table (outputs in MHz)**

CCS	CLKC1	CLKC2
0	125	125
M	Test	Test
1	75	75

**Table 5. REFERENCE OUTPUT CLOCK FREQUENCY (in MHz)**

REFOUT
25

**FOR A 12.5 MHz FUNDAMENTAL CRYSTAL OR CLOCK INPUT, THE FOLLOWING FOUR TABLES APPLY:**

**Table 6. A CLOCKS SELECT TABLE (outputs in MHz)**

ACS1	ACS0	CLKA1	CLKA2
0	0	50	off (low)
0	M	Test	Test
0	1	37.5	off (low)
1	0	16.6667	8.3333
1	M	Test	Test
1	1	33.3333	16.6667

**Table 7. B CLOCKS SELECT TABLE (outputs in MHz)**

BCS1	BCS0	CLKB1	CLKB2
0	0	Test	Test
0	M	33.3333	16.6667
0	1	50	25
1	0	41.6667	20.8333
1	M	Test	Test
1	1	66.6667	33.3333

**Table 8. C CLOCKS SELECT TABLE (outputs in MHz)**

CCS	CLKC1	CLKC2
0	62.5	62.5
M	Test	Test
1	37.5	37.5

**Table 9. REFERENCE OUTPUT CLOCK FREQUENCY (in MHz)**

REFOUT
12.5

0 = connect directly to GND

M = leave unconnected (automatically self biases to  $V_{DD}/2$ )

1 = connect directly to  $V_{DD}$

## NB3N65027

**Table 10. ATTRIBUTES**

Characteristics		Value
ESD Protection	Human Body Model Machine Model	> 2 kV > 200 V
R <sub>PU</sub> – Internal Input Pull-up Resistor	BCS1, OE ACS1	430 kΩ 120 kΩ
Z <sub>OUT</sub> – Nominal Output Impedance		20 Ω
Moisture Sensitivity (Note 2)	QSOP-20	Level 1
Flammability Rating	Oxygen Index: 28 to 34	UL 94 V-0 @ 0.125 in
Transistor Count		16700
Meets or exceeds JEDEC Spec EIA/JESD78 IC Latchup Test		

2. For additional information, see Application Note AND8003/D.

**Table 11. MAXIMUM RATINGS**

Symbol	Parameter	Condition 1	Rating	Unit
V <sub>DD</sub>	Positive Power Supply	GND = 0 V	4.5	V
V <sub>IO</sub>	All Inputs and Outputs	GND = 0 V	-0.5 to V <sub>DD</sub> +0.5	V
T <sub>A</sub>	Operating Temperature Range		-40 to +85	°C
T <sub>stg</sub>	Storage Temperature Range		-65 to +150	°C
θ <sub>JA</sub>	Thermal Resistance (Junction-to-Ambient) (Note 3)	0 lfp 1 m/s air flow 3 m/s air flow	135 typ 93 typ 78 typ	°C/W °C/W °C/W
θ <sub>JC</sub>	Thermal Resistance (Junction-to-Case) (Note 3)		60 typ	°C/W
T <sub>sol</sub>	Wave Solder Temperature – Pb-Free	≤ 20 sec	260	°C

Stresses exceeding Maximum Ratings may damage the device. Maximum Ratings are stress ratings only. Functional operation above the Recommended Operating Conditions is not implied. Extended exposure to stresses above the Recommended Operating Conditions may affect device reliability.

3. JEDEC standard multilayer board – 2S2P (2 signal, 2 power) with 8 filled thermal vias under exposed pad.

## NB3N65027

**Table 12. DC CHARACTERISTICS**  $V_{DD} = 3.3V \pm 10\%$ ,  $GND = 0V$ ,  $T_A = -40^\circ C$  to  $+85^\circ C$

Symbol	Characteristic	Min	Typ	Max	Unit
<b>POWER SUPPLY</b>					
$V_{DD}$	Power Supply Voltage; $GND = 0V$	3.0	3.3	3.6	V
$I_{DD}$	Power Supply Current for $V_{DD}$ (Inputs and Outputs Open)		40	60	mA
<b>OUTPUTS</b>					
$V_{OH}$	Output HIGH Voltage; $V_{DD} = 3.3V$ $I_{OH} = -25\text{ mA}$ $I_{OH} = -8\text{ mA}$	2.4 $V_{DD} - 0.4$			V
$V_{OL}$	Output LOW Voltage; $I_{OL} = 25\text{ mA}$			0.8	V
$I_{OS}$	Output Short Circuit Current, Each Output		$\pm 50$		mA
<b>X1/CLK INPUT PIN, ONLY</b>					
$V_{IH}$	Input HIGH Voltage	$V_{DD} / 2 + 1$			V
$V_{IL}$	Input LOW Voltage			$V_{DD} / 2 - 1$	V
<b>TRI-LEVEL TYPE INPUTS: ACS0, BCS0, CCS</b>					
$V_{IH}$	Input HIGH Voltage	$V_{DD} - 0.5$			V
$V_{IL}$	Input LOW Voltage			0.5	V
<b>TWO-LEVEL TYPE INPUTS: ACS1, BCS1, OE</b>					
$V_{IH}$	Input HIGH Voltage	2.0			V
$V_{IL}$	Input LOW Voltage			0.8	V

NOTE: Device will meet the specifications after thermal equilibrium has been established when mounted in a test socket or printed circuit board with maintained transverse airflow greater than 500 lfm. Electrical parameters are guaranteed only over the declared operating temperature range. Functional operation of the device exceeding these conditions is not implied. Device specification limit values are applied individually under normal operating conditions and not valid simultaneously.

**Table 13. AC CHARACTERISTICS**  $V_{DD} = 3.3V \pm 10\%$ ,  $GND = 0V$ ,  $T_A = -40^\circ C$  to  $+85^\circ C$

Symbol	Characteristic	Min	Typ	Max	Unit
$f_{IN}$	Input Frequency, Crystal or Clock	10	12.5 or 25	27	MHz
$t_{DC}$	Output Clock Duty Cycle at $V_{DD}/2$ , 15 pF Load	40	50	60	%
	Frequency Error, all clocks, 15 pF Load			0	ppm
$t_{or}, t_{of}$	Output Rise/Fall Times; 0.8 V to 2.0 V, 15 pF Load			1.5	ns
	Absolute Jitter, short-term; variation from mean, 15 pF Load		$\pm 120$		ps

NOTE: Device will meet the specifications after thermal equilibrium has been established when mounted in a test socket or printed circuit board with maintained transverse airflow greater than 500 lfm. Electrical parameters are guaranteed only over the declared operating temperature range. Functional operation of the device exceeding these conditions is not implied. Device specification limit values are applied individually under normal operating conditions and not valid simultaneously.

## NB3N65027

### External Components

The NB3N65027 requires a minimum number of external components for proper operation.

### Decoupling Capacitor

Decoupling capacitors of 0.01  $\mu\text{F}$  must be connected between each  $V_{\text{DD}}$  and GND (pins 4 and 6, pins 16 and 14), as close to the device as possible. For optimum device performance, the decoupling capacitor should be mounted on the component side of the PCB. Avoid the use of vias in the decoupling circuit.

### Series Termination Resistor

When the PCB trace between the clock outputs and the loads are over 1 inch, series termination should be used. To series terminate a 50  $\Omega$  trace (a commonly used trace impedance), place a 33  $\Omega$  resistor in series with the clock line as close to the clock output pin as possible. The nominal impedance of the clock output is 20  $\Omega$ .

### Crystal Information

The crystal used should be a fundamental mode (do not use third overtone), parallel resonant. Crystal load capacitors should be connected from pins X1 to ground and X2 to ground to optimize the frequency accuracy, See Figure 1.

A crystal in parallel resonance will require the spec  $C_L$  as a balanced loading for each side of the crystal, so  $C_L$  is distributed in two equal series load caps,  $C_{L1}$  and  $C_{L2}$ . All stray and additional capacitance must be subtracted from this total loading.

1. Crystal load capacitance,  $C_L$ , is:

$$C_L = \left( \frac{C_{L1} \cdot C_{L2}}{C_{L1} + C_{L2}} \right)$$

### ORDERING INFORMATION

Device	Package	Shipping <sup>†</sup>
NB3N65027DTG	QSOP20 (Pb-Free)	55 Units / Rail
NB3N65027DTR2G	QSOP20 (Pb-Free)	2500 / Tape & Reel

<sup>†</sup>For information on tape and reel specifications, including part orientation and tape sizes, please refer to our Tape and Reel Packaging Specifications Brochure, BRD8011/D.

Where:

$C_L$  = Crystal Spec Load Capacitance

$C_{L1}$  = X1 Pin Total Load Capacitance

$C_{L2}$  = X2 Pin Total Load Capacitance

2. If  $C_L = 18 \text{ pF}$ , then  $C_{L1} = C_{L2} = 2C_L$ , or 36 pF.

Stray capacitance,  $C_{LS1}$  and  $C_{LS2}$ , must be considered and subtracted from each total load capacitance,  $C_{L1}$  and  $C_{L2}$ .

Furthermore:

$C_{L1} = C_{LX1} + C_{LS1}$

$C_{L2} = C_{LX2} + C_{LS2}$

Where:

$C_{LX1}$  = Load Capacitor Board Component for  $C_{L1}$

$C_{LX2}$  = Load Capacitor Board Component for  $C_{L2}$

$C_{LS1}$  = Stray Load Capacitance at X1

$C_{LS2}$  = Stray Load Capacitance at X2

As an example, for 4 pF of stray capacitance,  $C_{LS1} = C_{LS2} = 4 \text{ pF}$ , then, Board Component Capacitors  $C_{LX1} = C_{LX2} = 2C_L - C_{LS(1or2)}$ , or  $36 \text{ pF} - 4 \text{ pF} = 32 \text{ pF}$ .

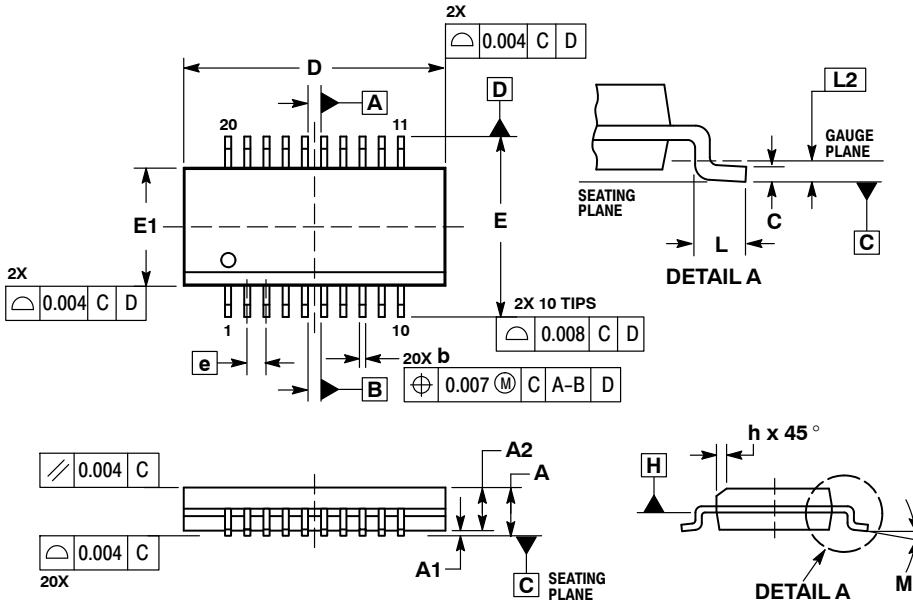
**Table 14. RECOMMENDED CRYSTAL PARAMETERS**

Parameter	Value
Crystal Cut	Fundamental AT Cut
Resonance	Parallel Resonance
Load Capacitance	18 pF
Operating Range	-40 to +85°C
Shunt Capacitance	5 pF Max
Equivalent Series Resistance (ESR)	50 $\Omega$ Max
Correlation Drive Level	1.0 mW Max

# NB3N65027

## PACKAGE DIMENSIONS

QSOP20  
CASE 492AC-01  
ISSUE O

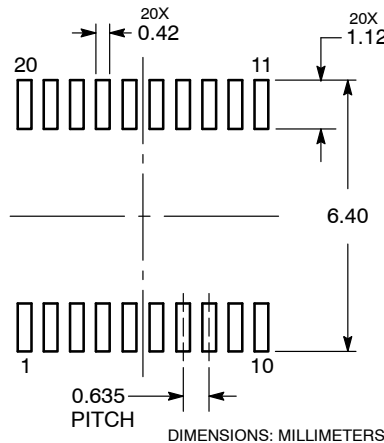


### NOTES:

1. DIMENSIONING AND TOLERANCING PER ASME Y14.5M, 1994.
2. CONTROLLING DIMENSION: INCHES.
3. DIMENSION  $b$  DOES NOT INCLUDE DAMBAR PROTRUSION.
4. DIMENSION  $D$  DOES NOT INCLUDE MOLD FLASH, PROTRUSIONS, OR GATE BURRS. MOLD FLASH, PROTRUSIONS, OR GATE BURRS SHALL NOT EXCEED 0.005 PER SIDE. DIMENSION  $E1$  DOES NOT INCLUDE INTERLEAD FLASH OR PROTRUSION. INTERLEAD FLASH OR PROTRUSION SHALL NOT EXCEED 0.005 PER SIDE.  $D$  AND  $E1$  ARE DETERMINED AT DATUM H.
5. DATUMS A AND B ARE DETERMINED AT DATUM H.

DIM	INCHES		MILLIMETERS	
	MIN	MAX	MIN	MAX
A	----	0.069	----	1.75
A1	0.004	0.010	0.10	0.25
A2	0.049	----	1.24	----
b	0.008	0.012	0.20	0.30
c	0.004	0.010	0.10	0.25
D	0.341 BSC		8.66 BSC	
E	0.236 BSC		5.99 BSC	
E1	0.154 BSC		3.91 BSC	
e	0.025 BSC		0.635 BSC	
h	0.010	0.020	0.25	0.51
L	0.016	0.050	0.41	1.27
L2	0.010 BSC		0.25 BSC	
M	0° 8°		0° 8°	

### SOLDERING FOOTPRINT



ON Semiconductor and are registered trademarks of Semiconductor Components Industries, LLC (SCILLC). SCILLC reserves the right to make changes without further notice to any products herein. SCILLC makes no warranty, representation or guarantee regarding the suitability of its products for any particular purpose, nor does SCILLC assume any liability arising out of the application or use of any product or circuit, and specifically disclaims any and all liability, including without limitation special, consequential or incidental damages. "Typical" parameters which may be provided in SCILLC data sheets and/or specifications can and do vary in different applications and actual performance may vary over time. All operating parameters, including "Typicals" must be validated for each customer application by customer's technical experts. SCILLC does not convey any license under its patent rights nor the rights of others. SCILLC products are not designed, intended, or authorized for use as components in systems intended for surgical implant into the body, or other applications intended to support or sustain life, or for any other application in which the failure of the SCILLC product could create a situation where personal injury or death may occur. Should Buyer purchase or use SCILLC products for any such unintended or unauthorized application, Buyer shall indemnify and hold SCILLC and its officers, employees, subsidiaries, affiliates, and distributors harmless against all claims, costs, damages, and expenses, and reasonable attorney fees arising out of, directly or indirectly, any claim of personal injury or death associated with such unintended or unauthorized use, even if such claim alleges that SCILLC was negligent regarding the design or manufacture of the part. SCILLC is an Equal Opportunity/Affirmative Action Employer. This literature is subject to all applicable copyright laws and is not for resale in any manner.

### PUBLICATION ORDERING INFORMATION

**LITERATURE FULFILLMENT:**  
Literature Distribution Center for ON Semiconductor  
P.O. Box 5163, Denver, Colorado 80217 USA  
**Phone:** 303-675-2175 or 800-344-3860 Toll Free USA/Canada  
**Fax:** 303-675-2176 or 800-344-3867 Toll Free USA/Canada  
**Email:** orderlit@onsemi.com

**N. American Technical Support:** 800-282-9855 Toll Free USA/Canada  
**Europe, Middle East and Africa Technical Support:**  
Phone: 421 33 790 2910  
**Japan Customer Focus Center**  
Phone: 81-3-5773-3850

**ON Semiconductor Website:** [www.onsemi.com](http://www.onsemi.com)  
**Order Literature:** <http://www.onsemi.com/orderlit>  
For additional information, please contact your local Sales Representative

NB3N65027/D