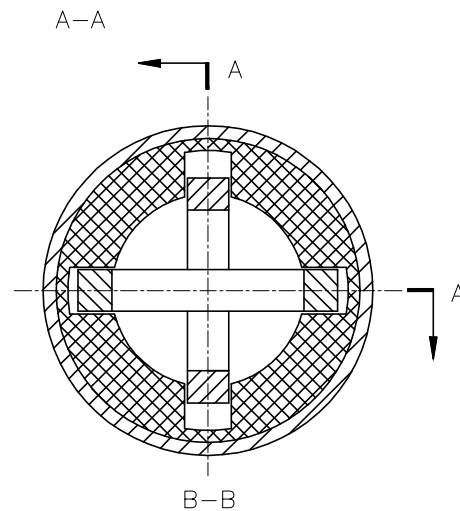
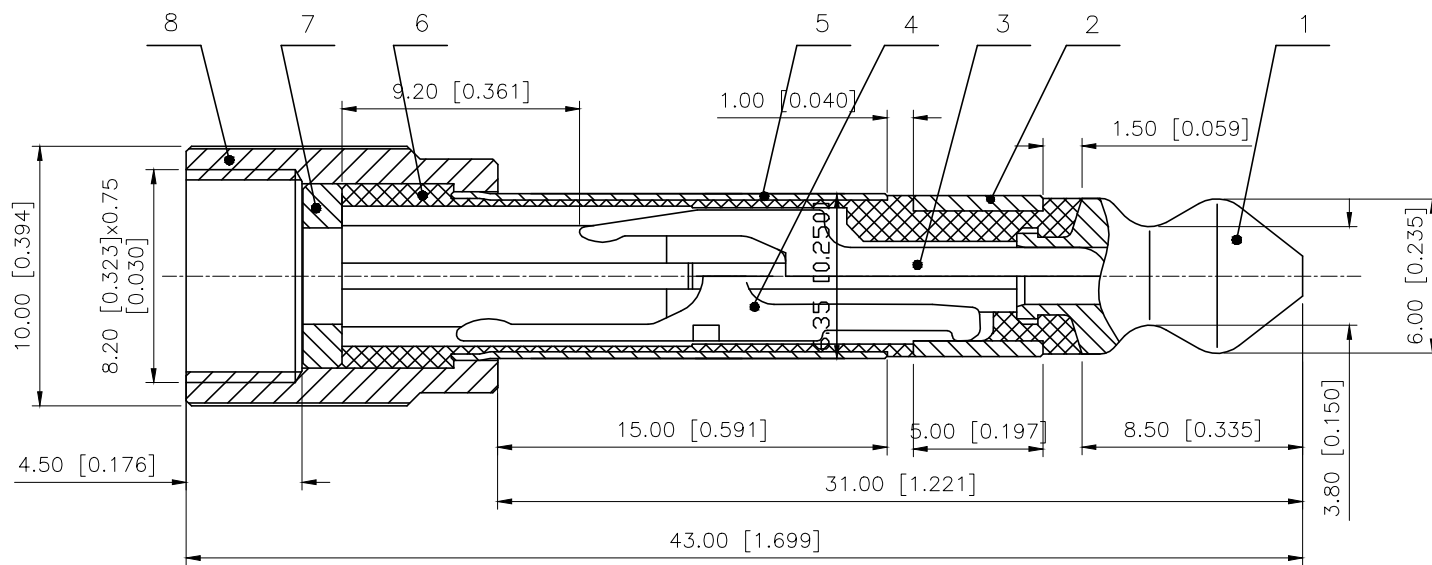


REVISIONS					
REV.	ECN NO.	LOCATION	DESCRIPTION	DATE	DESIGN
A0	N/A		INITIAL RELEASE	/	/
A1	N/A		图面升级整理图面	2025.06.30	阿树



8	手柄	1	∅10.2	C3604B
7	座孔	1	∅7.5	C3604B
6	注塑组装	1		A.B.S
5	地通	1	H65	∅6.35
4	左声片	1	T=0.7	Phosphor copper sheet
3	右声片	1	T=0.8	Phosphor copper sheet
2	铜珠	1	H65	∅6.2
1	触头钉	1	∅6	∅6.2
ITEM	PAPT	NAMF	PCS	MATERIAL

零件名称: 6.3带螺牙转换座

AuGLAR	±5°
X.	±0.40
X.x	±0.30
X.xx	±0.20
X.xxx	±0.15
UNSPECIFIED TOLERANCES	



DESIGN	阿树	VIEW:		MODEL TYPE:	PHONE JACK
CHECKED		UNIT:	mm/in	PART NO.:	PT-63350
APPROVED		SIZE:	A4	DWG NO.:	