

PCB terminal strip; 1 solder pin/pole; 5-pole; pin spacing 5 mm / 0.197 in

Item No.: 739-105



PCB terminal strip; 1 solder pin/pole; 5-pole; pin spacing 5 mm / 0.197 in

Marking

RoHS ✓
Compliant

Business data

Supplier	WAGO
Item no.	739-105
GTIN / EAN	4044918859578
Content	1
Order amount	45
Customer item number	

Notes

Item description: Terminal strips with screwdriver-actuated CAGE CLAMP® Vertical conductor entry and operating direction for space-saving positioning/grouping

Technical data

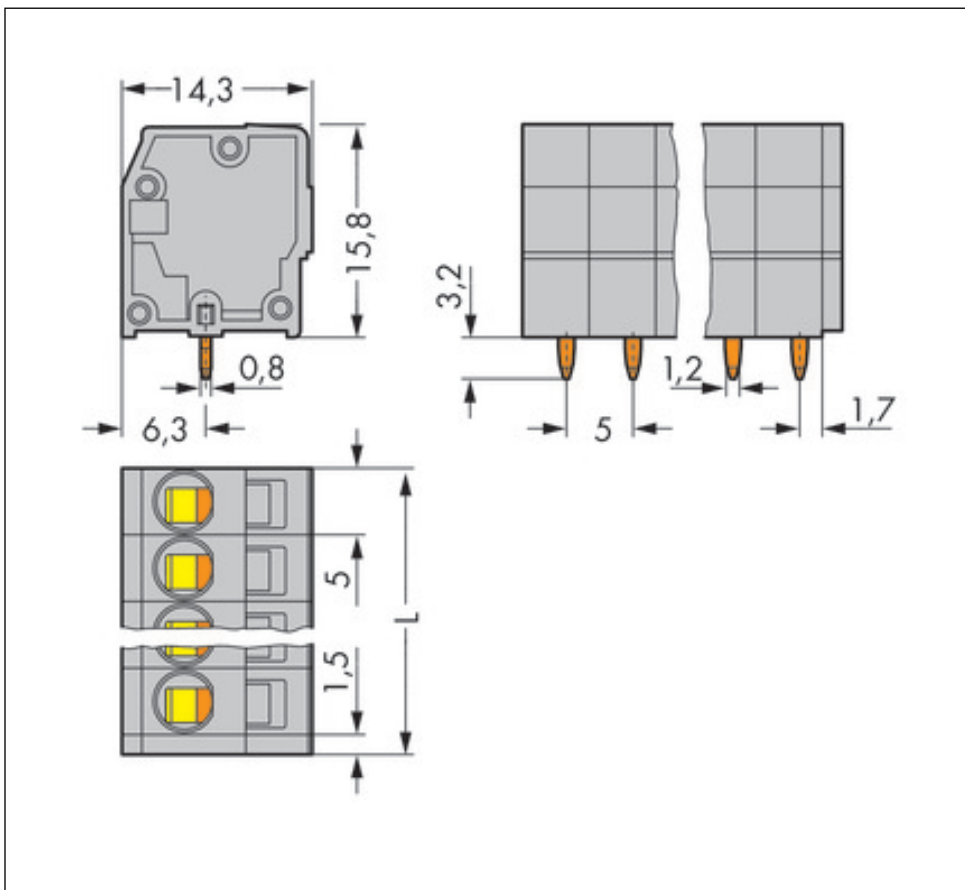
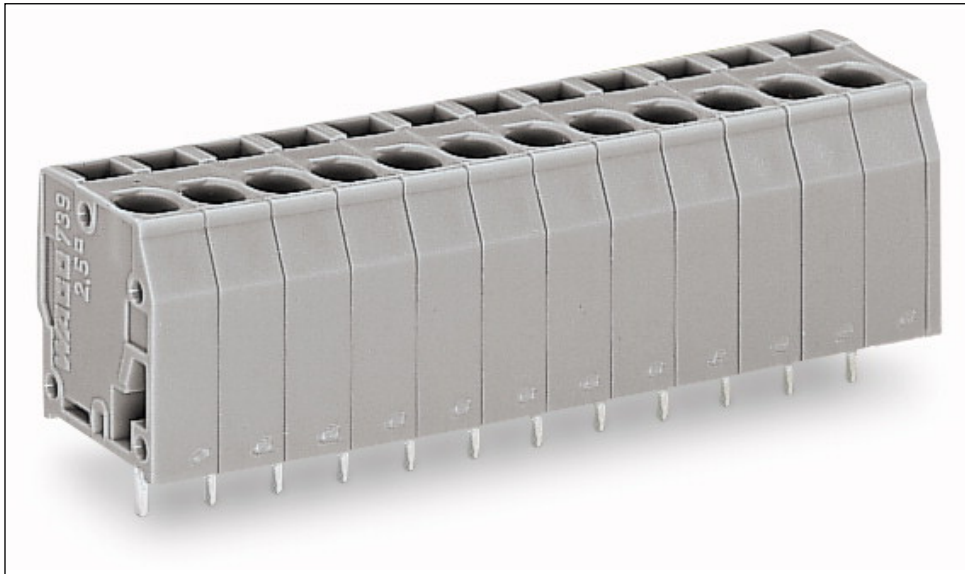
Miscellaneous

No. of poles	5
Pin spacing	5 mm / 0.197 in %
Total number of connection points	5
Total number of potentials	5
Number of levels	1
Color	gray
Ratings according to 1	IEC/EN 60664-1
Overvoltage category EN 1	III

Technical data	
Pollution degree (1)	2
Rated voltage EN (1) [V]	320 [V]
Rated surge voltage (1) [kV]	4 [kV]
Nominal current [A]	24 [A]
Overvoltage category EN 2	II
Degree of pollution (2)	2
Rated voltage EN (2) [V]	630 [V]
Rated surge voltage (2) [kV]	4 [kV]
Nominal current (2) [A]	24 [A]
Overvoltage category EN 3	III
Degree of pollution (3)	3
Rated voltage EN (3) [V]	320 [V]
Rated surge voltage (3) [kV]	4 [kV]
Nominal current (3) [A]	24 [A]
Number of individual connection objects at the product	1
Connection technology (1)	CAGE CLAMP®
Number of connection points (1)	1
Solid sizes 1	0.08 ... 2.5 mm ² / 28 ... 14 AWG
Fine-stranded wires 1	0.08 ... 2.5 mm ² / 28 ... 2,5 AWG
Fine-stranded wires with insulated ferrule 1	0.25 ... 1.5 mm ² / ...
Fine-stranded wires with uninsulated ferrule 1	0.25 ... 2.5 mm ² / ...
Strip length 1	8 ... 9 mm / 0.31 ... 0.35 in
Conductor entry angle to the PCB 1 [°]	90 [°]
Strip length from [inch] [in]	0.31 [in]
Type of wiring	Front-entry wiring
Solder pin arrangement	in line
Solder pin length [mm]	3.2 [mm]
Solder pin width A [mm]	0.8 [mm]
Solder pin width B [mm]	1.2 [mm]
Drilled hole diameter (tolerance) [mm]	1.6(+ 0.1) [mm]
Material group	I
Insulating material	Polyamide 66 (PA 66)
Flammability rating per UL 94	V0
Limit temperature range	-60 C ... 105 C
Clamping spring material	Chrome-nickel spring steel (CrNi)

Technical data	
<i>Contact material</i>	<i>Electrolytic copper (Ecu)</i>
<i>Contact plating</i>	<i>tin-plated</i>
<i>Fire load [MJ]</i>	<i>0.103 [MJ]</i>
<i>Weight [g]</i>	<i>5.898 [g]</i>
<i>Width</i>	<i>26.5 mm / 1.043 in</i>
<i>Height</i>	<i>19 mm / 0.748 in</i>
<i>Height from the surface</i>	<i>15.8 mm / 0.622 in</i>
<i>Length</i>	<i>14.3 mm / 0.563 in</i>
<i>Pin spacing up to [in]</i>	<i>0.2 [in]</i>

Images & drawings



Address

WAGO Kontakttechnik GmbH & Co. KG

Hansastr. 27

32423 Minden

Telefon: 0571/887-0

Fax: 0571/887-169

<http://www.wago.com>

© WAGO Kontakttechnik GmbH & Co. KG

Technische Änderungen und Irrtümer vorbehalten.