

This document is the property of Amphenol Corporation and is delivered on the express condition that it is not to be disclosed, reproduced or used, in whole or in part, for manufacture or sale by anyone other than Amphenol Corporation without its prior consent, and that no right is granted to disclose or to use any information in this document.

The marking on this product doesn't contain environmental hazardous materials per Material Specification SS-00259 for Sony GP compliant or per directive 2011/65/EU for RoHS compliant.

ORIGINAL

REVISIONS				
SYM	ECN No.	DESCRIPTION	DATE	BY
A	NE-14070	NEW RELEASE	04/28/2014	HANK HSU

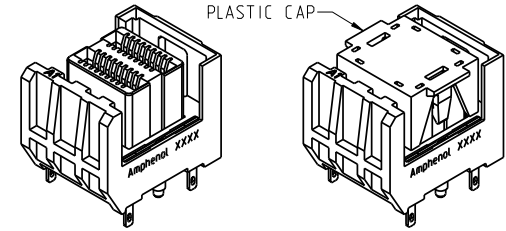
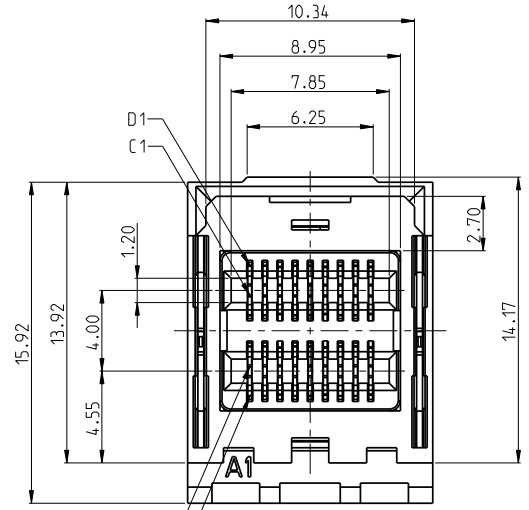


TABLE 1

DIM A	APPLICABLE PCB THK
2.40	1.57~1.60
3.59	2.36~2.79
3.98	3.18

PART NUMBER SYSTEM

G40H C X X X X X XX - X

Mini SAS HD Integrated Connector

Connector Style  
C: V/T, w/anti-reverse wall  
85 Ohm

Number of Integration  
X: OPTION  
1: 1X1  
2: 1X2

Contact Finish  
X: OPTION  
3: 50u" Gold

Terminal Style  
X: OPTION  
2: SMT, 100u" MIN  
MATTE TIN PLATING

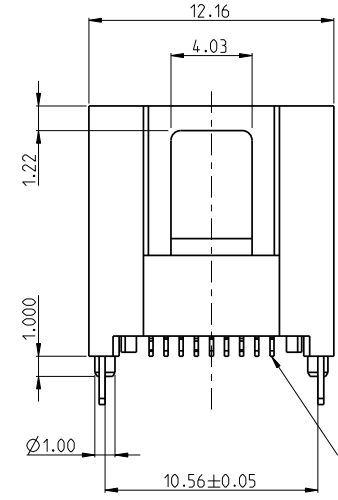
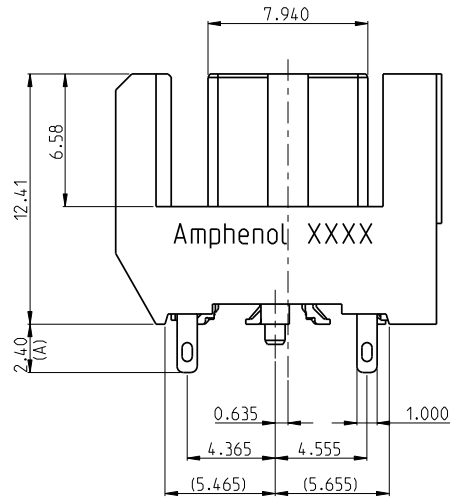
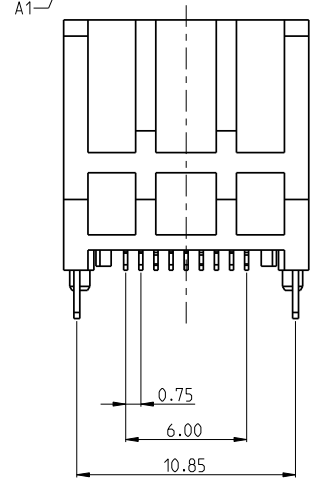
Verification Code  
X: OPTION  
BLANK: STANDARD

Compliant Code  
XX: OPTION  
HR: Halogen-Free & RoHS

BOARDLOCK CODE  
X: OPTION  
1: 2.40 mm  
2: 3.59 mm  
3: 3.98 mm

Variation Code  
X: OPTION  
1: with Cap  
2: without Cap

Packing Code  
X: OPTION  
1: Tray  
2: Tape & Reel  
3: Narrow Tray



0.10 ALL SMT TAILS

- NOTES:
- INSULATOR: HIGH TEMPERATURE THERMOPLASTIC  
UL94V-0, COLOR: NC(BRACKET), BK(HOUSING)
  - TERMINAL: COPPER ALLOY  
CONTACT AREA: OPTION  
TAIL AREA: OPTION  
UNDER PLATING: NICKEL 100u" MIN.
  - THIS PRODUCT DOESN'T CONTAIN ENVIRONMENTAL HAZARDOUS PER DIRECTIVE 2011/65/EU FOR RoHS AND PER IEC 61249-2-21 FOR HALOGEN-FREE COMPLIANT.

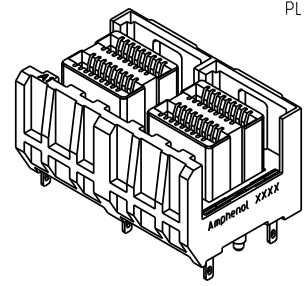
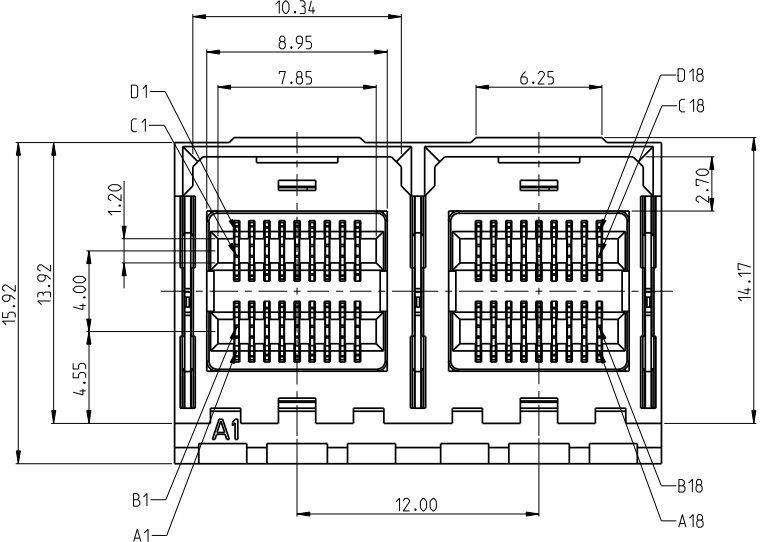
TOLERANCE	DRAWN	APPROVALS	DATE	TITLE	Amphenol® Amphenol Corporation Amphenol Taiwan Corporation			
X. X.X ±0.30 X.XX ±0.20 X.XXX ±0.10	DESIGNED	Hank Hsu	04/28/2014	MINI SAS HD INTEGRATED CONNECTOR 0.75 PITCH, V/T, SMT TYPE	PART No.	G40HCXXXXXXHR	REV.	A
ANGULAR ±2°	CHECKED	Sondra Sang	04/28/2014		SCALE	1 OF 3		
UNLESS OTHERWISE SPECIFIED	APPROVED	Hank Hsu	04/28/2014		UNIT	mm	SIZE	A3
	DWG TYPE	CUST DWG	PROJECT CODE	1515	SCALE	NA	SHEET	1 OF 3
					DWG No.	G40HCXXXXXXHR		

ORIGINAL

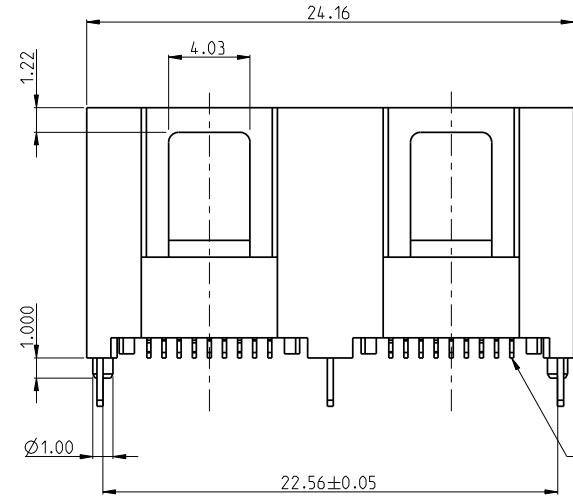
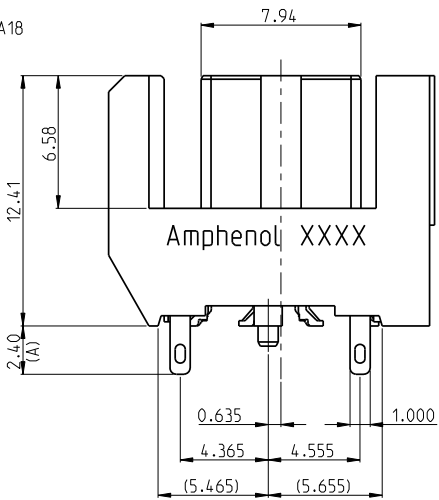
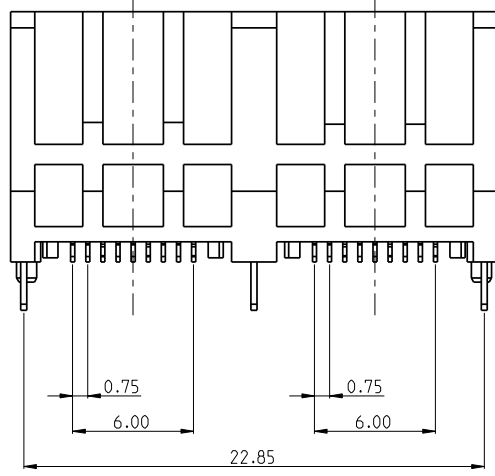
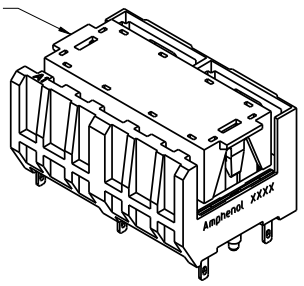
REVISIONS				
SYM	ECN No.	DESCRIPTION	DATE	BY
A	NE-14070	NEW RELEASE	04/28/2014	HANK HSU

This document is the property of Amphenol Corporation and is delivered on the express condition that it is not to be disclosed, reproduced or used, in whole or in part, for manufacture or sale by anyone other than Amphenol Corporation without its prior consent, and that no right is granted to disclose or to use any information in this document.

The marking on this product doesn't contain environmental hazardous materials per Material Specification SS-00259 for Sony GP compliant or per directive 2011/65/EU for RoHS compliant.



PLASTIC CAP



0.10 ALL SMT TAILS

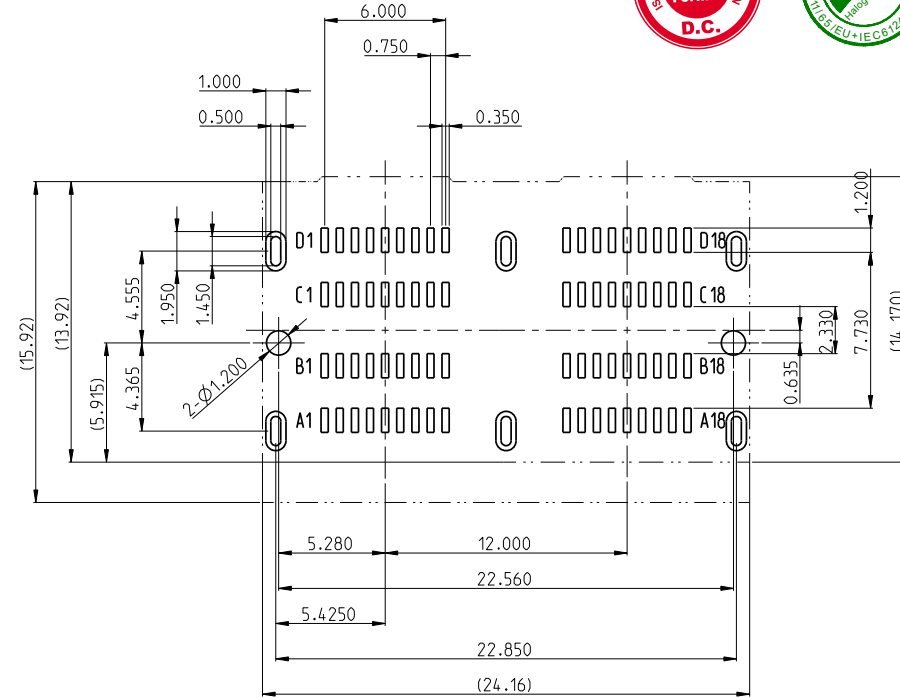
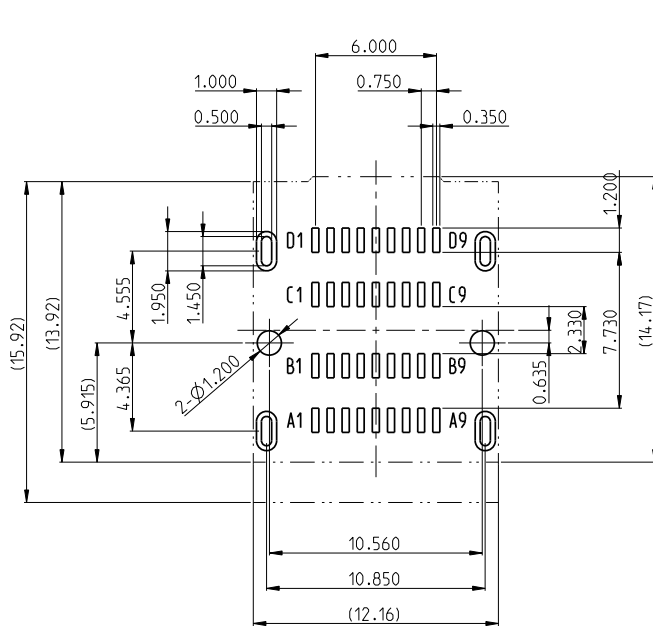
TOLERANCE	DRAWN	APPROVALS	DATE	TITLE				
X.	DESIGNED	Hank Hsu	04/28/2014	MINI SAS HD INTEGRATED CONNECTOR	Amphenol Corporation Amphenol Taiwan Corporation			
X.X ±0.30	CHECKED	Sondra Sang	04/28/2014	0.75 PITCH, V/T, SMT TYPE	UNIT	SIZE	PART No.	G40HCXXXXXHR
X.XX ±0.20	APPROVED	Hank Hsu	04/28/2014		mm	A3	DWG No.	G40HCXXXXXHR
X.XXX ±0.10	DWG TYPE	CUST DWG	PROJECT CODE		SCALE	SHEET	REV.	A
ANGULAR ±2°	UNLESS OTHERWISE SPECIFIED		1515	NA	2 OF 3			

ORIGINAL

REVISIONS				
SYM	ECN No.	DESCRIPTION	DATE	BY
A	NE-14070	NEW RELEASE	04/28/2014	HANK HSU

This document is the property of Amphenol Corporation and is delivered on the express condition that it is not to be disclosed, reproduced or used, in whole or in part, for manufacture or sale by anyone other than Amphenol Corporation without its prior consent, and that no right is granted to disclose or to use any information in this document.

The marking on this product doesn't contain environmental hazardous materials per Material Specification SS-00259 for Sony GP compliant or per directive 2011/65/EU for RoHS compliant.



NOTES:

1. RECOMMENDED PCB HOLE Ø1.20 IS NPTH FOR ORIENTATION POST.
2. RECOMMENDED PCB ELLIPTICAL HOLE 0.5X1.45 IS PTH FOR BOARD-LOCK.
3. MINIMUM PCB THICKNESS: 1.57MM
4. PIN ASSIGNMENTS PLEASE REFER TO SERIAL ATTACHED SCSI-3 (SAS-3) STANDARD.

TOLERANCE	DRAWN	APPROVALS	DATE	TITLE	Amphenol® Amphenol Corporation Amphenol Taiwan Corporation			
X.	DESIGNED	Hank Hsu	04/28/2014	MINI SAS HD INTEGRATED CONNECTOR 0.75 PITCH, V/T, SMT TYPE	UNIT		SIZE	PART No.
X.X ±0.30	CHECKED	Sondra Sang	04/28/2014		mm	A3	G40HCXXXXXHR	
X.XX ±0.20					APPROVED	Hank Hsu	04/28/2014	SCALE
X.XXX ±0.10	UNLESS OTHERWISE SPECIFIED		CUST DWG	PROJECT CODE	NA	3 OF 3	G40HCXXXXXHR	REV.
ANGULAR ±2°			1515					A

# Mouser Electronics

Authorized Distributor

Click to View Pricing, Inventory, Delivery & Lifecycle Information:

[FCI / Amphenol:](#)

[G40HC232211HR](#) [G40HC132212HR](#) [G40HC132211HR-C](#) [G40HC232212HR-C](#)