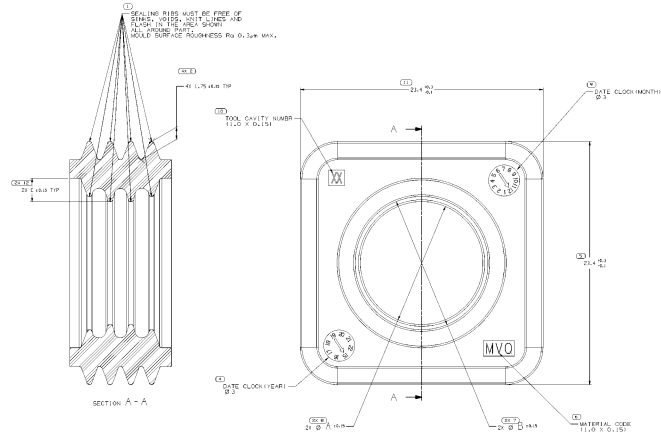
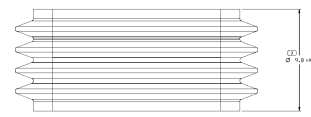
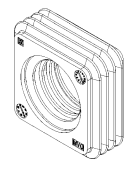


SYMBOL DEFINITION	NO. OF SHEETS	NO. OF SHEETS	NO. OF SHEETS	NO. OF SHEETS
A DIMENSIONAL FINISHES ARE SUBJECT TO PERIODIC CHANGE AND SHALL BE PROVED FUNCTIONAL. IT SHALL BE CONTROLLED ON THE INDIVIDUAL COMPONENT DRAWING.	TOTAL NO. OF SHEETS REQUIRED	NO. SHEETS DRAWN	NO. SHEETS CHECKED	NO. SHEETS IN STOCK
	10	10	10	10
	LAST NO.			
	12			



- NOTES:
- UNLESS OTHERWISE SPECIFIED AND/OR INDICATED: DIMENSIONS ARE TO FACE OF VIEW UNLESS OTHERWISE SPECIFIED. DIMENSIONS IN PARENTHESES ARE FOR INFORMATION ONLY. OTHER DIMENSIONS NOT SHOWN BUT REQUIRED FOR TOOLING SHALL BE AS SHOWN FOR PREVIOUS TOOL PARTS ONLY.
 - THIS PRODUCT IS NOT CATEGORIZED AS AN APPEARANCE ITEM, WITH IMPROVED TOLERANCES AND FINISHES. DIMENSIONS AND FITS SHALL BE AS SHOWN BUT REQUIRE FOR TOOLING SHALL BE AS SHOWN FOR PREVIOUS TOOL PARTS ONLY.
 - THIS PART IS TYPICALLY USED TO MACHINING TYPICAL PART DIMENSIONS AND EQUAL.
 - PARTS ARE TO BE PACKAGED IN SEALED BAGS.
 - ONLY RECOMMENDED CABLE TOOL TO LISTED. CABLE TOOL TO BE USED MUST BE VALIDATED. ALL OTHER CABLE SUPPLIERS' CABLE STYLES MUST BE VALIDATED.

REV	REV	DESCRIPTION	MATERIAL SPECIFICATION & COLOR	VOLUME	DATE	BY	CHK	APP	CABLE CD
35120132	01	CABLE SEAL 45 MP	RUBBER/MS	1-113	11-18	10-01	2-05	12-24	
35120133	01	CABLE SEAL 50 MP	RUBBER/MS	2-255	11-18	12-01	2-05	12-24	
35120134	01	CABLE SEAL 50 MP	RUBBER/MS	2-255	11-18	12-01	2-05	12-24	

DELPHI
 DELPHI SYSTEMS CORPORATION
 3355952
 3355952

Mouser Electronics

Authorized Distributor

Click to View Pricing, Inventory, Delivery & Lifecycle Information:

[Aptiv:](#)

[35172732](#)