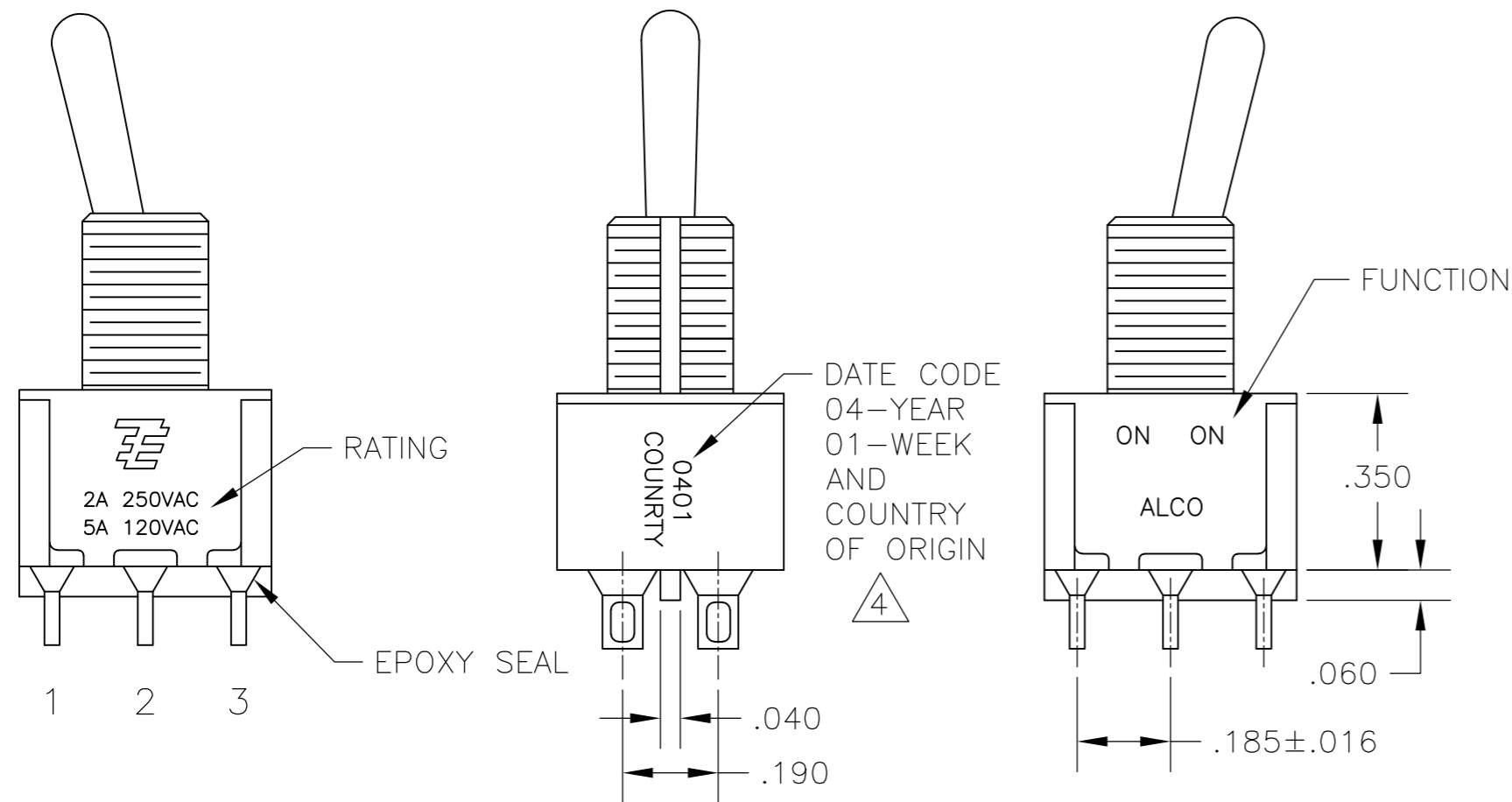
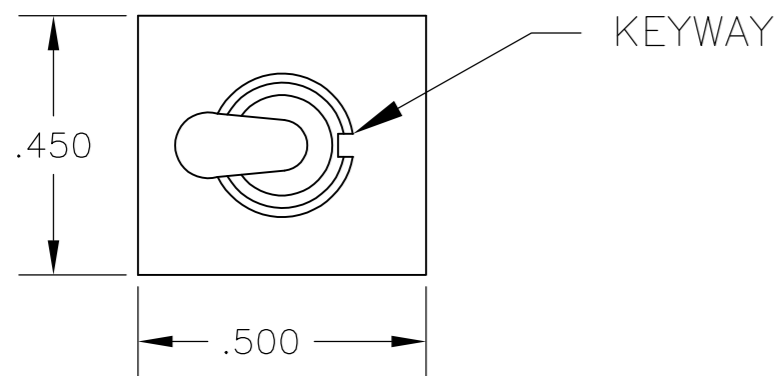


THIS DRAWING IS UNPUBLISHED. RELEASED FOR PUBLICATION
 © COPYRIGHT - By - ALL RIGHTS RESERVED.

LOC		DIST		REVISIONS			
AD	00	P	LTR	DESCRIPTION	DATE	DWN	APVD
		A5		REVISED PER ECO-14-005988	23APR2014	NK	RH



- ALL MATERIALS AND FINISHES SHALL COMPLY WITH EU DIRECTIVE 2002/95/EC OF 27JAN2003 (ROHS).
- EACH SWITCH WITH THREADED BUSHINGS SUPPLIED WITH THE FOLLWING MOUNTING HARDWARE:
 (2) HEX NUTS
 (1) INTERNAL TOOTH LOCKWASHER
 (1) LOCATING RING.
- G CONTACT OPTION CAN BE USED FOR SIGNAL OR POWER LEVEL SWITCHING. IF SWITCH IS USED AT LEVELS EXCEEDING .4VA @ 20V AC/DC, SWITCH IS RENDERED FOR POWER SWITCHING ONLY DUE TO ARC REMOVAL OF GOLD PLATING. RATING MARKED ON FRAME IS 2A 250VAC, 5A 120 VAC.
- DATE CODE AND COUNTRY OF ORIGIN MAY APPEAR ON EITHER SIDE OF SWITCH.
- LENGTH OF TOGGLE REDUCED BY .020 WITH A, AV2, V30 OR V40 VERTICAL SUPPORT BRACKET OPTIONS.
- ALL LOGO, RATING, DATE CODE, AND FUNCTION MARKINGS TO BE LASER MARKED.

FUNCTION	1 2 3 4 5 6	1 2 3 4 5 6	1 2 3 4 5 6
01	ON	NONE	ON
08	ON	NONE	(ON)
TERMINALS CONNECTED	2-3, 5-6	---	1-2, 4-5

None: No mechanical position
 Off: Mechanical position with no electrical connection
 (On): Momentary action

RATING, B CONTACTS	.4VA MAX @20V MAX. AC OR DC
RATING, G CONTACTS—SEE NOTE 3	.4VA MAX @20V MAX. AC OR DC OR 5A @120 VAC OR 28 VDC (RESISTIVE)
	2A @250 VAC (RESISTIVE)
RATING, Q CONTACTS	5A @120 VAC OR 28 VDC (RESISTIVE)
	2A @250 VAC (RESISTIVE)
ELECTRICAL LIFE	6,000 CYCLES AT RATED LOAD
CONTACT RESISTANCE	10 MILLIOHMS MAX INITIAL @ 2-4VDC, 100ma
INSULATION RESISTANCE	1,000 MEGOHMS MIN
DIELECTRIC WITHSTANDING VOLTAGE	1,000 V RMS AT SEA LEVEL
OPERATING TEMPRATURE	-30C TO 85C

MODEL	FUNCTION	TOGGLE	BUSHING	TERMINAL	CONTACT	RoHS
A2	01	K	CW	A	B	04
		K1	D	AV2	G	
	08	L	D9	C	Q	
		L1	H	V30		
		L2	Y	V40		
		M	Y9	V70		
		P3		W		
		S		W4		
		T		Z		
		T1		Z3		

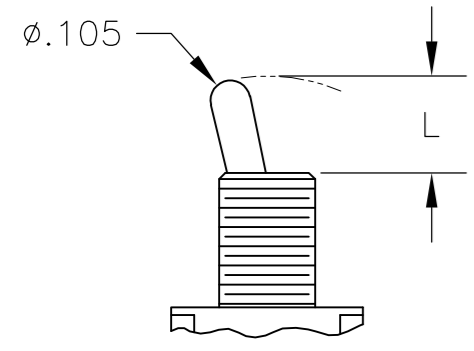
EXAMPLE: A201SYCQ04

THIS DRAWING IS A CONTROLLED DOCUMENT.		DWN	M. ZITTO	18MAY05				
DIMENSIONS: INCHES		CHK	M. ZITTO	-				
TOLERANCES UNLESS OTHERWISE SPECIFIED:		APVD	M. ZITTO	-	GEMINI A SERIES TOGGLE SWITCH, DOUBLE POLE, 2 POSITION FUNCTIONS (01 & 08)			
0 PLC ± -		PRODUCT SPEC	-	-				
1 PLC ± -		APPLICATION SPEC	-	-	SIZE	CAGE CODE	DRAWING NO	RESTRICTED TO
2 PLC ± -					A2	00779	C=1825138	-
3 PLC ± .010					SCALE 3:1			SHEET 1 of 4
4 PLC ± -					CUSTOMER DRAWING			REV A5
ANGLES ± 2°								
FINISH								

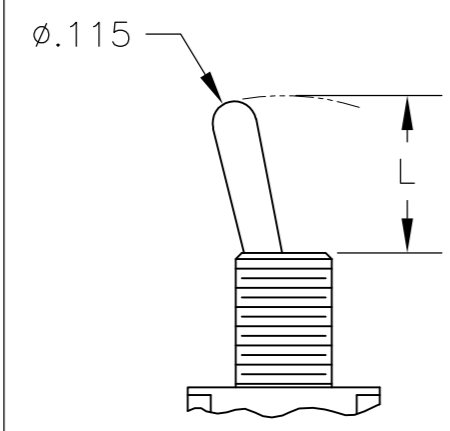
THIS DRAWING IS UNPUBLISHED. RELEASED FOR PUBLICATION
 © COPYRIGHT - By - ALL RIGHTS RESERVED.

REVISIONS				DATE	DWN	APVD
P	LTR	DESCRIPTION				
-	-	SEE SHEET 1	-	-	-	-

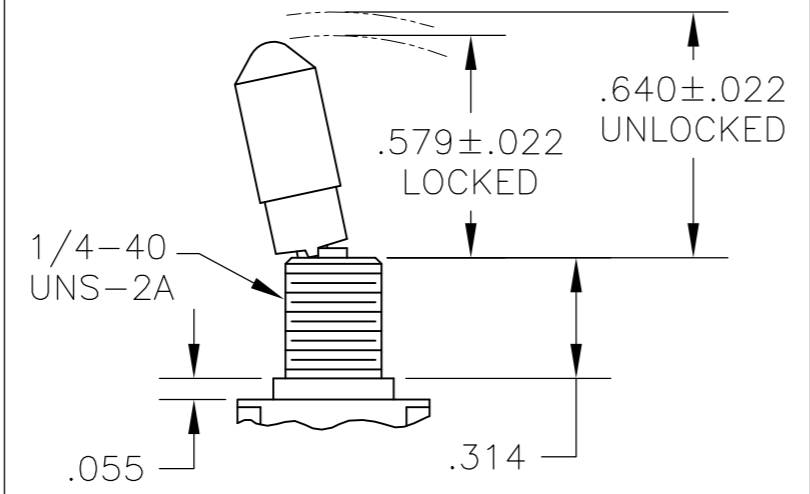
TOGGLES



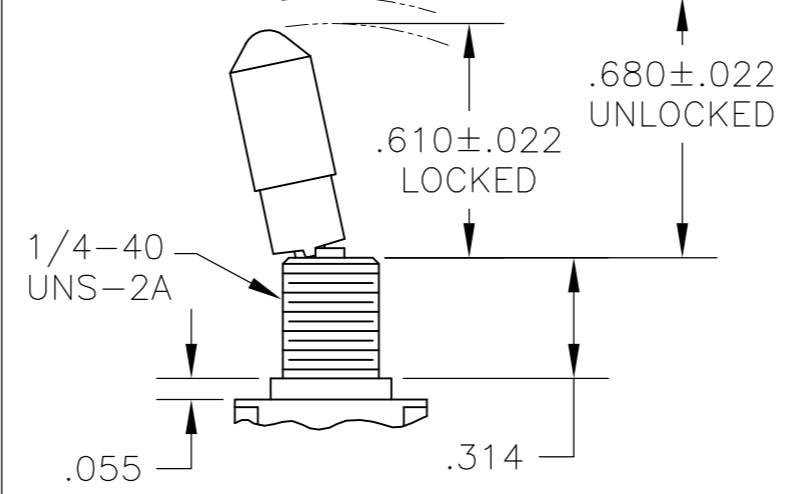
M SHORT



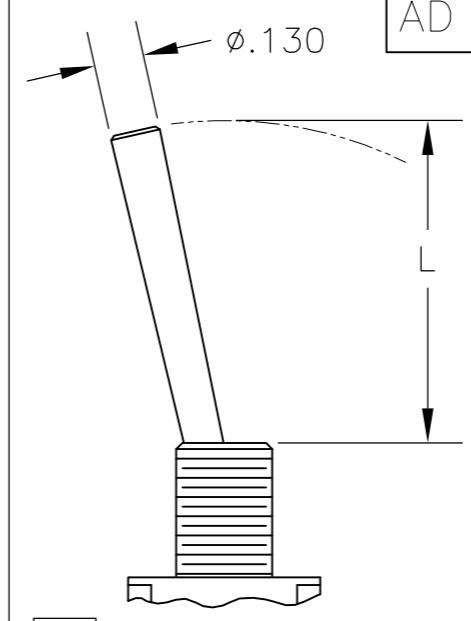
S STANDARD



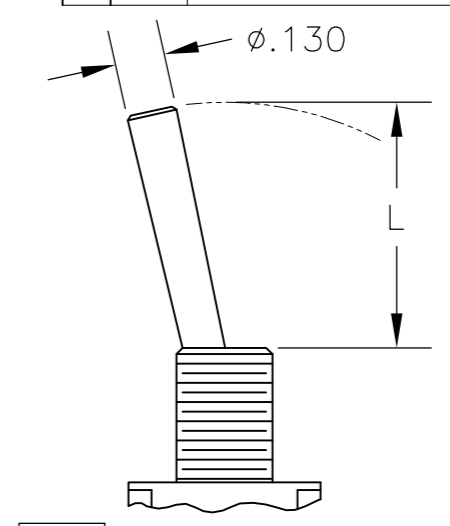
K NO BUSHING OPTION NEEDED



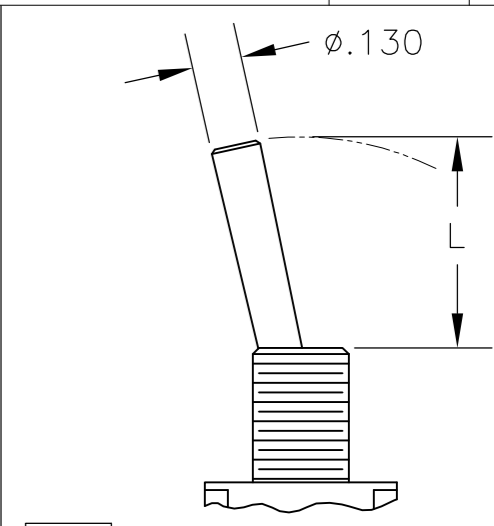
K1 NO BUSHING OPTION NEEDED



L LEVER



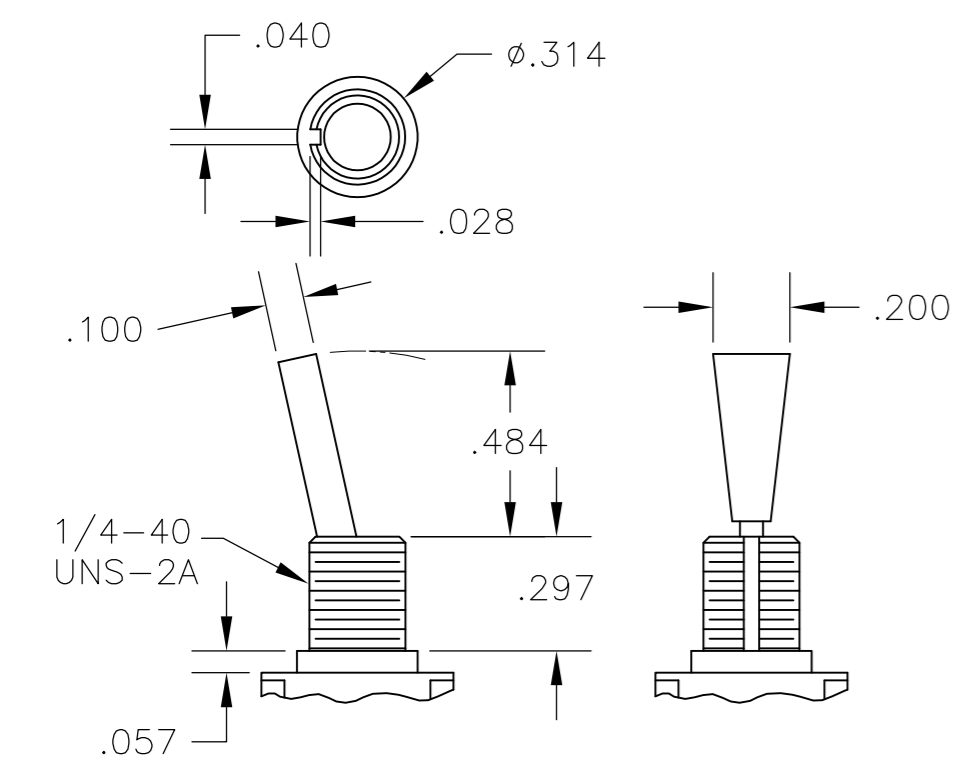
L1 LEVER



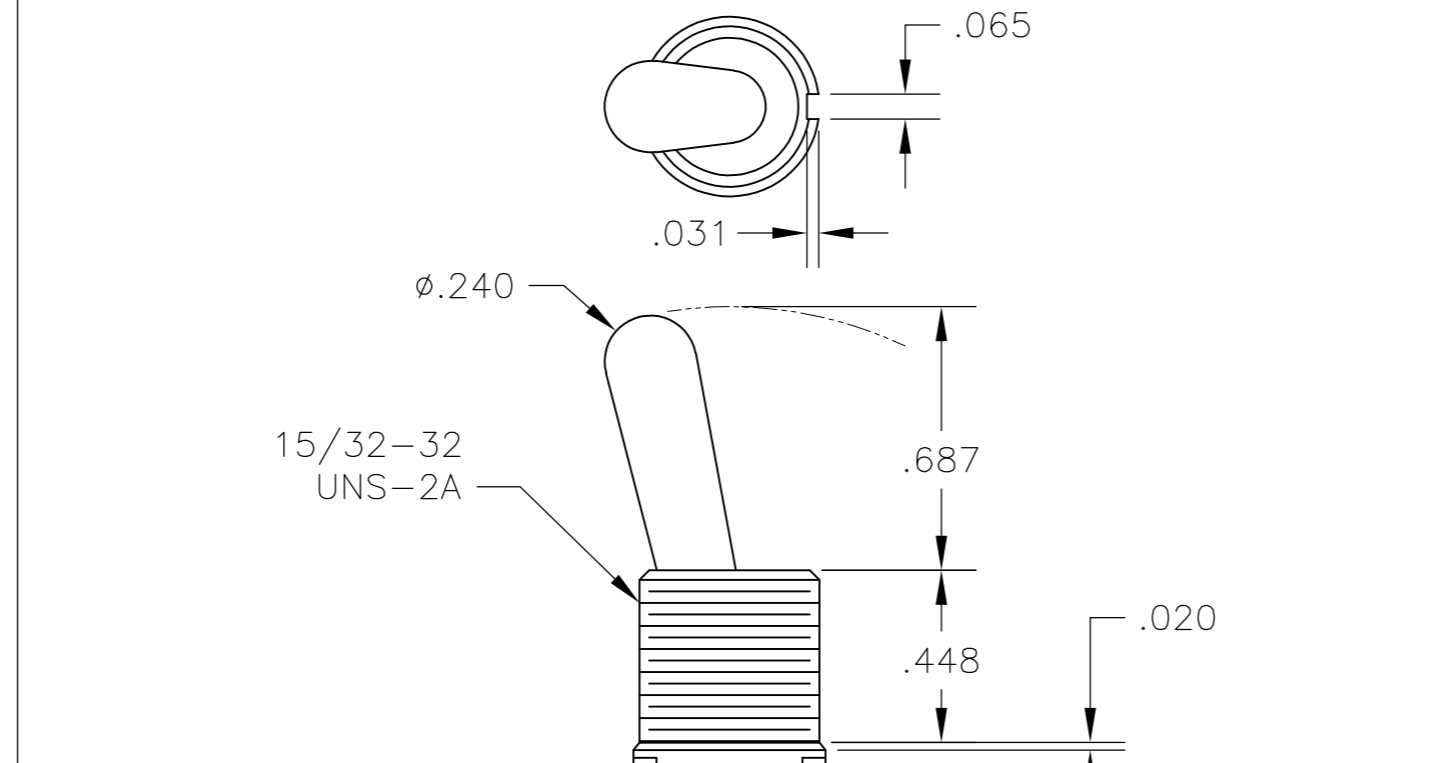
L2 LEVER

DIM L	BUSHING TYPE	DIM L	BUSHING TYPE
.200	Y, H	.410	Y, H
.270	D, D9	.480	D, D9

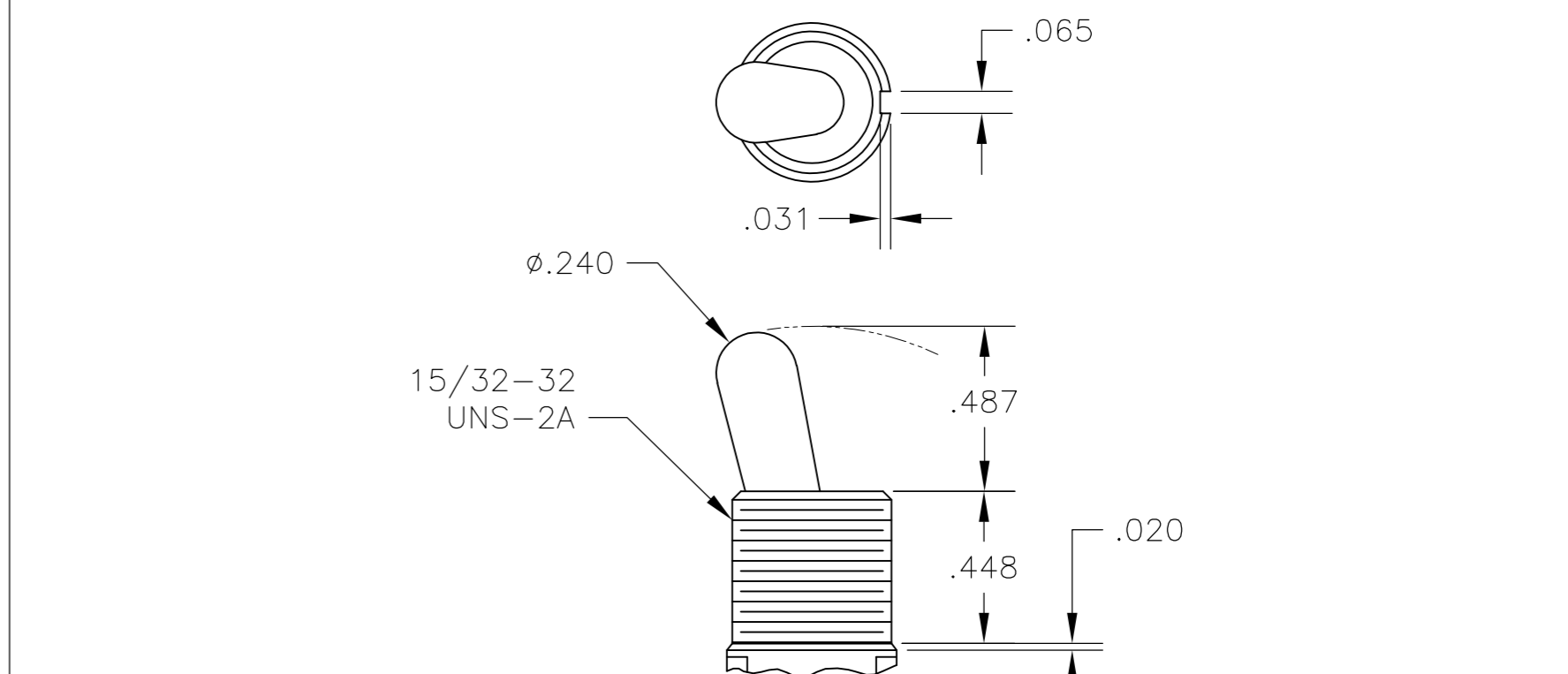
DIM L	BUSHING TYPE	DIM L	BUSHING TYPE	DIM L	BUSHING TYPE
.840	Y, H	.640	Y, H	.550	Y, H
.910	D, D9	.710	D, D9	.620	D, D9



P3 NO BUSHING OPTION NEEDED

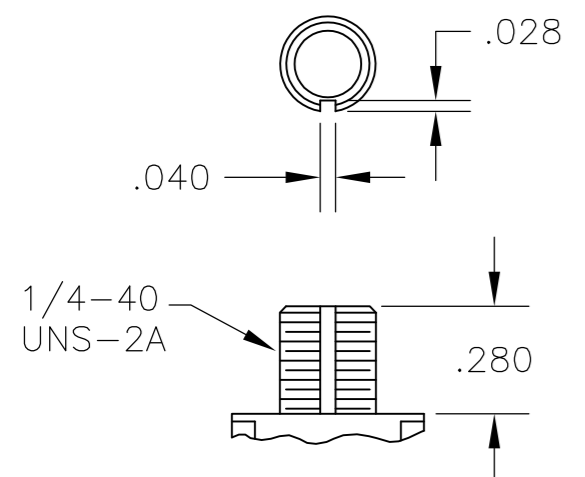


T NO BUSHING OPTION NEEDED

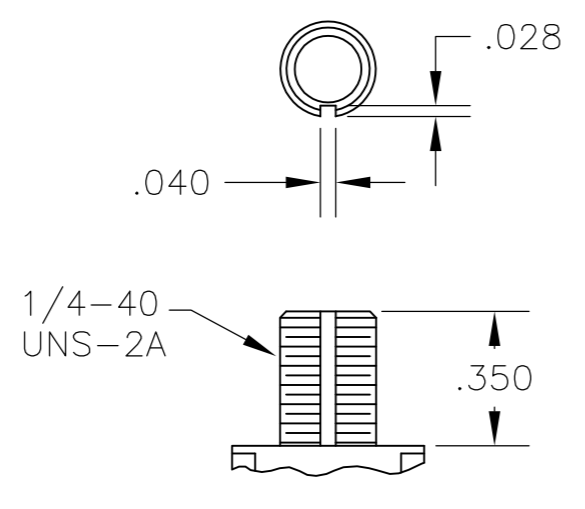


T1 NO BUSHING OPTION NEEDED

BUSHINGS

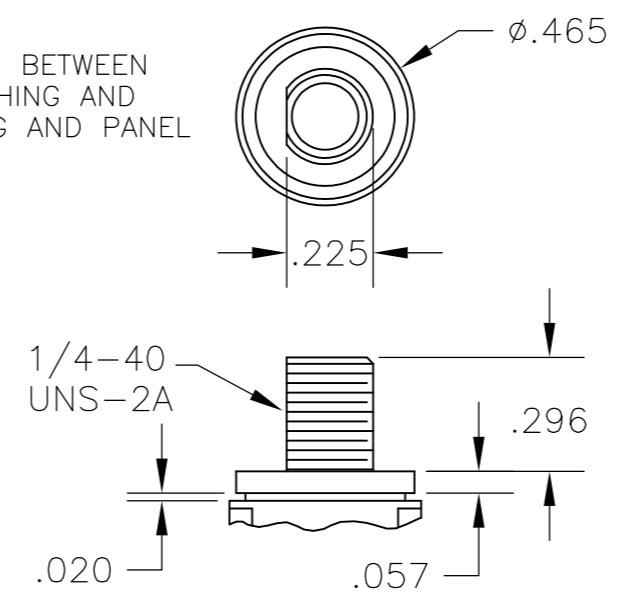


D THREADED
D9 UNTHREADED

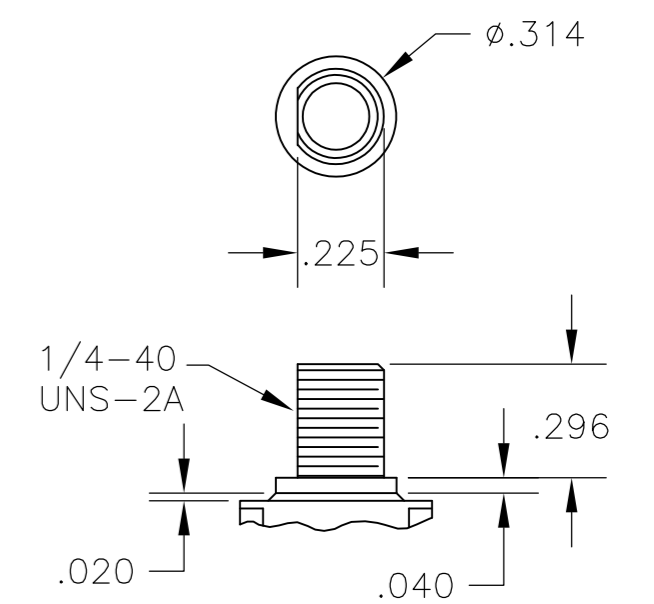


Y THREADED
Y9 UNTHREADED

CONTAINS O-RING BETWEEN TOGGLE AND BUSHING AND BETWEEN BUSHING AND PANEL



CW THREADED SPLASHPROOF



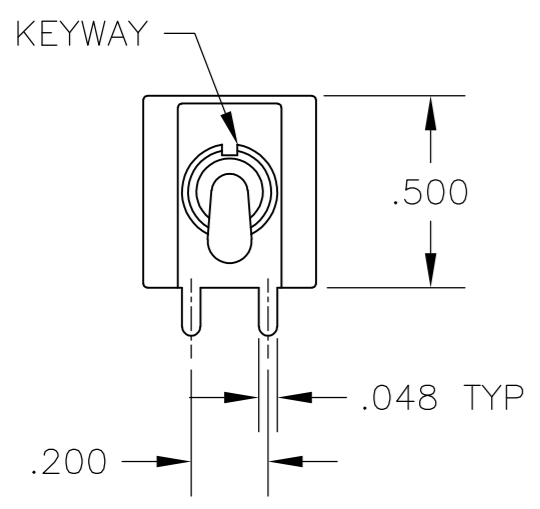
H HIGH TORQUE

THIS DRAWING IS A CONTROLLED DOCUMENT.

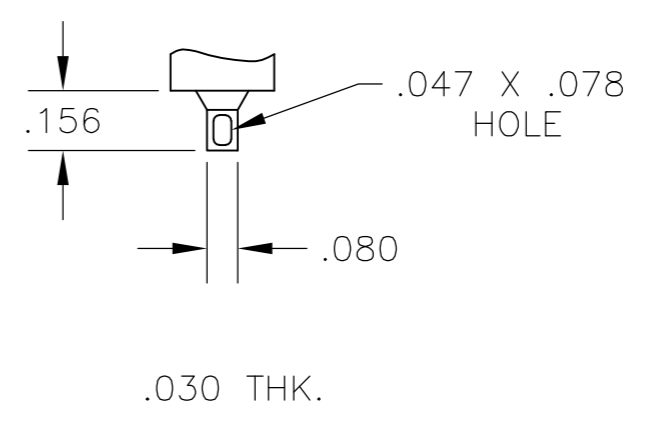
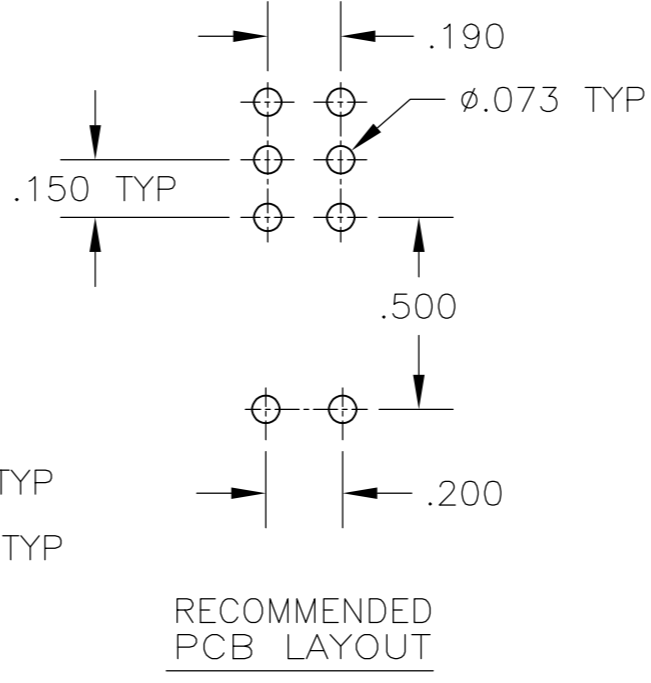
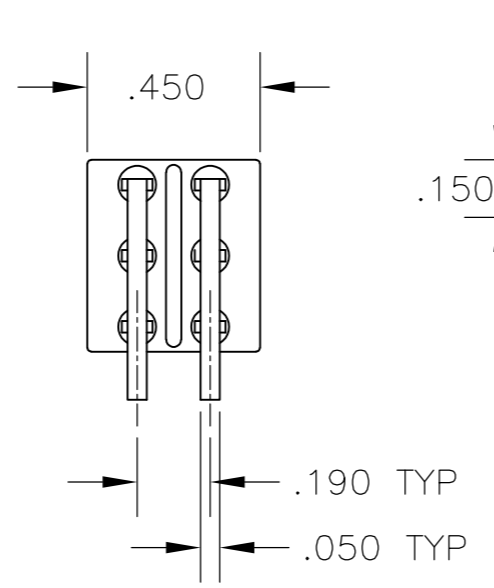
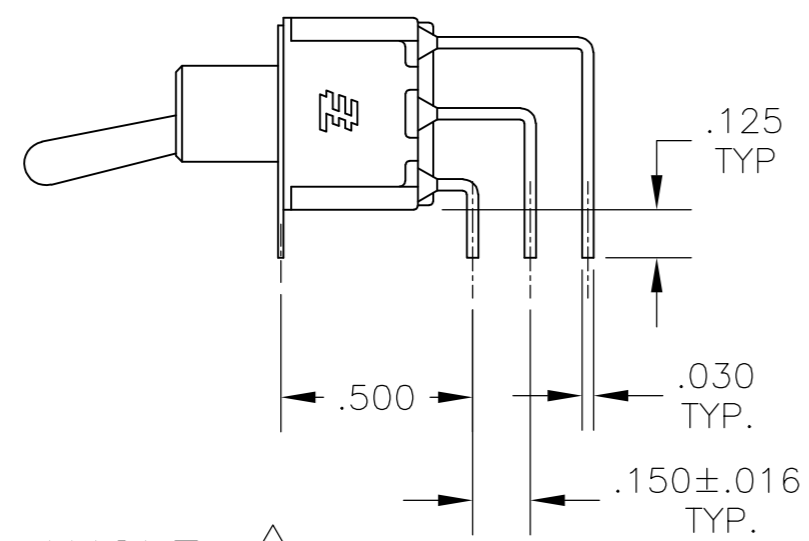
DIMENSIONS: INCHES	TOLERANCES UNLESS OTHERWISE SPECIFIED:	DWN: M. ZITTO	14APR05		TE Connectivity	
	0 PLC ± -	CHK: M. ZITTO	-		GEMINI A SERIES TOGGLE SWITCH, DOUBLE POLE, 2 POSITION FUNCTIONS (01 & 08)	
	1 PLC ± -	APVD: P. BROUILLETTE	-			
	2 PLC ± -	PRODUCT SPEC	-			
3 PLC ± .010	APPLICATION SPEC	-	SIZE: A2	CAGE CODE: 00779		DRAWING NO: C=1825138
4 PLC ± -	FINISH	WEIGHT: -	SCALE: 2:1	SHEET: 2 of 4	REV: A5	
MATERIAL: -		CUSTOMER DRAWING				

THIS DRAWING IS UNPUBLISHED. RELEASED FOR PUBLICATION
 © COPYRIGHT - By - ALL RIGHTS RESERVED.

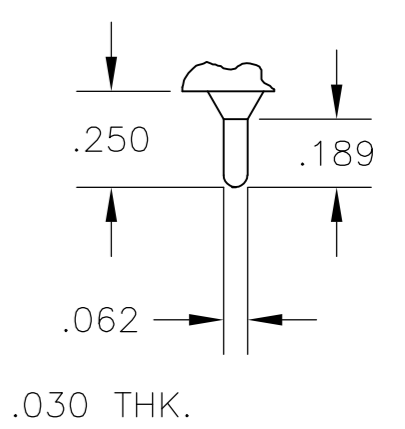
LOC		DIST		REVISIONS				
P	LTR	DESCRIPTION	DATE	DWN	APVD			
AD	00	SEE SHEET 1	-	-	-			



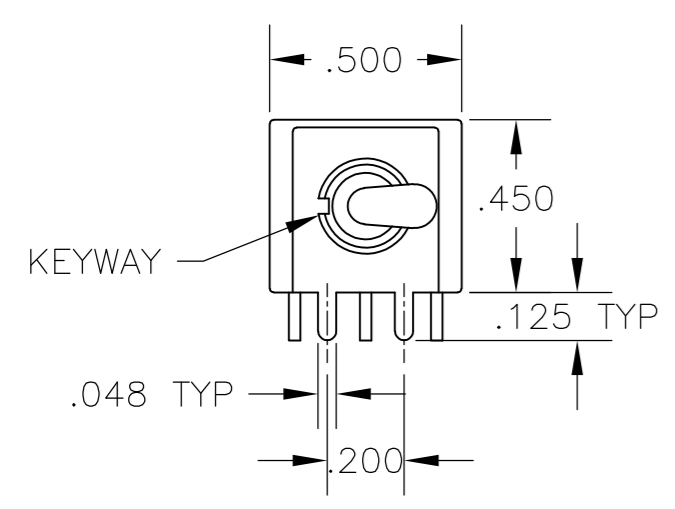
AV2 VERTICAL RIGHT ANGLE $\triangle 5$



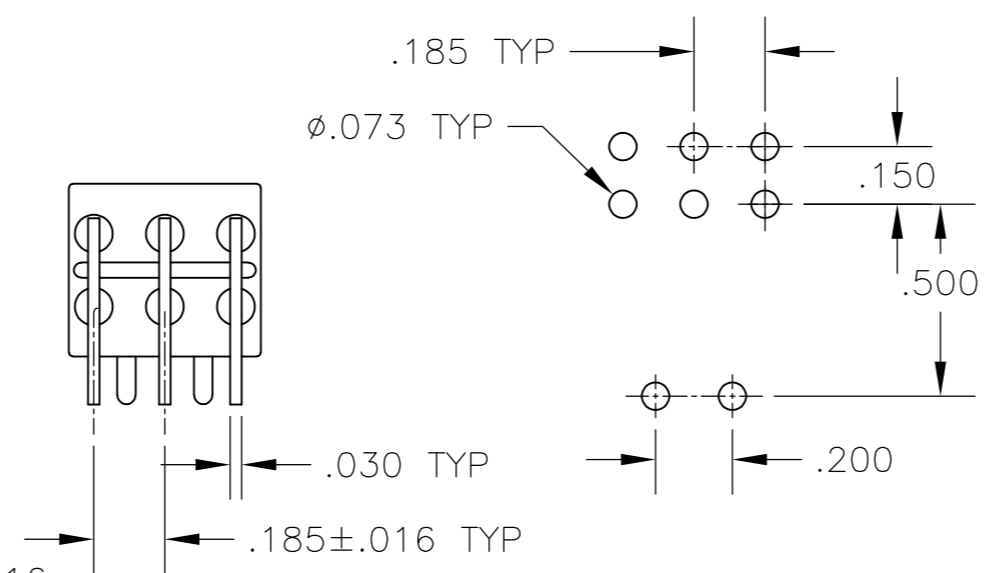
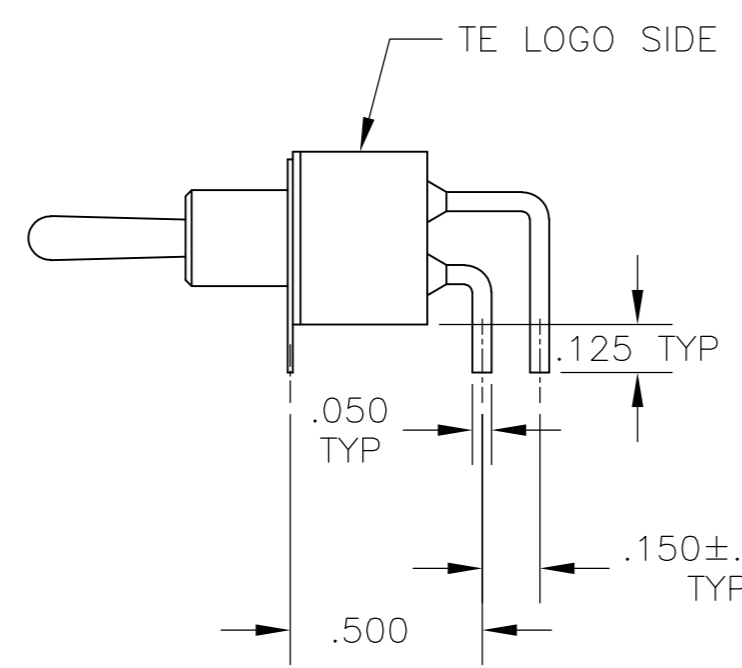
Z WIRE LUG



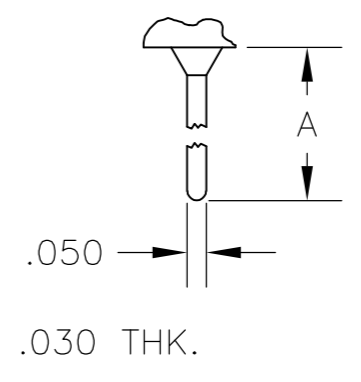
Z3 QUICK CONNECT



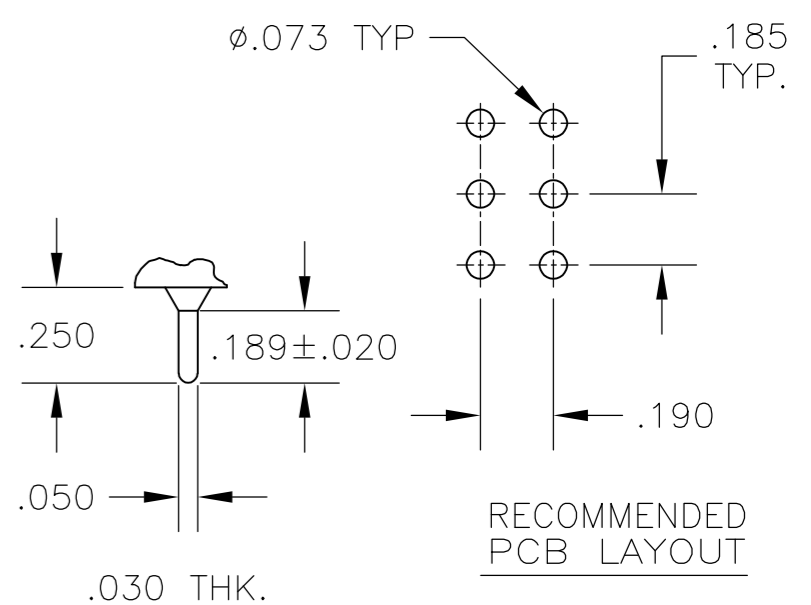
A RIGHT ANGLE $\triangle 5$



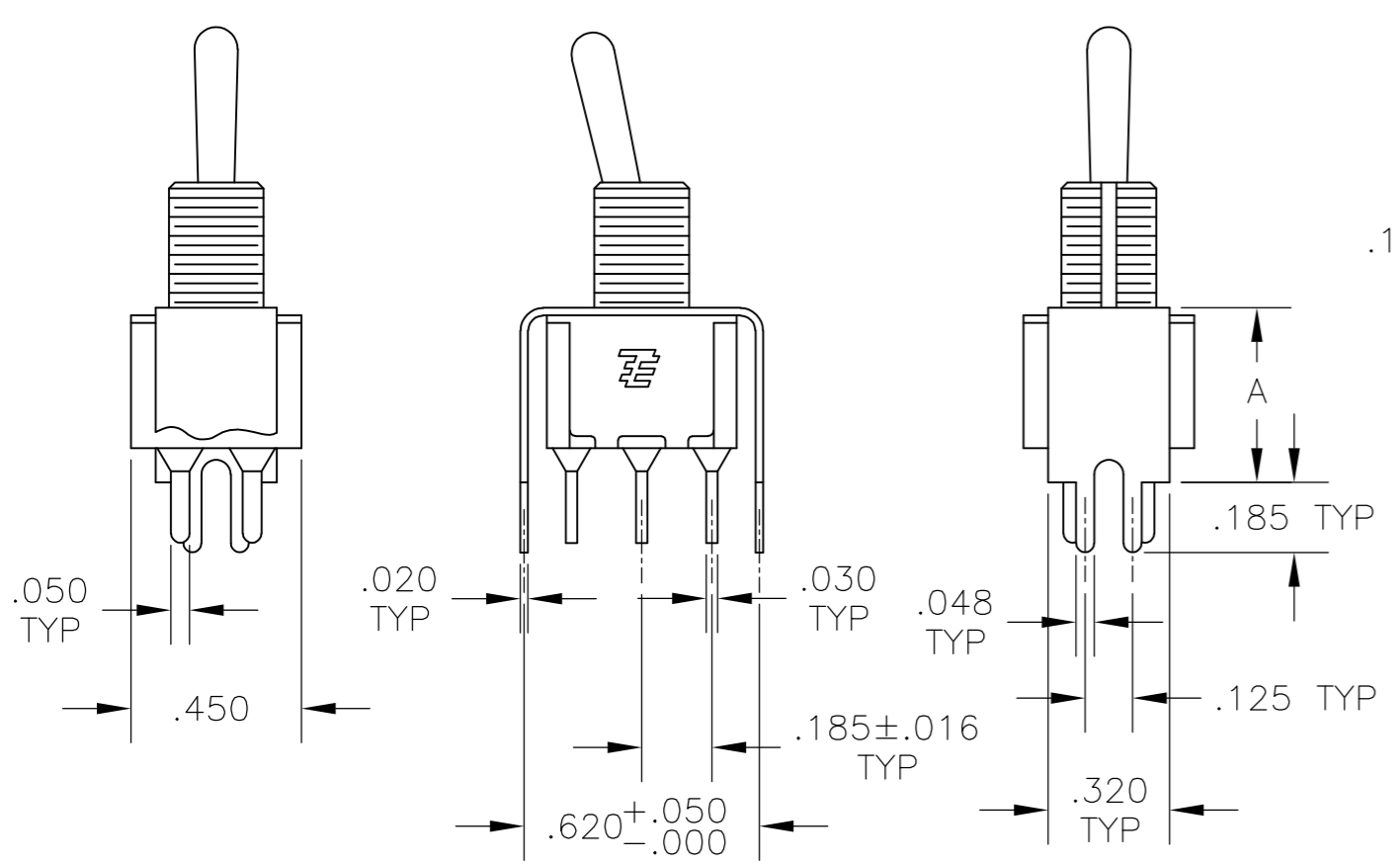
OPTION	DIM A
W	.736
W4	1.062



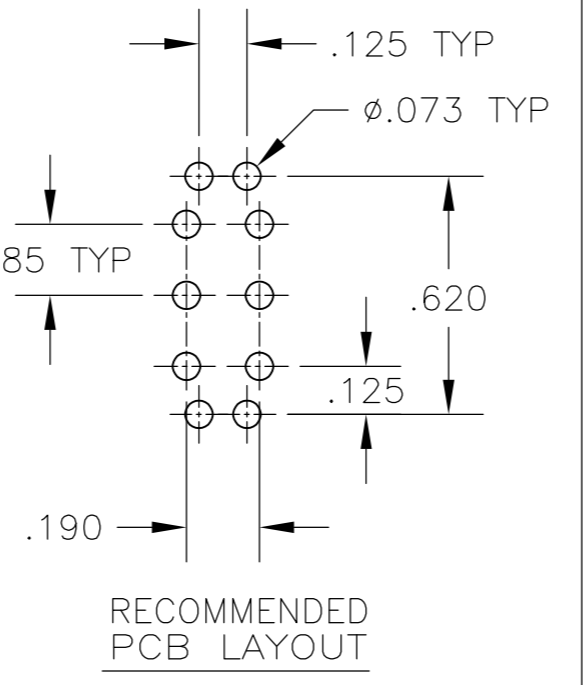
W **W4** WIRE WRAP



C PRINTED CIRCUIT

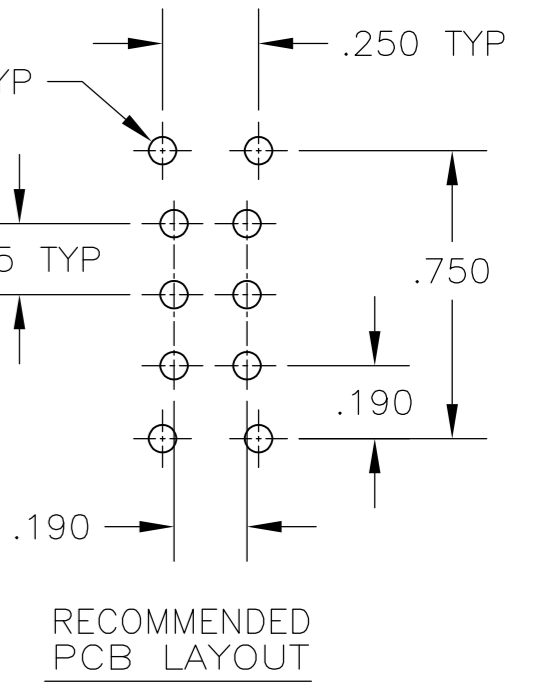
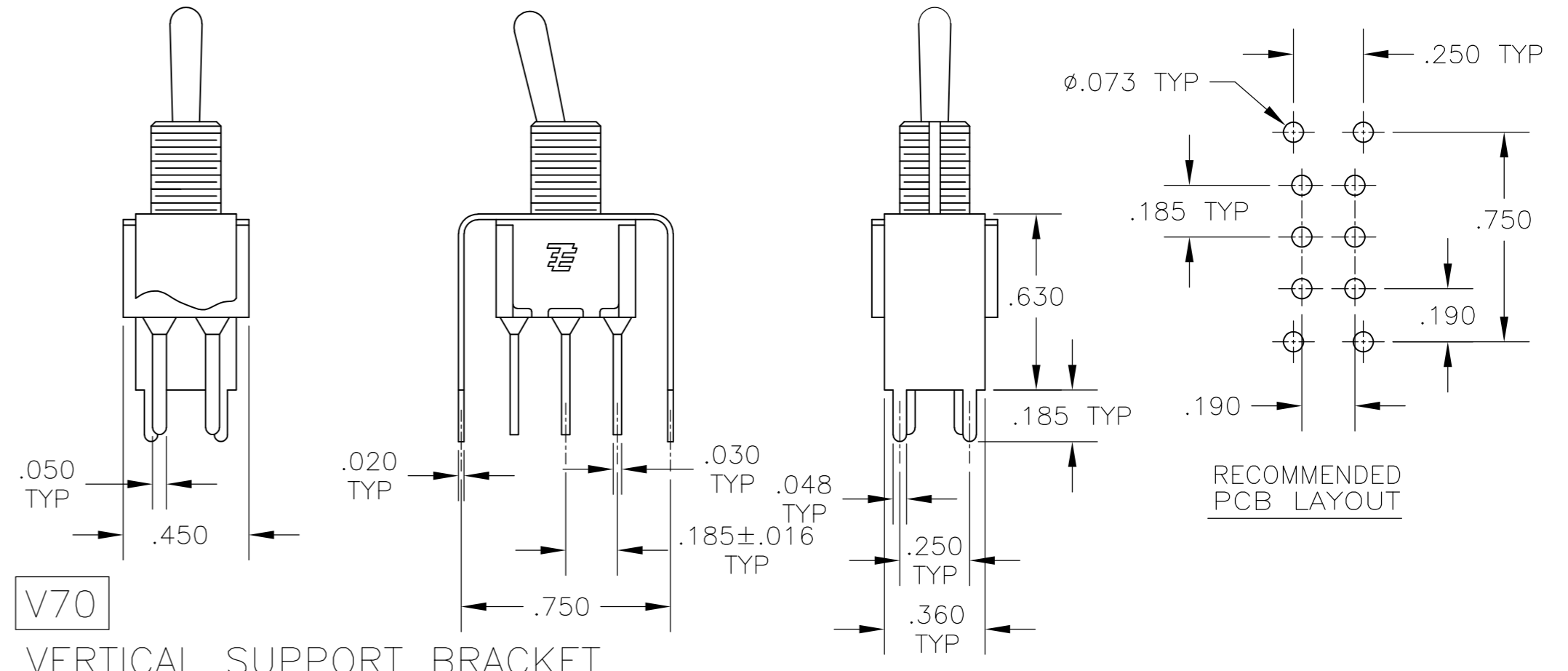


V30 **V40** $\triangle 5$
 VERTICAL SUPPORT BRACKET



OPTION	DIM A
V30	.460
V40	.630

V70
 VERTICAL SUPPORT BRACKET



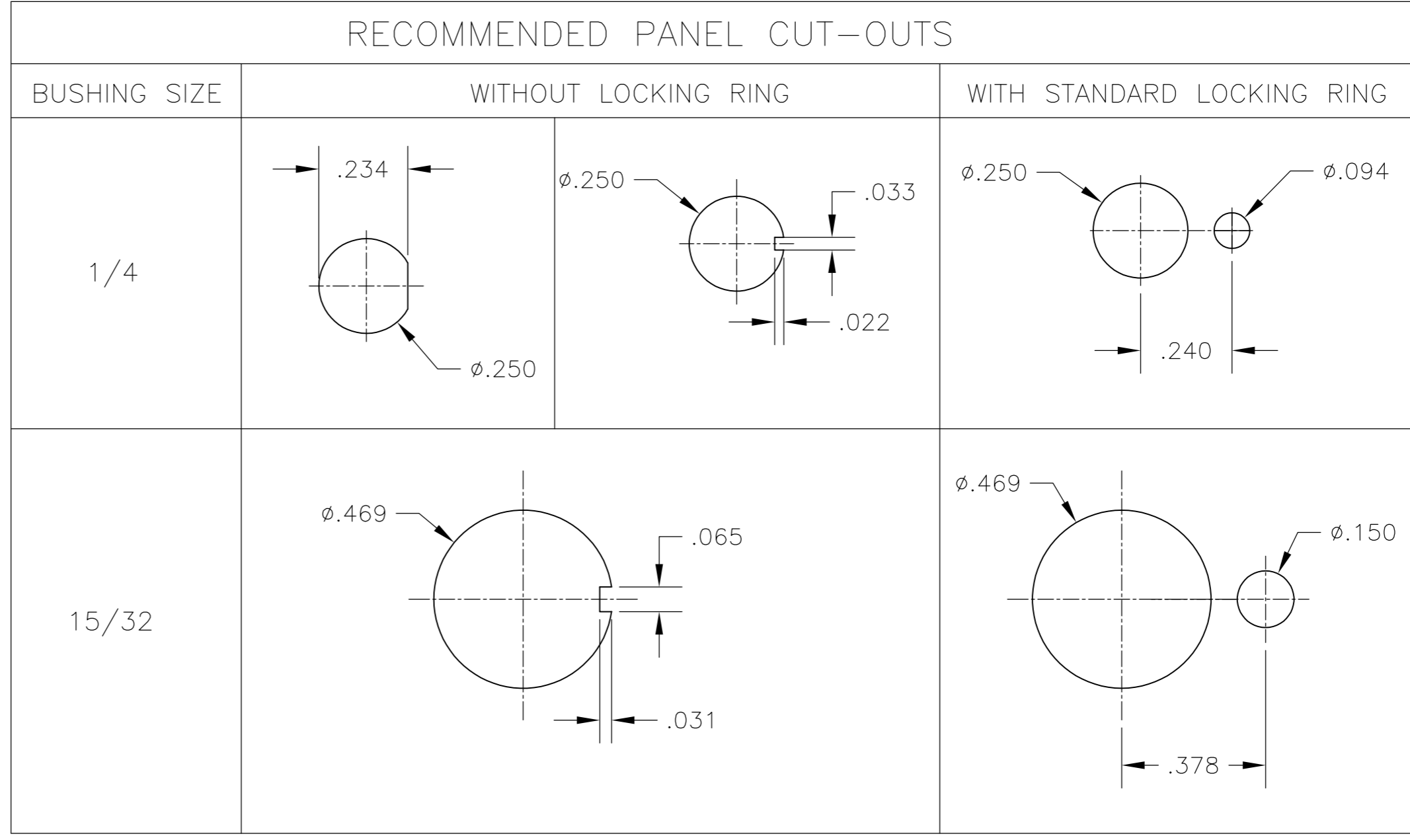
THIS DRAWING IS A CONTROLLED DOCUMENT.

DIMENSIONS: INCHES	TOLERANCES UNLESS OTHERWISE SPECIFIED:	DWN: M. ZITTO	14APR05		TE Connectivity	
		CHK: M. ZITTO			NAME:	GEMINI A SERIES TOGGLE SWITCH, DOUBLE POLE, 2 POSITION FUNCTIONS (01 & 08)
		APVD: P. BROUILLETTE			PRODUCT SPEC:	
		APPLICATION SPEC:			SIZE:	A2
MATERIAL:	FINISH:	WEIGHT:		CAGE CODE:	00779	
		CUSTOMER DRAWING:		DRAWING NO:	C=1825138	
				RESTRICTED TO:		
				SCALE:	2:1	
				SHEET:	3 of 4	
				REV:	A5	

THIS DRAWING IS UNPUBLISHED. RELEASED FOR PUBLICATION
 © COPYRIGHT - By - ALL RIGHTS RESERVED.

LOC	DIST	REVISIONS					
AD	00	P	LTR	DESCRIPTION	DATE	DWN	APVD
		-	-	SEE SHEET 1	-	-	-

Alco P/N	P/N	
A201KAB04	1825138-1	
A201KD9AQ04	1825138-2	
A201KZQ04	1825138-3	
not assigned	1825138-4	
A201L1D9V30Q04	1825138-5	
A201MD9AB04	1825138-6	
A201MD9AQ04	1825138-7	
A201MD9AV2B04	1825138-8	
A201MD9AV2Q04	1825138-9	
A201MDAQ04	1-1825138-0	
not assigned	1-1825138-1	
A201MYAQ04	1-1825138-2	
A201MYCB04	1-1825138-3	
A201MYZQ04	1-1825138-4	
A201P3ZQ04	1-1825138-5	
A201SCWZB04	1-1825138-6	
A201SD9AQ04	1-1825138-7	
A201SD9AV2Q04	1-1825138-8	
A201SDCB04	1-1825138-9	
A201SDZQ04	2-1825138-0	
A201SY9AB04	2-1825138-1	
A201SYAB04	2-1825138-2	
A201SYAQ04	2-1825138-3	
A201SYCB04	2-1825138-4	
A201SYCQ04	2-1825138-5	
A201SYWQ04	2-1825138-6	
A201SYZB04	2-1825138-7	
A201SYZQ04	2-1825138-8	
A201T1ZQ04	2-1825138-9	
not assigned	3-1825138-0	
A201TZQ04	3-1825138-1	
A208KZG04	3-1825138-2	
A208P3ZQ04	3-1825138-3	
A208SD9AQ04	3-1825138-4	
A208SD9AV2Q04	3-1825138-5	
A208SYCB04	3-1825138-6	
A208SYCQ04	3-1825138-7	
A208SYZQ04	3-1825138-8	
A208T1ZQ04	3-1825138-9	
A208TZQ04	4-1825138-0	
A208SDCQ04	4-1825138-1	PRELIMINARY
A201P3V30G04	4-1825138-2	PRELIMINARY
A203MD9AQ-UL	4-1825138-3	PRELIMINARY
A201MCWCB04	4-1825138-4	PRELIMINARY
A201SCWCB04	4-1825138-5	PRELIMINARY



MATERIALS CHART

COMPONENT NAME	BASE MATERIAL	FINISH
CASE	DAP, RED, UL94 V-0	
FRAME	STAINLESS STEEL	
B TERMINALS & CONTACTS	COPPER	GOLD OVER NICKEL
G TERMINALS & CONTACTS	COPPER	GOLD OVER SILVER
Q TERMINALS & CONTACTS	COPPER	.000400 SILVER
ACTUATOR	PHENOLIC, BLACK, UL94 V-1	
LEVER	BRASS	CHROME
BUSHING	BRASS	NICKEL
SPRING	MUSIC WIRE	
SUPPORT BRACKET	BRASS	TIN
PIVOT PIN	STEEL	NICKEL
LOCK WASHER	STAINLESS STEEL	
LOCKING RING	STAINLESS STEEL	
NUTS	C3604BD BRASS	NICKEL
TERMINAL SEAL	EPOXY	

THIS DRAWING IS A CONTROLLED DOCUMENT.		DWN M. ZITTO	14APR05	TE TE Connectivity																	
DIMENSIONS: INCHES		CHK M. ZITTO																			
TOLERANCES UNLESS OTHERWISE SPECIFIED:		APVD P. BROUILLETTE		NAME GEMINI A SERIES TOGGLE SWITCH, DOUBLE POLE, 2 POSITION FUNCTIONS (01 & 08)																	
<table border="0"> <tr><td>0 PLC</td><td>±</td><td>-</td></tr> <tr><td>1 PLC</td><td>±</td><td>-</td></tr> <tr><td>2 PLC</td><td>±</td><td>-</td></tr> <tr><td>3 PLC</td><td>±</td><td>.010</td></tr> <tr><td>4 PLC</td><td>±</td><td>-</td></tr> <tr><td>ANGLES</td><td>±</td><td>-</td></tr> </table>		0 PLC	±		-	1 PLC	±	-	2 PLC	±	-	3 PLC	±	.010	4 PLC	±	-	ANGLES	±	-	PRODUCT SPEC
0 PLC	±	-																			
1 PLC	±	-																			
2 PLC	±	-																			
3 PLC	±	.010																			
4 PLC	±	-																			
ANGLES	±	-																			
MATERIAL		FINISH	WEIGHT	SIZE A2																	
				CAGE CODE 00779																	
				DRAWING NO 1825138																	
				RESTRICTED TO																	
				SCALE 3:1																	
				SHEET 4 of 4																	
				REV A5																	
				CUSTOMER DRAWING																	

Mouser Electronics

Authorized Distributor

Click to View Pricing, Inventory, Delivery & Lifecycle Information:

[TE Connectivity:](#)

[A201KAB04](#)