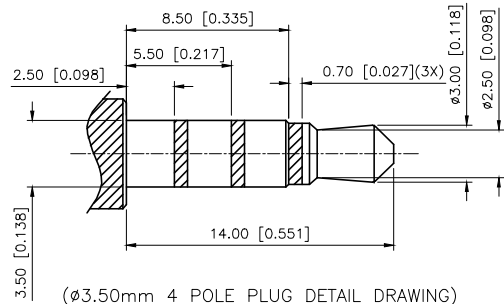
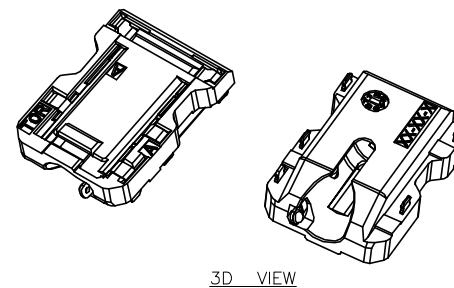
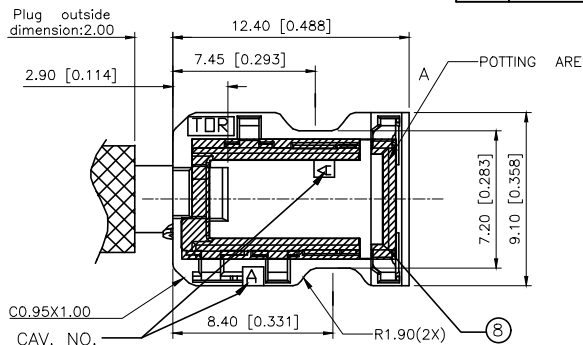


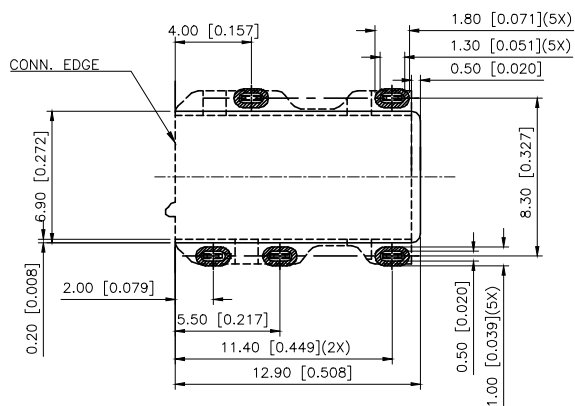
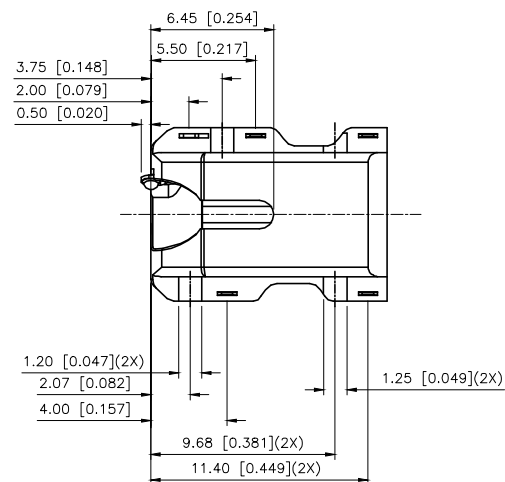
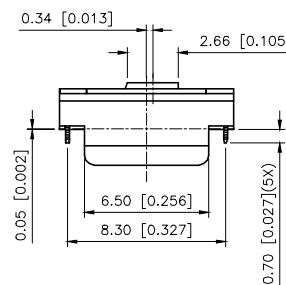
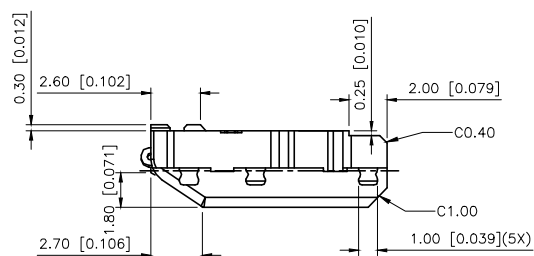
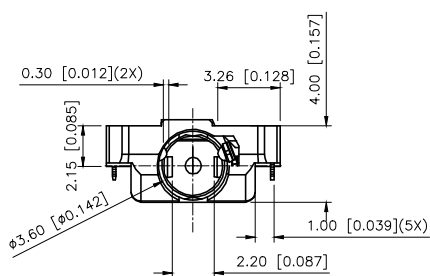
REVISIONS					
REV.	ECN NO.	LOCATION	DESCRIPTION	DATE	DESIGN
A0	N/A		INITIAL RELEASE	/	/
A1	N/A		图面升级整理图面	2025.06.27	阿树



(ϕ 3.50mm 4 POLE PLUG DETAIL DRAWING)



3D VIEW



RECOMMENDED PCB LAYOUT (COMPONENT SIDE)
T=0.70mm, TOL:±0.05

- NOTES:
- CONTACT CURRENT RATING: 1A;
 - CONTACT RESISTANCE: 50 mΩ MAX;
 - INSULATION RESISTANCE: 100MΩ MIN;
 - DIELECTRIC WITHSTANDING: 500V AC MIN;
 - DURABILITY:10,000 CYCLES MIN;
 - CONNECTOR MATING FORCES: 19.6N(2.00KgFMax);
 - CONNECTOR UNMATING FORCES:
TEST BEFORE: 6.85~19.6N (0.70~2.00KgF);
TEST AFTER: 3.90~19.6N (0.40~2.00KgF);

Model No.	PJ-3026
Schematic	

AuGLAR	±5°
X.	±0.40
X.x	±0.30
X.xx	±0.20
X.xxx	±0.15
UNSPECIFIED TOLERANCES	



DESIGN	阿树	VIEW:		MODEL TYPE:	3.5 PHONE JACK	
CHECKED		UNIT:	mm/in	PART NO.:	PJ-3026	
APPROVED		SIZE:	A4	DWG NO.:		
				SCALE	PAGE	REVISION
				N/A	1/1	A1