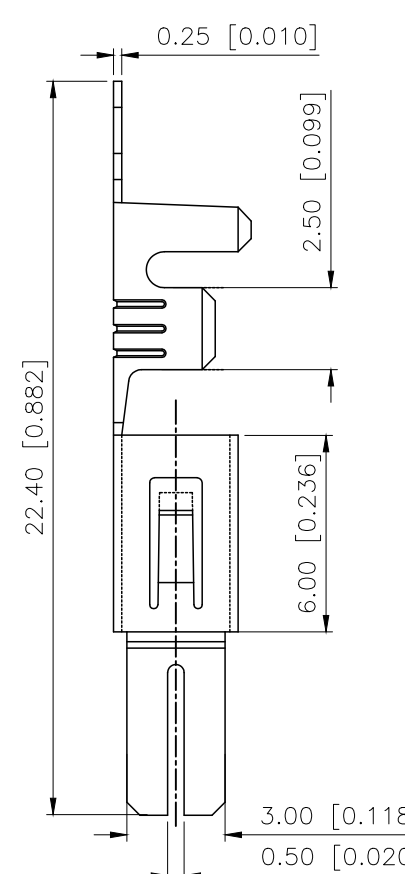
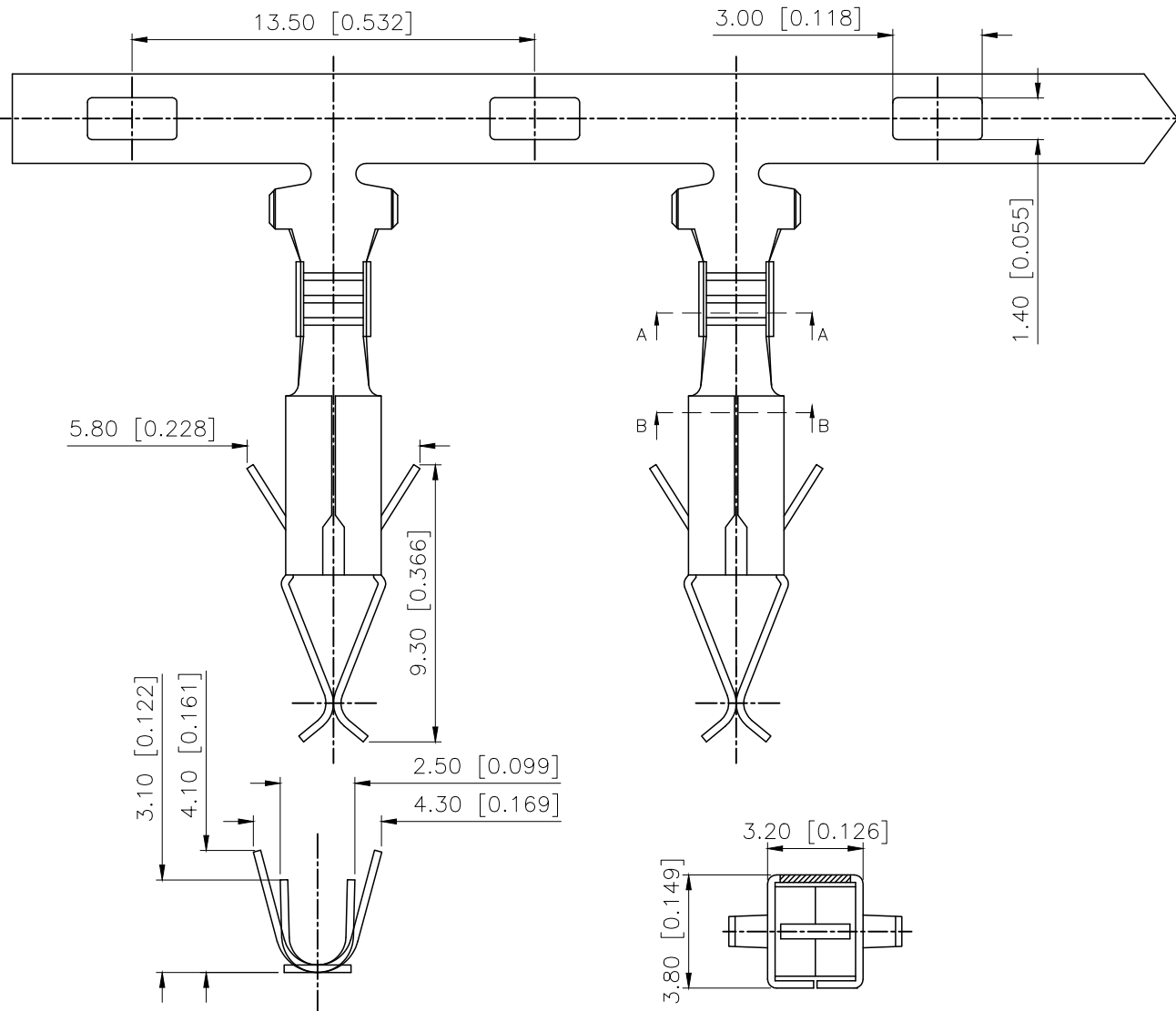


REVISIONS					
REV.	ECN NO.	LOCATION	DESCRIPTION	DATE	DESIGN
A0	N/A		INITIAL RELEASE	/	/
A1	N/A		图面升级整理图面	2025.1.3	阿树



Specifications:
规格:
Voltage rating:250V AC/DC
额定电压: 250V AC/DC
Current rating:5A AC/DC
额定电流: 5A AC/DC
Withstanding voltage:1000V AC/minute
耐受电压: 1000V AC/分钟
Temperature range:-40℃-+125℃
温度范围: -40℃-+125℃
Insulation resistance:500MΩ min
绝缘电阻: 500MΩ Min
Contact resistance:20mΩ Max
接触电阻: 20mΩ Max

PART NO.:
K 602002 I-P SN
① ② ③ ④ ⑤
①K:XKBTEK-Car Connector
②XKB Series No
③Category:T-Terminal
④Material:P-Phosphor Bronze
⑤Plating:SN-Plating Tin

SECTION:A-A
SCALE:1:1

SECTION:B-B
SCALE:1:1

K602002T-PSN	Phosphor Bronze	AWG#20~16	K602202H
PART NO	Material	Wire Range	Suitable XKB Housing

AuGLAR	±5°
X.	±0.40
X.x	±0.30
X.xx	±0.20
X.xxx	±0.15
UNSPECIFIED TOLERANCES	



DESIGN	阿树	VIEW:		MODEL TYPE:	6.0mm Automobile connector
CHECKED		UNIT:	mm/in	PART NO.:	K602002T-PSN
APPROVED		SIZE:	A4	DWG NO.:	

XKB INDUSTRIAL PRECISION CO.,LIMITED

SCALE	PAGE	REVISION
N/A	1/1	A1