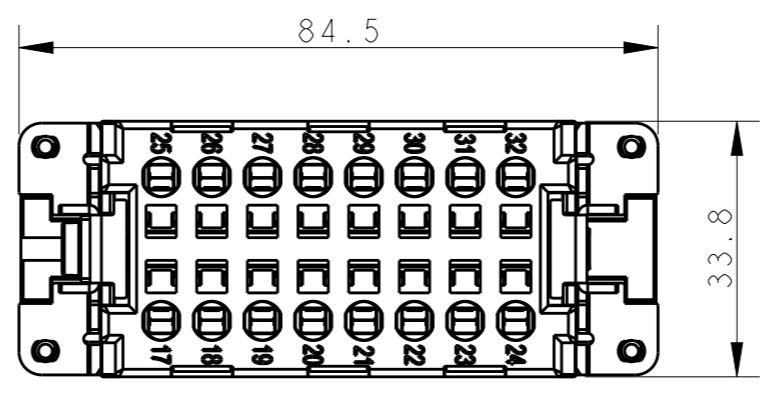
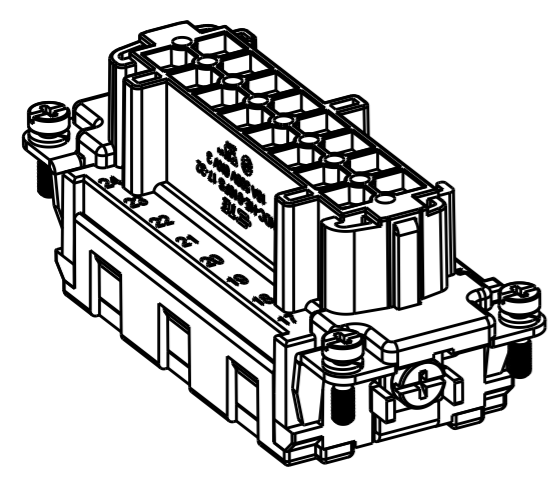
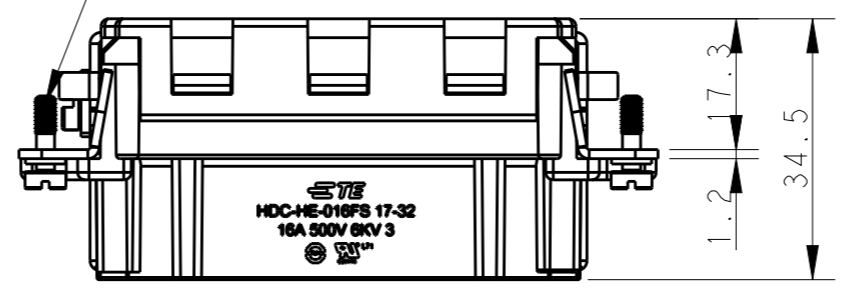


THIS DRAWING IS UNPUBLISHED. RELEASED FOR PUBLICATION 20  
 © COPYRIGHT 20 BY - ALL RIGHTS RESERVED.

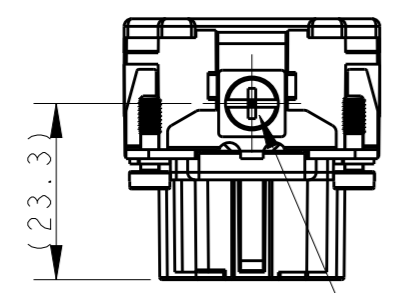
REVISIONS					
P	LTR	DESCRIPTION	DATE	DWN	APVD
A		INITIAL RELEASE	20APR2015	CY	CW
B		ECR-15-013759	09OCT2015	DW	CW



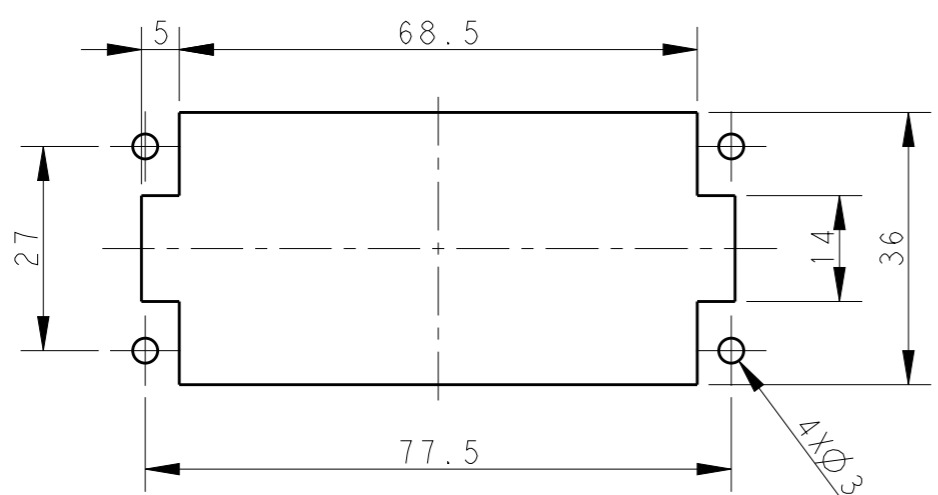
4 X M3 screw,  
recommended tightening  
torque 0.5Nm



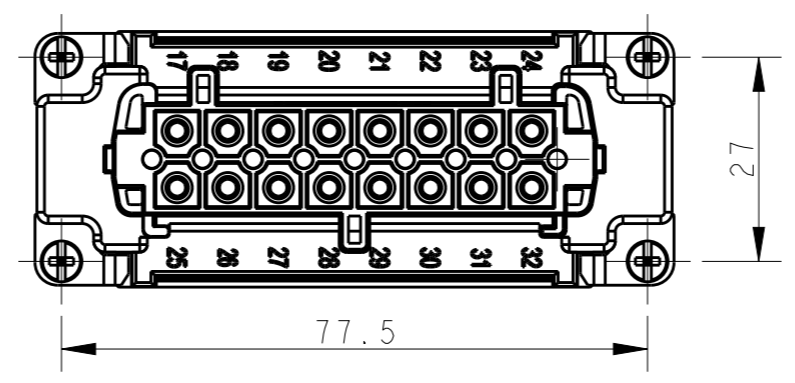
NOTES:  
 1. TECHNICAL CHARACTERISTICS:  
 INSULATION MATERIAL: PC  
 RATED VOLTAGE: 500V  
 RATED CURRENT: 16A  
 INSULATION RESISTANCE:  $\geq 400M\Omega$   
 RATED IMPULSE VOLTAGE: 6KV  
 POLLUTION DEGREE: 3  
 FLAMMABILITY: UL94V-0  
 MATING CYCLES: 500 CYCLES  
 OPERATION TEMPERATURE:  $-40^{\circ}C \sim +125^{\circ}C$   
 WIRE RANGE:  $0.5mm^2 \sim 2.5mm^2$  (AWG20-AWG14)  
 CONTACT TYPE: SPRING CLAMP



M4 screw, recommended  
tightening torque 1.2Nm




不使用防护外壳时芯件的安装开孔图  
 Panel cut out for inserts  
 for use without hoods/housings



注释:  
 1. 技术参数:  
 绝缘材料: PC  
 额定电压: 500V  
 额定电流: 16A  
 绝缘电阻:  $\geq 400M\Omega$   
 脉冲电压: 6KV  
 污染等级: 3  
 阻燃等级: UL94V-0  
 插拔次数: 500 次  
 工作温度:  $-40^{\circ}C \sim +125^{\circ}C$   
 接线范围:  $0.5mm^2 \sim 2.5mm^2$  (AWG20-AWG14)  
 接线类型: 弹片压接

HE-016-FS 17-32	T2040323201-000
DESCRIPTION	PART NUMBER

THIS DRAWING IS A CONTROLLED DOCUMENT.		DWN	15APR2015	 TE Connectivity			
		CHK	15APR2015				
		APVD	15APR2015				
		NAME	Xiang Xu				
DIMENSIONS: mm		PRODUCT SPEC	108-137044	NAME HE-016-FS 17-32			
TOLERANCES UNLESS OTHERWISE SPECIFIED:		APPLICATION SPEC	114-137044				
MATERIAL		WEIGHT	-	SIZE	CAGE CODE	DRAWING NO	RESTRICTED TO
FINISH		Customer Drawing	-	A3	00779	C-T2040323201000	-
		SCALE	1:1	SHEET	1	OF	1
		REV	B				

# Mouser Electronics

Authorized Distributor

Click to View Pricing, Inventory, Delivery & Lifecycle Information:

[TE Connectivity:](#)

[T2040323201-000](#)