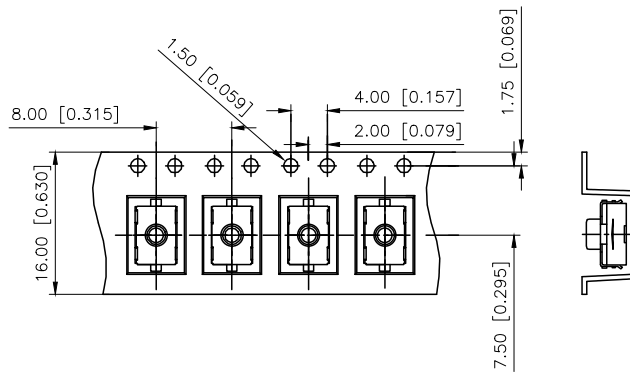
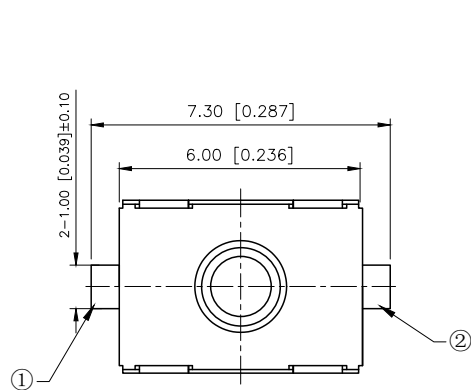
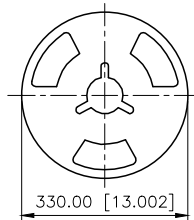
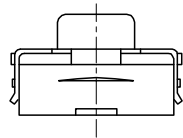
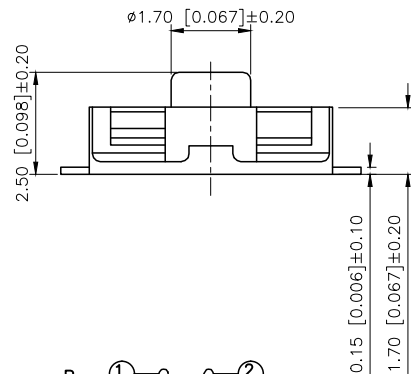


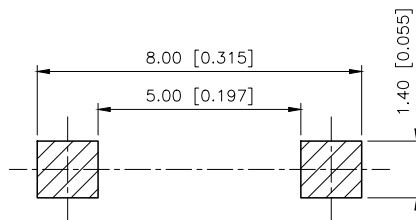
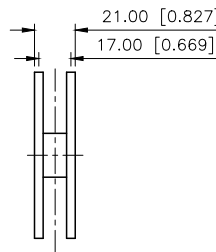
REVISIONS					
REV.	ECN NO.	LOCATION	DESCRIPTION	DATE	DESIGN
A0	N/A		INITIAL RELEASE	/	/
A1	N/A		图面升级整理图面	2025.06.03	阿树



SPECIFICATION
 Contact Rating: 50mA,12V DC
 Contact Resistance: 100mΩ max
 Insulation Resistance: 100MΩ min.500V DC
 Dielectric Strength: 250V AC/1minute
 Travel: 0.25mm
 Operating Temp: -30℃~+85℃
 Storage Temp: -30℃~+80℃



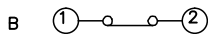
PACKING REEL TYPE
3,000/1REEL(EA)



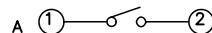
P.C.B MOUNTING HOLES

PAPT NO	TS-1105G-X-X-B
Operating Force	A:100gf B:160gf C:260gf
Height	H:2.5
color	B:black BL:blue
line	A: Normally open B:Normally closed

ITEM	PAPT NAMF	QTY	MATERIAL	FINISHING
⑤	Terminal	2	Brass (0.30t)	Plating silvering
④	Contact	1	F.ag/SUS	Natural
③	Base	1	PA46	
②	Cover	1	Spcc	Plating Nickel
①	Keystake	1	Silica gel	



CIRCUIT DIAGRAM



AuGLAR	±5°
X.	±0.40
X.x	±0.30
X.xx	±0.20
X.xxx	±0.15
UNSPECIFIED TOLERANCES	



DESIGN 阿树
 CHECKED
 APPROVED

VIEW:
 UNIT: mm/in
 SIZE: A4

MODEL TYPE: TACT SWITCH
 PART NO.: TS-1105G-X-X-B
 DWG NO.: