



Connectors > Contacts > Connector Contacts



Contact Type: **Socket**

Contact Size: **Size 23**

Wire Size: **.34 mm²**

Termination Method to Wire & Cable: **Crimp**

Features

Contact Features

Contact Type	Socket
Contact Size	Size 23
Contact Current Rating (Max)	5 A

Termination Features

Termination Method to Wire & Cable	Crimp
------------------------------------	-------

Dimensions

Wire Size	.34 mm ²
-----------	---------------------

Product Compliance

[For compliance documentation, visit the product page on TE.com>](#)

EU RoHS Directive 2011/65/EU	Compliant with Exemptions
EU ELV Directive 2000/53/EC	Compliant with Exemptions
China RoHS 2 Directive MIIT Order No 32, 2016	Restricted Materials Above Threshold
EU REACH Regulation (EC) No. 1907/2006	<p>Current ECHA Candidate List: JUNE 2024 (241)</p> <p>Candidate List Declared Against: JAN 2024 (240)</p> <p>SVHC > Threshold:</p> <p>Pb (1.2% in Contact Lead-Copper Alloy)</p> <p>Article Safe Usage Statements: Do not eat, drink or smoke when using this product. Wash thoroughly after handling. Recycle if possible and dispose of the article by following all applicable governmental regulations relevant to your geographic location.</p>

Halogen Content

Not Yet Reviewed for halogen content

Solder Process Capability

Not reviewed for solder process capability

Product Compliance Disclaimer

This information is provided based on reasonable inquiry of our suppliers and represents our current actual knowledge based on the information they provided. This information is subject to change. The part numbers that TE has identified as EU RoHS compliant have a maximum concentration of 0.1% by weight in homogenous materials for lead, hexavalent chromium, mercury, PBB, PBDE, DBP, BBP, DEHP, DIBP, and 0.01% for cadmium, or qualify for an exemption to these limits as defined in the Annexes of Directive 2011/65/EU (RoHS2). Finished electrical and electronic equipment products will be CE marked as required by Directive 2011/65/EU. Components may not be CE marked. Additionally, the part numbers that TE has identified as EU ELV compliant have a maximum concentration of 0.1% by weight in homogenous materials for lead, hexavalent chromium, and mercury, and 0.01% for cadmium, or qualify for an exemption to these limits as defined in the Annexes of Directive 2000/53/EC (ELV). Regarding the REACH Regulation, the information TE provides on SVHC in articles for this part number is based on the latest European Chemicals Agency (ECHA) 'Guidance on requirements for substances in articles' posted at this URL: <https://echa.europa.eu/guidance-documents/guidance-on-reach>

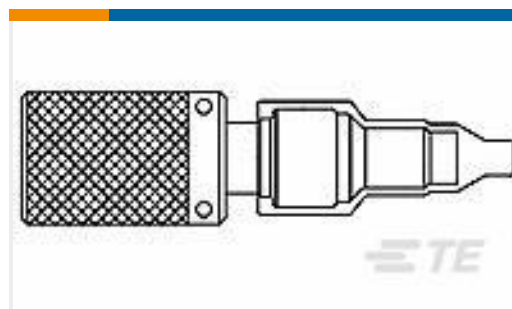
Customers Also Bought



TE Part #2169678-5
SFP+assy 2x5 Gasket 4 LP Sn



TE Part #60422-3
RING 22-20 AWG NPBR



TE Part #363549-000
DK-621-0011-P



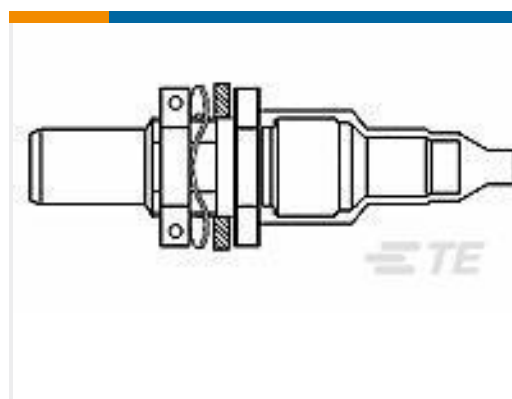
TE Part #704613-000
S02-06-R



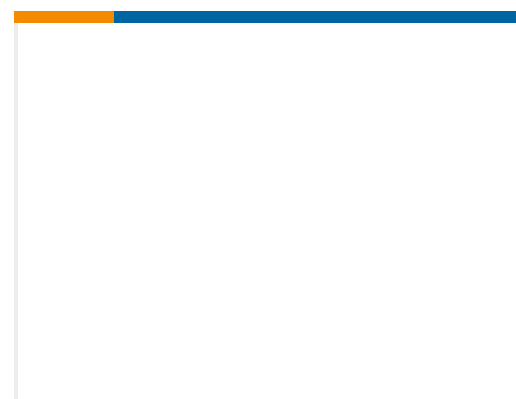
TE Part #81541-20
CONT PIN



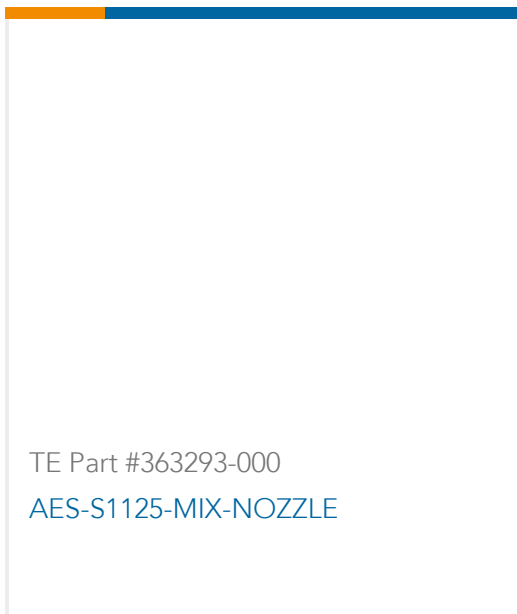
TE Part #81543-20
CONT SOC ASSY



TE Part #639215-000
DK-621-0012-S



TE Part #81515-23
TOOL INS/REM



TE Part #363293-000
AES-S1125-MIX-NOZZLE

Documents

[Product Drawings](#)
[CONT SOC ASSY](#)



English

CAD Files

3D PDF

3D

Customer View Model

[ENG_CVM_CVM_81543-23_99.2d_dxf.zip](#)

English

Customer View Model

[ENG_CVM_CVM_81543-23_99.3d_igs.zip](#)

English

Customer View Model

[ENG_CVM_CVM_81543-23_99.3d_stp.zip](#)

English

By downloading the CAD file I accept and agree to the [Terms and Conditions](#) of use.