



DBS36 Core/DBS50 Core

THE MULTI-FIT INCREMENTAL ENCODER

Incremental Encoder

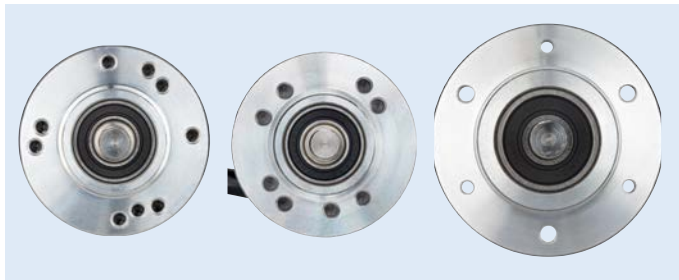
SICK
Sensor Intelligence.

DBS36 CORE/DBS50 CORE EASY MOUNTING IN ANY APPLICATION

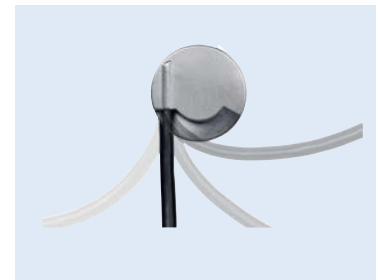
The multifit incremental encoders DBS36 Core and DBS50 Core

The new DBS36/50 incremental encoders feature impressively high quality, a compact design, and universal use for a large number of applications.

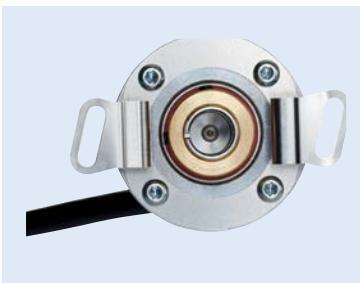
The DBS product family has high mechanical and electrical stability even in harsh environments. The extensive range of accessories for connection and mounting systems provides the right solution for any application.



Holes for almost any mounting requirement for solid shaft models



Simple and easy to fit thanks to flexible cable outlet. Perfect for confined spaces

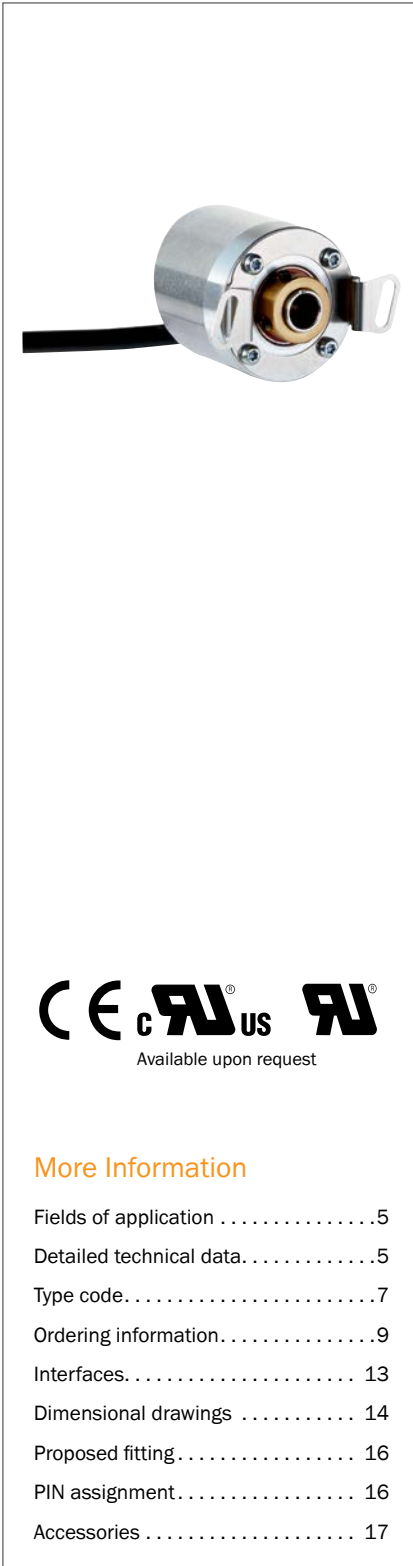


Universally applicable stator coupling for DBS36 Core with blind hollow shaft



Combined face mount and servo flange for solid shaft models

THE MULTI-FIT INCREMENTAL ENCODER



Product description

The DBS36 Core incremental encoder features impressively high mechanical flexibility, excellent technical properties, and a number of variations. A blind hollow shaft with a shaft diameter of up to 8 mm and a face mount flange with 6 mm and 1/4" solid shaft are available. The design with face mount flange offers 2 different flanges with 6 differ-

ent mounting hole patterns and a servo groove for mounting with servo clamps. The hollow shaft design has a universal stator coupling that can be used for multiple typical mounting hole circles. All models have compact dimensions and a universal cable outlet that allows for cables to run in an axial or radial direction.

At a glance

- Connection with universal cable outlet
- Designs with blind hollow shaft or face mount flange with solid shaft
- Face mount flange with 6 mounting hole patterns and servo groove
- Hollow shaft with universal stator coupling
- Compact housing diameter of 37 mm with compact construction depth,
- Electrical interfaces: TTL/RS-422, HTL/push pull and Open Collector NPN
- Number of lines: 10 to 2,500
- Temperature range: -20 °C ... +85 °C
- Enclosure rating: IP 65

Your benefits

- The universal cable outlet allows for use in tight spaces and for flexible cabling
- Face mount flange with various mounting hole patterns provides high flexibility when mounting in existing and new applications
- Face mount flange with servo groove makes mounting with servo clamps possible
- The universal stator coupling of the DBS36 Core allows for easy device replacement without adapting the application
- Shafts in metric and US design enable worldwide use.
- The high flexibility of the mechanical interface of the encoder and the available accessories allow for the use of a single design in many applications
- Long-term and reliable operation thanks to a high enclosure rating, temperature resistance and bearing lifetime

More Information

Fields of application	5
Detailed technical data.	5
Type code.	7
Ordering information.	9
Interfaces.	13
Dimensional drawings	14
Proposed fitting.	16
PIN assignment.	16
Accessories	17

→ www.mysick.com/en/DBS36_Core

For more information, simply enter the link or scan the QR code and get direct access to technical data, CAD design models, operating instructions, software, application examples, and much more.



Fields of Application

There are numerous application possibilities for positioning and speed measurement, such as in the textile industry, propulsion

technology, storage and conveyor, packaging machines, printing presses, glass industry, and elevators

Detailed technical data

Performance

Pulses per revolution	10 ... 2,500
Measurement step	90° electric / pulses per revolution
Measurement step deviation	± 18° / pulses per revolution
Error limits	± 54° / pulses per revolution
Duty cycle	≤ 0.5 ± 5%
Initialization time	< 3 ms

Mechanical data

Mechanical design	Solid shaft, face mount flange Blind hollow shaft
Shaft diameter	
Solid shaft, face mount flange	6 mm x 12 mm 1/4" x 15.5 mm
Blind hollow shaft	8 mm (shaft diameter 1/4", 6 mm, 5 mm via collet possible – (see Accessories))
Mass	150 g (with connecting cable)
Shaft material	Stainless steel
Flange material	Aluminum
Housing material	Aluminum
Material, cable	PVC
Start up torque	0.5 Ncm (+20 °C)
Operating torque	0.4 Ncm (+20 °C)
Permissible shaft movement, axial static/ dynamic	
Blind hollow shaft	± 0.5 mm, ± 0.2 mm
Permissible shaft movement, radial static/ dynamic	
Blind hollow shaft	± 0.3 mm, ± 0.1 mm
Permissible shaft load, radial/axial ¹⁾	
Solid shaft, face mount flange	40 N (radial) 20 N (axial)
Operating speed	6,000/min ²⁾ 6,000/min ³⁾
Maximum operating speed	8,000 rpm ⁴⁾
Rotor moment of inertia	
Solid shaft, face mount flange	0.6 gcm ²
Blind hollow shaft	0.8 gcm ²
Bearing lifetime	2 x 10 ⁹ revolutions
Max. angular acceleration	≤ 500,000 rad/s ²

¹⁾ Higher values possible by limiting the overall service life.

²⁾ Solid shaft: Self-warming 3.3 K per 1,000 rpm.

³⁾ Hollow shaft: Self-warming 4.7 K per 1,000 rpm.

⁴⁾ No continuous operation. Signal quality is degraded.

Electrical data

Electrical interface	4.5 V ... 5.5 V, TTL/RS422 7 V ... 30 V, TTL/RS422 7 V ... 30 V, HTL Push Pull 7 V... 27 V, HTL Push Pull, 3 channel 4.5 V ... 5.5 V, Open Collector NPN, 3 channel 4.5 V ... 30 V, Open Collector NPN, 3 channel
Connection type	Cable, 5 or 8-wire, universal, 0.5 m ²⁾ Cable, 5 or 8-wire, universal, 1.5 m ²⁾ Cable, 5 or 8-wire, universal, 3 m ²⁾ Cable, 5 or 8-wire, universal, 5 m ²⁾ Cable, 5 or 8-wire, universal, 10 m ²⁾ Cable, 8-wire with male connector M12, universal, 0.5 m Cable, 8-wire with male connector M23, universal, 0.5 m ¹⁾
Operating current without load	
4.5 V...5.5 V, TTL/RS422	≤ 50 mA
4.5 V ... 5.5 V, Open Collector NPN, 3 channel	≤ 50 mA
Max. power consumption without load	
7 V ... 30 V, TTL/RS422	< 0.5 W
7 V ... 30 V, HTL Push Pull	< 0.5 W
7 V... 27 V, HTL Push Pull, 3 channel	< 0.5 W
4.5 V ... 30 V, Open Collector NPN, 3 channel	< 0.5 W
Max. load current	
Open Collector	≤ 30 mA
TTL/HTL	≤ 30 mA
Maximum output frequency	300 kHz
Reference signal, number	1
Reference signal, position	90 degrees electric, logically gated with A and B
Reverse polarity protection	
4.5 V ... 5.5 V, TTL/RS422	–
7 V ... 30 V, TTL/RS422	✓
7 V ... 30 V, HTL Push Pull	✓
7 V... 27 V, HTL Push Pull, 3 channel	✓
4.5 V ... 5.5 V, Open Collector NPN, 3 channel	✓
4.5 V ... 30 V, Open Collector NPN, 3 channel	✓
Short-circuit protection of outputs ³⁾	
4.5 V ... 5.5 V, TTL/RS422	✓
7 V ... 30 V, TTL/RS422	✓
7 V ... 30 V, HTL Push Pull	✓
7 V... 27 V, HTL Push Pull, 3 channel	–
4.5 V ... 5.5 V, Open Collector NPN, 3 channel	✓
4.5 V ... 30 V, Open Collector NPN, 3 channel	✓
MTTFd: mean time to dangerous failure	600 years (EN ISO 13849-1) ⁴⁾

¹⁾ M23 male connector for central mounting

²⁾ Number of wires depending on electrical interface: Interface A, C, E: 8-wire; Interface G, P, R: 5-wire.

³⁾ Short-circuit protection is only guaranteed when Us and GND are connected correctly.

⁴⁾ This product is a standard product and does not constitute a safety component as defined in the Machinery Directive. Calculation based on nominal load of devices, average ambient temperature 40 °C, frequency of use 8760 h/a. All electronic failures are considered hazardous. For more information, see document no. 8015532".

Ambient data

EMC	According to EN 61000-6-2 and EN 61000-6-3 (class A)
Enclosure rating	IP 65
Permissible relative humidity	90% (condensation of optical surfaces not permitted)
Operating temperature range	
4.5 V ... 5.5 V, TTL/RS422	-20 °C ... +85 °C (-35 °C ... +95 °C upon request)
7 V ... 30 V, TTL/RS422	-20 °C ... +85 °C (-35 °C ... +95 °C upon request)
7 V ... 30 V, HTL Push Pull	-20 °C ... +85 °C (-35 °C ... +95 °C upon request)
7 V... 27 V, HTL Push Pull, 3 channel	-20 °C ...+70 °C
4.5 V ... 5.5 V, Open Collector NPN, 3 channel	-20 °C ... +85 °C (-35 °C ... +95 °C upon request)
4.5 V ... 30 V, Open Collector NPN, 3 channel	-20 °C ... +85 °C (-35 °C ... +95 °C upon request)
Storage temperature range	-40 °C ... +100 °C, without packaging
Resistance to shocks	100 g/ 6 ms (EN 60068-2-27)
Resistance to vibrations	20 g, 10 Hz ... 2,000 Hz (EN 60068-2-6)

Type code

Solid shaft

Mechanical design

- 3** Face mount flange, solid shaft, Ø 6 mm, length 12 mm
- 8** Face mount flange, solid shaft, Ø 1/4" mm, length 15.5 mm

Electrical interface

- A** 4.5 ... 5.5 V, TTL/RS-422, 6 channel
- C** 7 ... 30 V, TTL/RS-422, 6 channel
- E** 7 ... 30 V, HTL Push Pull, 6 channel
- G** 7 ... 27 V, HTL Push Pull, 3 channel
- P** 4.5 ... 5.5 V, Open Collector NPN, 3 channel
- R** 4.5 ... 30 V, Open Collector NPN, 3 channel

Connection type

- J** Cable, 5 or 8-wire, universal, 0.5 m ¹⁾
- K** Cable, 5 or 8-wire, universal, 1.5 m ¹⁾
- L** Cable, 5 or 8-wire, universal, 3 m ¹⁾
- M** Cable, 5 or 8-wire, universal, 5 m ¹⁾
- N** Cable, 5 or 8-wire, universal, 10 m ¹⁾
- P** Cable, 8-wire universal, 0.5 m, with male connector M12, 8-pin
- Q** Cable, 8-wire universal, 0.5 m, with male connector M23, 12-pin

Flange design

- 0** Face mount flange, standard hole pattern
- A** Face mount flange, hole pattern A (only with shaft S3)

Resolution

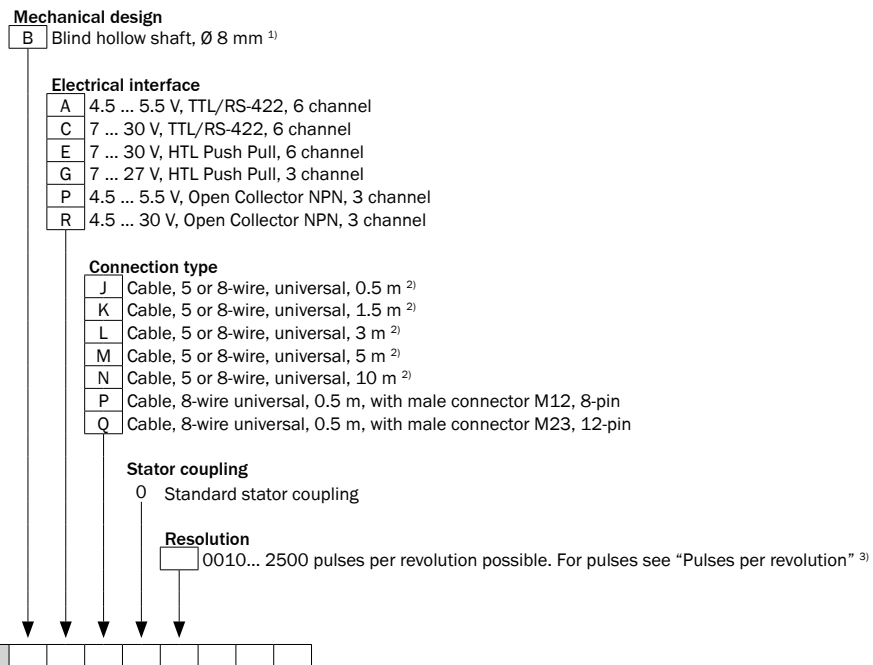
0010... 2500 pulses per revolution possible. For pulses see "Pulses per revolution" ²⁾



¹⁾ Number of wires depending on electrical interface: Interface A, C, E: 8-wire; Interface G, P, R: 5-wire.

²⁾ Other pulse on request.

Hollow shaft



¹⁾ Shaft diameter 1/4", 6 mm, 5 mm via collet possible (see Accessories).

²⁾ Number of wires depending on electrical interface: Interface A, C, E: 8-wire; Interface G, P, R: 5-wire.

³⁾ Other pulse on request.

Pulses per revolution

	E
	0010
	0020
	0050
	0100
	0120
	0125
	0200
	0250
	0256
	0300
	0360
	0400
	0500
	0512
	0600
	1,000
	1,024
	1,200
	2,000
	2,048
	2,500

Ordering information

Solid shaft, face mount flange

- **Shaft diameter:** 6 mm

Electrical interface	Voltage range	Connection type	Range of pulses per revolution	Type	Part no.
TTL/RS422	4.5 V ... 5.5 V	Cable, 8-wire universal, 0.5 m	100	DBS36E-S3AJ00100	1061237
			360	DBS36E-S3AJ00360	1061238
			400	DBS36E-S3AJ00400	1061239
			500	DBS36E-S3AJ00500	1061240
			1,024	DBS36E-S3AJ01024	1060867
		Cable, 8-wire, universal, 1.5 m	100	DBS36E-S3AK00100	1060535
			360	DBS36E-S3AK00360	1060536
			400	DBS36E-S3AK00400	1060537
			500	DBS36E-S3AK00500	1060538
			1,000	DBS36E-S3AK01000	1060539
			1,024	DBS36E-S3AK01024	1060144
			2,048	DBS36E-S3AK02048	1058602
			2,500	DBS36E-S3AK02500	1060268
			7 V ... 30 V	Cable, 8-wire universal, 0.5 m	500
	Cable, 8-wire, universal, 1.5 m	100		DBS36E-S3CK00100	1063772
		500		DBS36E-S3CK00500	1062944
		1,000		DBS36E-S3CK01000	1064515
		1,024		DBS36E-S3CK01024	1067267
		2,048		DBS36E-S3CK02048	1059906
		2,500		DBS36E-S3CK02500	1068997
HTL/push pull	7 V ... 30 V	Cable, 8-wire universal, 0.5 m	100	DBS36E-S3EJ00100	1061242
			360	DBS36E-S3EJ00360	1061243
			400	DBS36E-S3EJ00400	1061244
			500	DBS36E-S3EJ00500	1061245
			1,000	DBS36E-S3EJ01000	1061246
			1,024	DBS36E-S3EJ01024	1061247
			Cable, 8-wire, universal, 1.5 m	100	DBS36E-S3EK00100
		200		DBS36E-S3EK00200	1062679
		256		DBS36E-S3EK00256	1065241
		360		DBS36E-S3EK00360	1060541
		400		DBS36E-S3EK00400	1060542
		500		DBS36E-S3EK00500	1060543
		1,000		DBS36E-S3EK01000	1060544
		Cable, 8-wire with male connector M12, universal, 0.5 m	1,024	DBS36E-S3EK01024	1060545
	2,048		DBS36E-S3EK02048	1059907	
	2,500		DBS36E-S3EK02500	1061133	
	2,048		DBS36E-S3EP02048	1068156	

Electrical interface	Voltage range	Connection type	Range of pulses per revolution	Type	Part no.
HTL/push pull	7 V ... 27 V	Cable, 8-wire, universal, 1.5 m	100	DBS36E-S3GK00100	1077487
			360	DBS36E-S3GK00360	1077488
			500	DBS36E-S3GK00500	1077490
			600	DBS36E-S3GK00600	1077491
			1,000	DBS36E-S3GK01000	1077492
			1,024	DBS36E-S3GK01024	1077493
			2,000	DBS36E-S3GK02000	1077494
			2,048	DBS36E-S3GK02048	1077496
			2,500	DBS36E-S3GK02500	1077497
Open Collector	4,5 V ... 30 V	Cable, 8-wire, universal, 1.5 m	100	DBS36E-S3RK00100	1077498
			360	DBS36E-S3RK00360	1075928
			500	DBS36E-S3RK00500	1077499
			600	DBS36E-S3RK00600	1075930
			1,000	DBS36E-S3RK01000	1075929
			1,024	DBS36E-S3RK01024	1077500
			2,000	DBS36E-S3RK02000	1077501
			2,048	DBS36E-S3RK02048	1077502
			2,500	DBS36E-S3RK02500	1077503

Blind hollow shaft

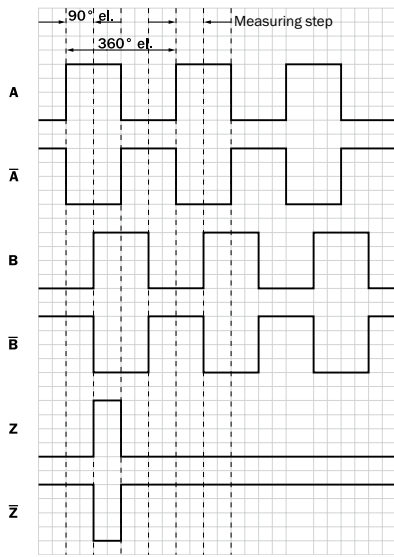
- **Shaft diameter:** 8 mm

Electrical interface	Voltage range	Connection type	Range of pulses per revolution	Type	Part no.		
TTL/RS422	4.5 V ... 5.5 V	Cable, 8-wire universal, 0.5 m	360	DBS36E-BBAJ00360	1061249		
			400	DBS36E-BBAJ00400	1061250		
			500	DBS36E-BBAJ00500	1061251		
			1,000	DBS36E-BBAJ01000	1061252		
			1,024	DBS36E-BBAJ01024	1060868		
			100	DBS36E-BBAK00100	1060524		
		Cable, 8-wire, universal, 1.5 m	360	DBS36E-BBAK00360	1060525		
			400	DBS36E-BBAK00400	1060526		
			500	DBS36E-BBAK00500	1060527		
			1,000	DBS36E-BBAK01000	1060528		
			1,024	DBS36E-BBAK01024	1060147		
			2,048	DBS36E-BBAK02048	1058603		
	7 V ... 30 V	Cable, 8-wire, universal, 1.5 m	2,500	DBS36E-BBAK02500	1061235		
			100	DBS36E-BBCK00100	1060148		
		Cable, 8-wire with male connector M12, universal, 0.5 m	1,000	DBS36E-BBCK01000	1065589		
			2,048	DBS36E-BBCK02048	1062240		
			100	DBS36E-BBEJ00100	1061253		
			360	DBS36E-BBEJ00360	1061254		
HTL/push pull	7 V ... 30 V	Cable, 8-wire universal, 0.5 m	400	DBS36E-BBEJ00400	1061255		
			500	DBS36E-BBEJ00500	1061256		
			1,000	DBS36E-BBEJ01000	1061257		
			1,024	DBS36E-BBEJ01024	1061258		
			2,000	DBS36E-BBEJ02000	1068715		
			2,500	DBS36E-BBEJ02500	1062490		
			Cable, 8-wire, universal, 1.5 m	100	DBS36E-BBEK00100	1060529	
				200	DBS36E-BBEK00200	1064320	
				360	DBS36E-BBEK00360	1060530	
		400		DBS36E-BBEK00400	1060531		
		500		DBS36E-BBEK00500	1060532		
		1,000		DBS36E-BBEK01000	1060533		
		1,024		DBS36E-BBEK01024	1060534		
		2,048		DBS36E-BBEK02048	1059910		
		Cable, 8-wire with male connector M12, universal, 0.5 m		100	DBS36E-BBEP00100	1065770	
			200	DBS36E-BBEP00200	1068935		
			7 V ... 27 V	Cable, 8-wire universal, 0.5 m	100	DBS36E-BBGJ00100	1077475
					500	DBS36E-BBGJ00500	1077476
	600				DBS36E-BBGJ00600	1077481	
	1,000				DBS36E-BBGJ01000	1077482	
	1,024	DBS36E-BBGJ01024			1077388		
	2,000	DBS36E-BBGJ02000			1077483		
	2,048	DBS36E-BBGJ02048			1077480		
	2,500	DBS36E-BBGJ02500			1077477		

Electrical interface	Voltage range	Connection type	Range of pulses per revolution	Type	Part no.	
HTL/push pull	7 V ... 27 V	Cable, 8-wire, universal, 1.5 m	100	DBS36E-BBGK00100	1077478	
			360	DBS36E-BBGK00360	1077504	
			500	DBS36E-BBGK00500	1077479	
			600	DBS36E-BBGK00600	1077505	
			1,000	DBS36E-BBGK01000	1077507	
			1,024	DBS36E-BBGK01024	1077509	
			2,000	DBS36E-BBGK02000	1077510	
			2,048	DBS36E-BBGK02048	1077511	
			2,500	DBS36E-BBGK02500	1077512	
Open Collector	4.5 V ... 5.5 V	Cable, 8-wire, universal, 1.5 m	200	DBS36E-BBPK00200	1065144	
			500	DBS36E-BBPK00500	1064120	
			1,000	DBS36E-BBPK01000	1067836	
			2,048	DBS36E-BBPK02048	1059911	
			2,500	DBS36E-BBPK02500	1065791	
			Cable, 8-wire with male connector M12, universal, 0.5 m	360	DBS36E-BBAP00360	1067379
				500	DBS36E-BBAP00500	1068192
				1,000	DBS36E-BBAP01000	1066259
				1,024	DBS36E-BBAP01024	1062784
				2,500	DBS36E-BBAP02500	1062785
	4,5 V ... 30 V	Cable, 8-wire, universal, 1.5 m	100	DBS36E-BBRK00100	1077513	
			360	DBS36E-BBRK00360	1077514	
			500	DBS36E-BBRK00500	1077515	
			600	DBS36E-BBRK00600	1077516	
			1,000	DBS36E-BBRK01000	1075931	
			1,024	DBS36E-BBRK01024	1075932	
			2,000	DBS36E-BBRK02000	1077517	
			2,048	DBS36E-BBRK02048	1077518	
			2,500	DBS36E-BBRK02500	1077519	

Interfaces

Signal outputs for electrical interfaces TTL and HTL



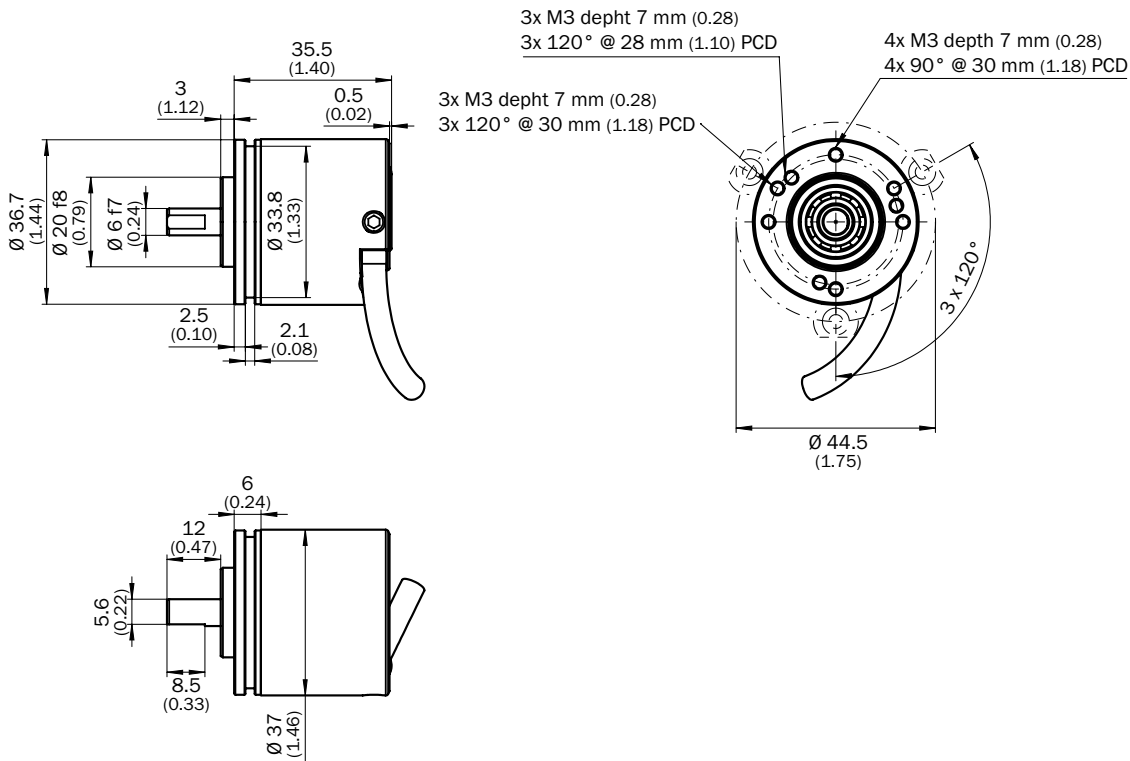
CW with view on the encoder shaft in direction “A”, compare dimensional drawing.

Interfaces G, P, R only for channels A, B, Z.

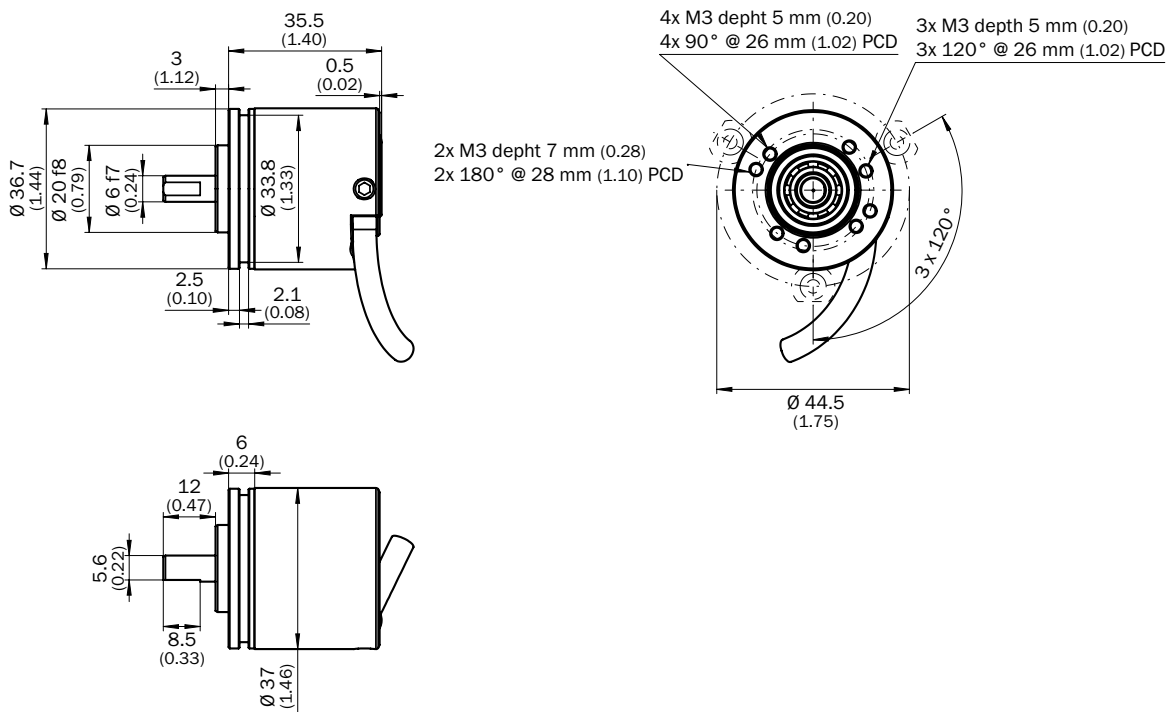
Supply voltage	Output
4.5 V ... 5.5 V	TTL/RS422
7 V ... 30 V	TTL/RS422
7 V ... 30 V	HTL Push Pull
7 V ... 27 V	HTL Push Pull, 3 channel
4.5 V ... 5.5 V	Open Collector NPN, 3 channel
4.5 V ... 30 V	Open Collector NPN, 3 channel

Dimensional drawings (dimensions in mm)

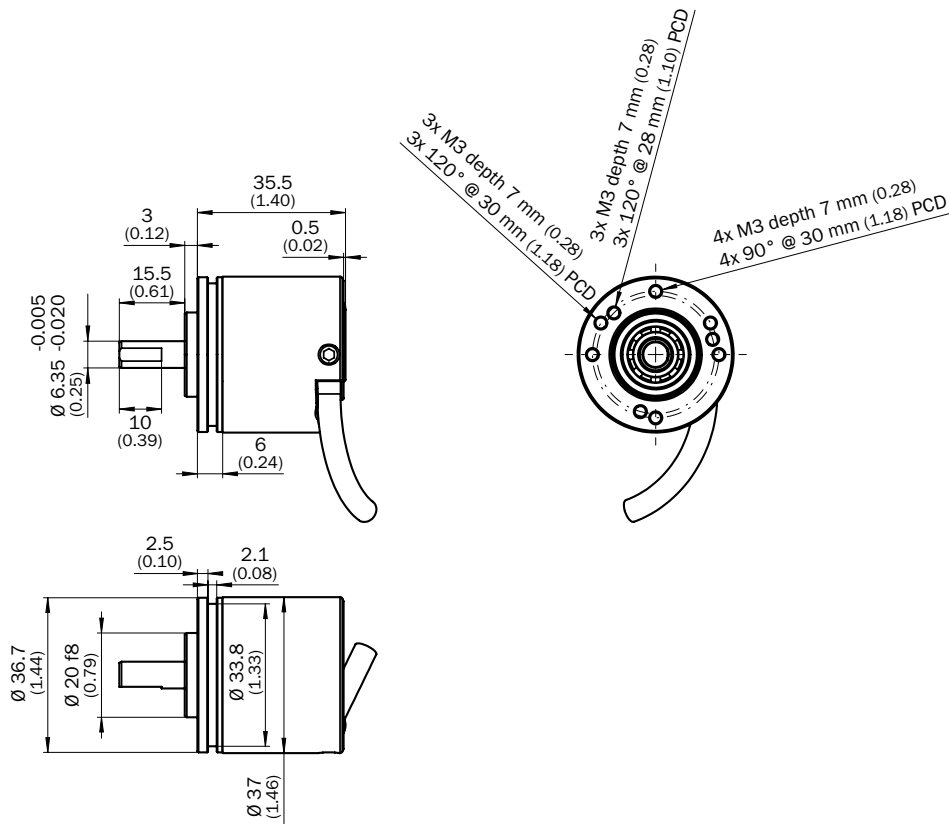
Solid shaft, face mount flange, shaft 6 mm x 12 mm, standard hole pattern



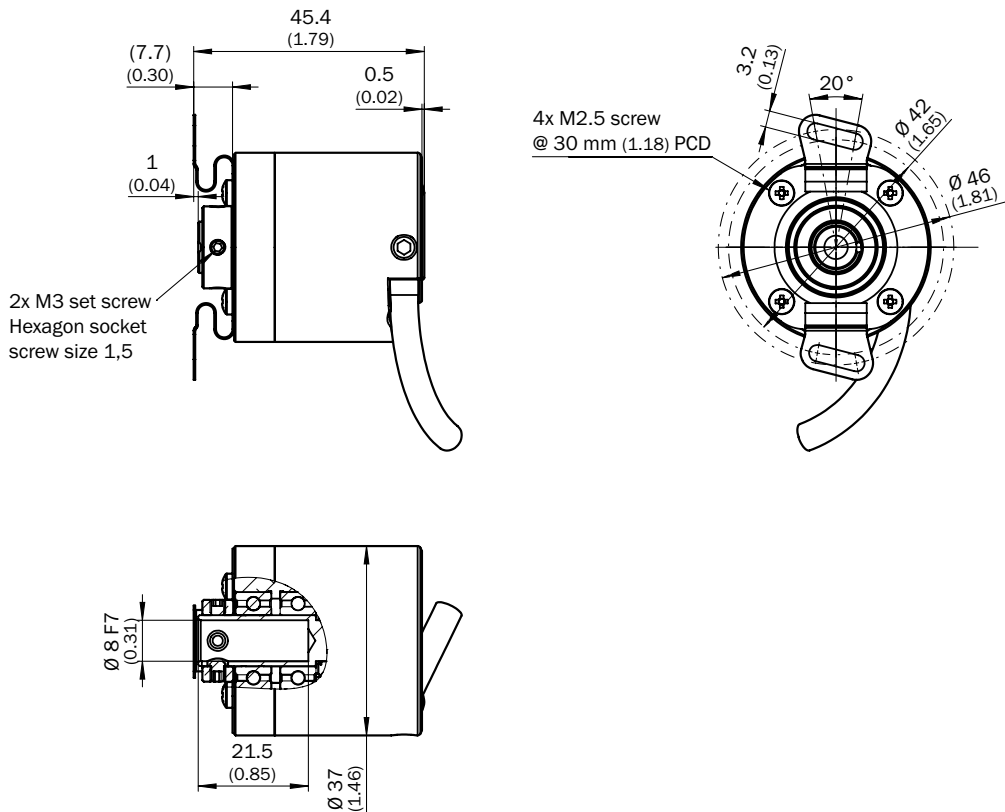
Solid shaft, face mount flange, shaft 6 mm x 12 mm, Type A flange design hole pattern



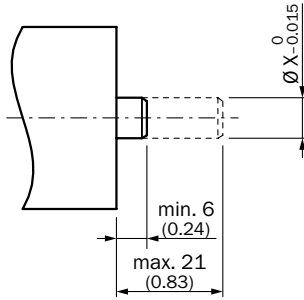
Solid shaft, face mount flange, shaft 1/4" x 15.5 mm, standard hole pattern



Blind hollow shaft, cable outlet



Proposed fitting

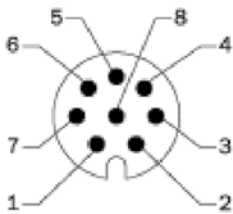


Diameter X	Encoder	Collet
5 mm	DBS36E-BB	2066991
6 mm		2056390
1/4"		upon request
8 mm		not required

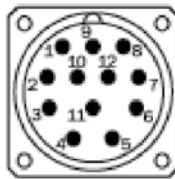
PIN assignment

8-core cable

View of M12 device connector on cable



View of M23 device connector on cable




Wire color	Pin 8-pole for M12	Pin 12-pole for M23	Signal HTL/ OC 3-channel	Signal TTL/ HTL 6-channel	Explanation
brown	1	6	Not connected	A-	Signal wire
white	2	5	A	A	Signal wire
black	3	1	Not connected	B-	Signal wire
pink	4	8	B	B	Signal wire
Yellow	5	4	Not connected	Z-	Signal wire
purple	6	3	Z	Z	Signal wire
blue	7	10	GND	GND	Ground connection of the encoder
Red	8	12	+Us	+Us	Supply voltage
-	-	9	Not connected	Not connected	Not connected
-	-	2	Not connected	Not connected	Not connected
-	-	11	Not connected	Not connected	Not connected
-	-	7	Not connected	Not connected	Not connected
Shield	Shield	Shield	Shield	Shield	Shield (connected with housing on the encoder side)

Accessories

Mounting systems


Mounting brackets and plates

Mounting bracket

Figure	Brief description	Type	Part no.
	Mounting bracket for encoder with centering hub 20 mm including mounting kit for face mount flange	BEF-WF-20	2066393


Flanges

Flange plate


Figure	Brief description	Type	Part no.
	Flange adapter, adaption of standard face mount flange type O with centering hub 20 mm to 33 mm servo flange, aluminum, does not fit to face mount flange type A	BEF-FA-020-033	2066312

Other mounting accessories


Measuring wheels and measuring wheel systems

Figure	Brief description	Type	Part no.
	Measuring wheel with O-ring (NBR70) for 6 mm solid shaft, circumference 200 mm	BEF-MR006020R	2055222
	Measuring wheel with O-ring (NBR70) for 6 mm solid shaft, circumference 300 mm	BEF-MR006030R	2055634
	O-ring for measuring wheels (circumference 200 mm)	BEF-OR-053-040	2064061
	O-ring for measuring wheels (circumference 300 mm)	BEF-OR-083-050	2064076
	O-ring for measuring wheels (circumference 500 mm)	BEF-OR-145-050	2064074

Servo clamps


Figure	Brief description	Type	Part no.
	Servo clamps, small, for servo flange (clamps, eccentric fastener), 3 pcs., without mounting material	BEF-WK-RESOL	2039082

Miscellaneous





Figure	Brief description	Type	Part no.
	Two-sided stator coupling, screw hole diameter 42 - 46 mm, slot width 3.2 mm	BEF-DS-DBS36	2066301

Shaft adaptation

Collets and clamping rings

Figure	Brief description	Type	Part no.
	Collet for blind hollow shaft, shaft diameter 5 mm, external diameter 8 mm	SPZ-005-AD-A	2066991
	Collet for blind hollow shaft, shaft diameter 6 mm, external diameter 8 mm	SPZ-006-DD36-A	2056390




Shaft couplings

Figure	Brief description	Type	Part no.
	Bellows coupling, shaft diameter 6 mm / 6 mm, maximum shaft offset: radial ± 0.25 mm, axial ± 0.4 mm, angular $\pm 4^\circ$; max. speed 10,000 rpm, -30°C to $+120^\circ\text{C}$, max. torque 80 Ncm; material: stainless steel bellows, aluminum hub	KUP-0606-B	5312981
	Bellows coupling, shaft diameter 6 mm / 10 mm, maximum shaft offset: radial ± 0.25 mm, axial ± 0.4 mm, angular $\pm 4^\circ$; max. speed 10,000 rpm, -30°C to $+120^\circ\text{C}$, max. torque 80 Ncm; material: stainless steel bellows, aluminum hub	KUP-0610-B	5312982
	Cross-slotted coupling, shaft diameter 6 mm / 6 mm, maximum shaft offset: radial ± 0.3 mm, axial ± 0.2 mm, angle $\pm 3^\circ$; max. speed 10,000 rpm, -10° to $+80^\circ\text{C}$, max. torque 80 Ncm; material: fiber-glass reinforced polyamide, aluminum hub	KUP-0606-S	2056406
	Cross-slotted coupling, shaft diameter 6 mm / 8 mm, maximum shaft offset radial ± 0.3 mm, axial ± 0.2 mm, angle $\pm 3^\circ$, max. speed 10,000 rpm, torsion spring rigidity 38 Nm/wheel; material: fiber-glass reinforced polyamide, aluminum hub	KUP-0608-S	5314179
	Double-loop coupling, shaft diameter 6 mm/10 mm, maximum shaft offset: radial ± 2.5 mm, axial ± 3 mm, angular $\pm 10^\circ$; max. speed 3,000 rpm, -30°C to $+80^\circ\text{C}$, max. torque 1.5 Nm; material: polyurethane, galvanized steel flange	KUP-0610-D	5326697
	Spring washer coupling, shaft diameter 6 mm/10 mm, maximum shaft offset: radial ± 0.3 mm, axial ± 0.4 mm, angular $\pm 2.5^\circ$; max. speed 12,000 rpm, -10°C to $+80^\circ\text{C}$, max. torque 60 Ncm; material: aluminum flange, fiber-glass reinforced polyamide membrane and tempered steel coupling pin	KUP-0610-F	5312985





Connectivity

Plug connectors and cables





Connecting cables with female connector

Figure	Brief description	Length of cable	Type	Part no.
	Head A: female connector, M12, 8-pin, straight Head B: cable Cable: suitable for drag chain, PVC, shielded, 4 x 2 x 0.25 mm ² , \varnothing 7.0 mm	2 m	DOL-1208-G02MAC1	6032866
		5 m	DOL-1208-G05MAC1	6032867
		10 m	DOL-1208-G10MAC1	6032868
		20 m	DOL-1208-G20MAC1	6032869
	Head A: female connector, M23, 12-pin, straight Head B: cable Cable: incremental, PUR, shielded, 4 x 2 x 0.25 mm ² + 2 x 0.5 mm ² + 1 x 0.14 mm ² , \varnothing 7.8 mm	2 m	DOL-2312-G02MLA3	2030682
		7 m	DOL-2312-G07MLA3	2030685
		10 m	DOL-2312-G10MLA3	2030688
		15 m	DOL-2312-G15MLA3	2030692
		20 m	DOL-2312-G20MLA3	2030695
		25 m	DOL-2312-G25MLA3	2030699
	Head A: female connector, M23, 12-pin, straight Head B: cable Cable: incremental, suitable for drag chain, PUR, shielded, 4 x 2 x 0.25 mm ² + 2 x 0.5 mm ² + 1 x 0.14 mm ² , \varnothing 7.8 mm	30 m	DOL-2312-G30MLA3	2030702
		1.5 m	DOL-2312-G1M5MA3	2029212
		3 m	DOL-2312-G03MMA3	2029213
		5 m	DOL-2312-G05MMA3	2029214
		10 m	DOL-2312-G10MMA3	2029215
		20 m	DOL-2312-G20MMA3	2029216
	30 m	DOL-2312-G30MMA3	2029217	



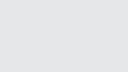
Female connectors (ready to assemble)

Figure	Brief description	Type	Part no.
	Head A: female connector, M12, 8-pin, straight, A encoded, shielded, for cable diameter 4 mm ... 8 mm Head B: - Operating temperature: -40 °C ... +85 °C	DOS-1208-GA01	6045001
	Head A: female connector, M23, 12-pin, straight, shielded, for cable diameter 5.5 mm ... 10.5 mm Head B: - Operating temperature: -20 °C ... +130 °C	DOS-2312-G	6027538
	Head A: female connector, M23, 12-pin, angled, shielded, for cable diameter 4.2 mm ... 6.6 mm Head B: - Operating temperature: -20 °C ... +130 °C	DOS-2312-W01	2072580
	Head A: female connector, M23, 12-pin, straight, shielded, for cable diameter 5.5 mm ... 10.5 mm Head B: - Operating temperature: -40 °C ... +125 °C	DOS-2312-G02	2077057

Cables (ready to assemble)

Figure	Brief description	Length of cable	Type	Part no.
	Head A: cable Head B: cable Cable: suitable for drag chain, PUR, halogen-free, shielded, 4 x 2 x 0.15 mm ² , Ø 5.6 mm	By the meter	LTG-2308-MWENC	6027529
	Head A: cable Head B: cable Cable: PUR, shielded, 4 x 2 x 0.25 mm ² + 2 x 0.5 mm ² + 1 x 0.14 mm ² , Ø 7.5 mm		LTG-2411-MW	6027530
	Head A: cable Head B: cable Cable: suitable for drag chain, PUR, halogen-free, shielded, 4 x 2 x 0.25 mm ² + 2 x 0.5 mm ² + 2 x 0.14 mm ² , Ø 7.8 mm		LTG-2512-MW	6027531
	Head A: cable Head B: cable Cable: suitable for drag chain, PUR, halogen-free, shielded, UV and saltwater resistant, 4 x 2 x 0.25 mm ² + 2 x 0.5 mm ² + 2 x 0.14 mm ² , Ø 7.8 mm		LTG-2612-MW	6028516

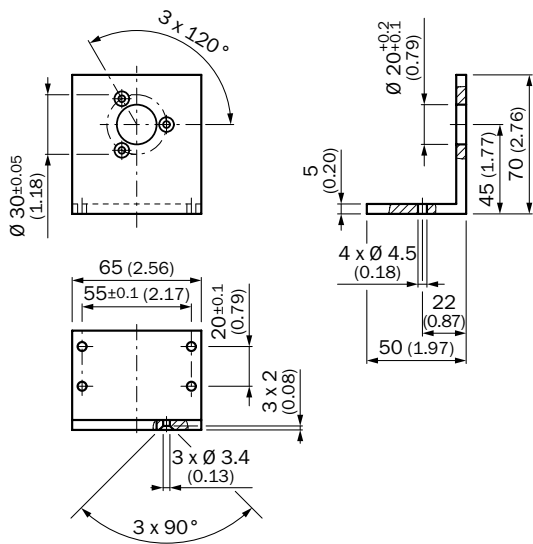
Male connector (ready to assemble)

Figure	Brief description	Type	Part no.
	Head A: male connector, M12, 8-pin, straight, A encoded, shielded, for cable diameter 4 mm ... 8 mm Head B: - Operating temperature: -40 °C ... +85 °C	STE-1208-GA01	6044892
	Head A: male connector, M23, 12-pin, straight, shielded, for cable diameter 5.5 mm ... 10.5 mm Head B: - Operating temperature: -20 °C ... +130 °C	STE-2312-G	6027537
	Head A: male connector, M23, 12-pin, straight, for cable diameter 5.5 mm ... 10.5 mm Head B: - Operating temperature: -40 °C ... +125 °C	STE-2312-G01	2077273

Dimensional drawings for accessories (dimensions in mm)

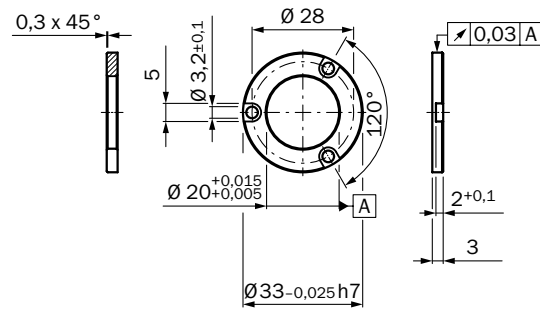
Mounting brackets and plates

BEF-WF-20



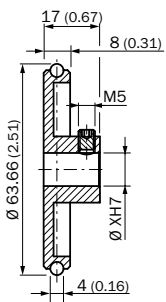
Flanges

BEF-FA-020-033

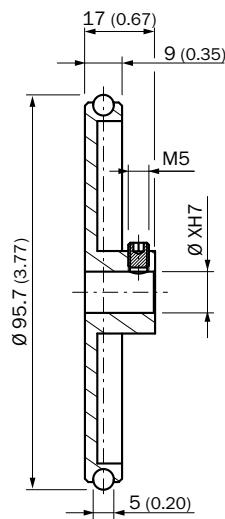


Other mounting accessories

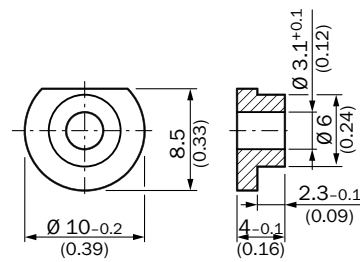
BEF-MR006020R



BEF-MR006030R

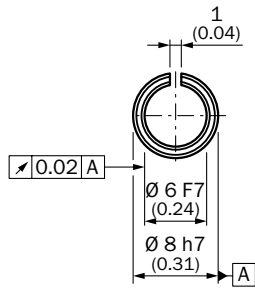


BEF-WK-RESOL

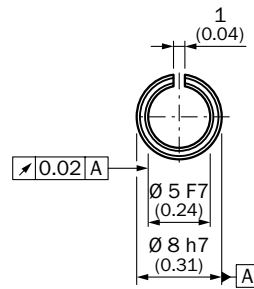


Shaft adaptation

SPZ-006-DD36-A

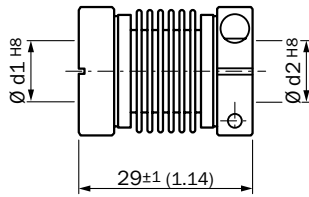
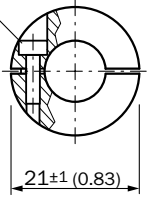


SPZ-005-AD-A

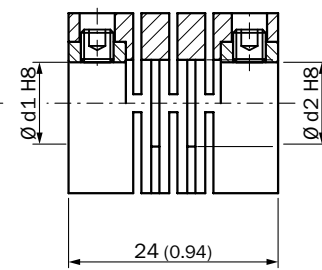
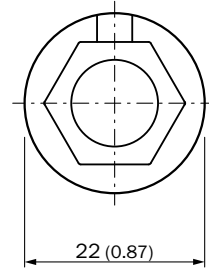


KUP-0606-B
KUP-0610-B

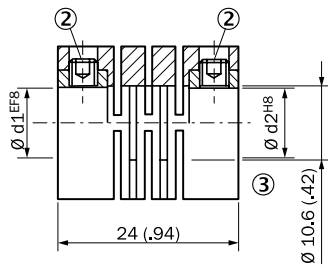
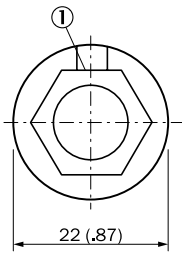
Cheese-head screw
M2.5 x 8, DIN 912 A2



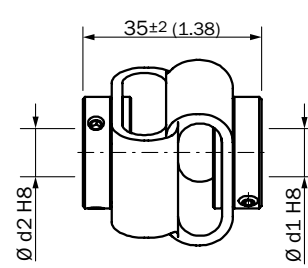
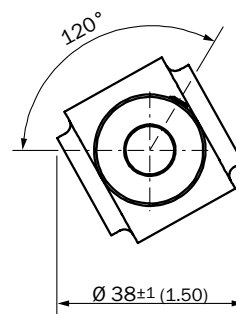
KUP-0606-S
KUP-0610-MS



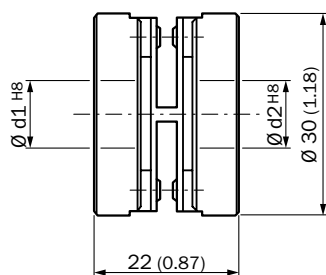
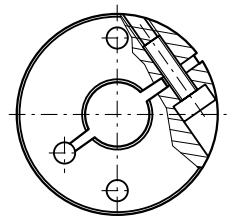
KUP-0608-S



KUP-0610-D

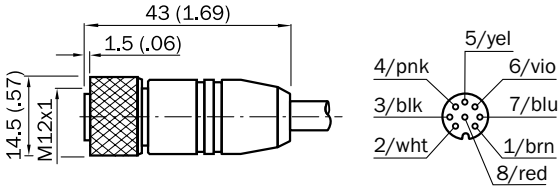


KUP-0610-F



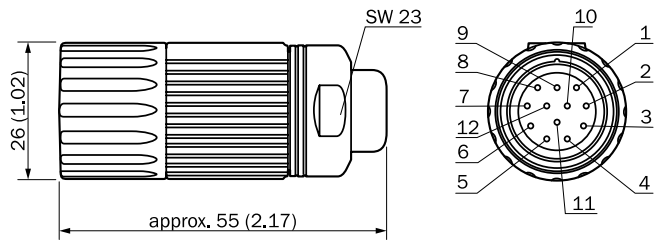
Plug connectors and cables

- DOL-1208-G02MAC1
- DOL-1208-G05MAC1
- DOL-1208-G10MAC1
- DOL-1208-G20MAC1



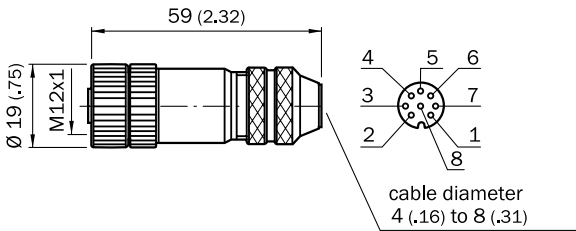
All dimensions in mm (inch)

- DOL-2312-G02MLA3
- DOL-2312-G03MMA3
- DOL-2312-G07MLA3
- DOL-2312-G10MLA3
- DOL-2312-G15MLA3
- DOL-2312-G20MLA3
- DOL-2312-G25MLA3
- DOL-2312-G30MLA3
- DOL-2312-G05MMA3
- DOL-2312-G10MMA3
- DOL-2312-G20MMA3
- DOL-2312-G30MMA3
- DOL-2312-G1M5MA3

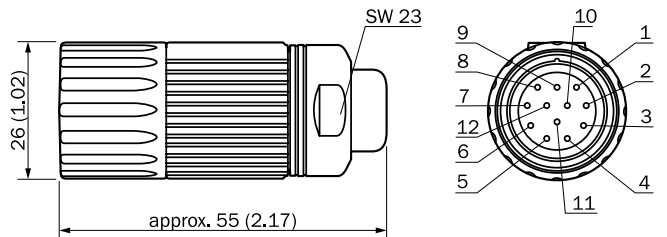


- ① Black
- ② Gray
- ③ Purple
- ④ Yellow
- ⑤ White
- ⑥ Brown
- ⑧ Pink
- ⑨ Shield
- ⑩ Blue
- ⑪ Green
- ⑫ Red

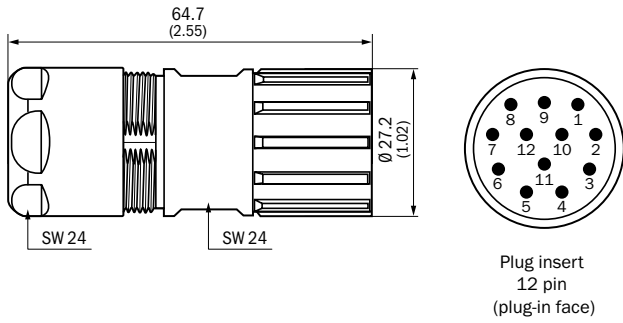
DOS-1208-GA01



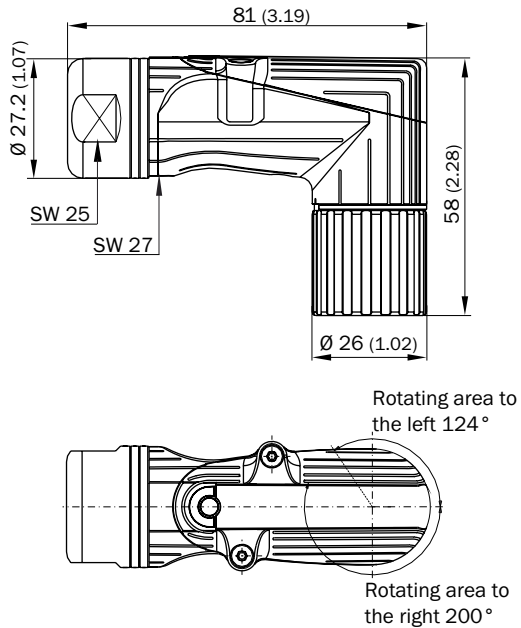
DOS-2312-G



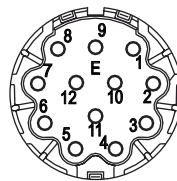
DOS-2312-G02



DOS-2312-W01

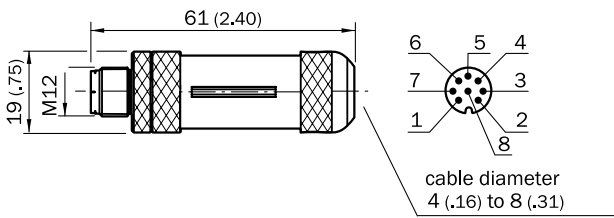


Main dimensions
Plug

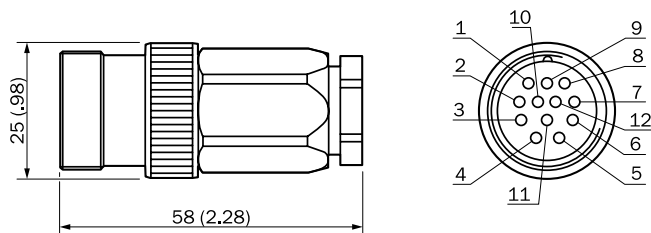


Contact arrangement
Mating view

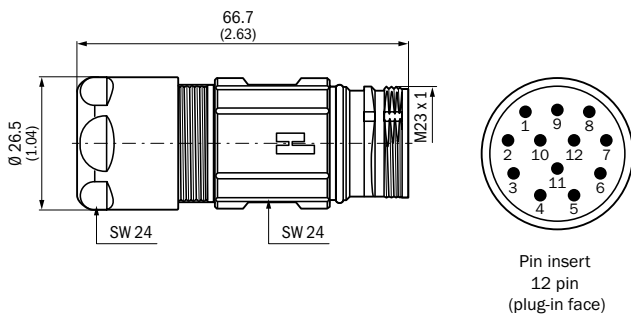
STE-1208-GA01



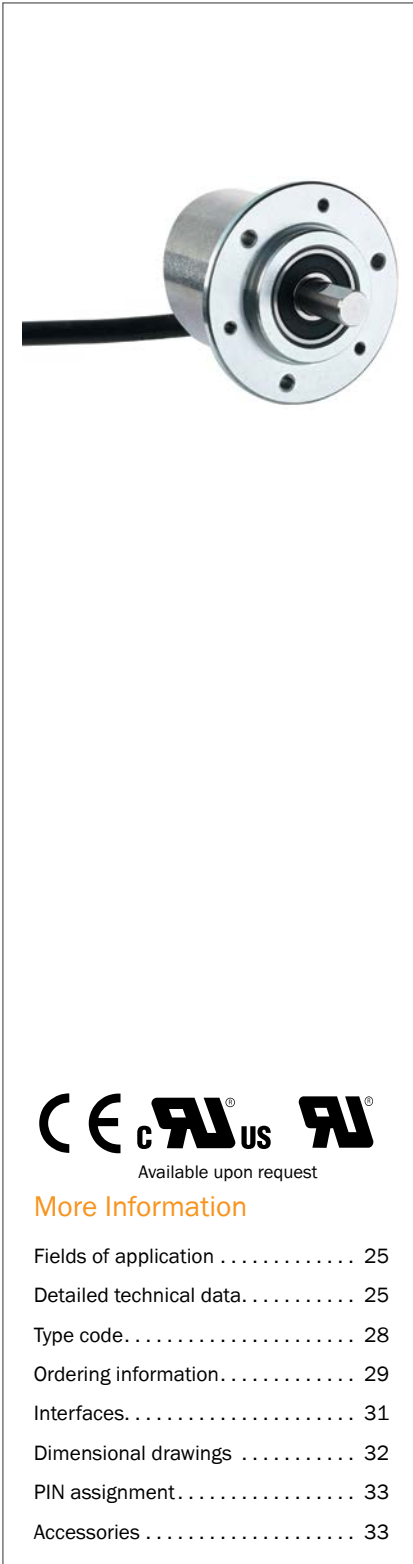
STE-2312-G



STE-2312-G01



THE MULTI-FIT INCREMENTAL ENCODER



Product description

The DBS50 Core incremental encoder features impressively high mechanical flexibility, excellent technical properties, and a number of variations. The DBS50E has a face mount flange with 50 mm diameter and a solid shaft with 8 mm diameter. The housing diameter is extremely compact at 37 mm and thus saves valuable space. The face mount

flange offers 2 different mounting hole patterns and a servo groove for mounting with servo clamps. The encoder has compact dimensions and a universal cable outlet that allows for cables to run in an axial or radial direction. The DBS50 Core incremental encoder is fully compatible with the DDS50E incremental encoder.

At a glance

- Connection with universal cable outlet
- Face mount flange with 8 mm solid shaft
- Face mount flange with 2 mounting hole patterns and servo groove
- Compact housing diameter of 37 mm with compact construction depth, flange diameter 50 mm
- Various electrical interfaces: TTL/RS-422, HTL/push pull and Open Collector NPN
- Number of lines from 10 to 2,500 possible
- Temperature range: -20 °C ... +85 °C
- Enclosure rating: IP 65

Your benefits

- The universal cable outlet allows for use in tight spaces and for flexible cabling
- Face mount flange with various mounting hole patterns for easy device replacement without adapting the application
- Face mount flange with servo groove makes mounting with servo clamps possible
- The high flexibility of the mechanical interface of the encoder and the available accessories allow for the use of a single design in many applications
- The compact housing diameter saves valuable space
- Long-term and reliable operation thanks to a high enclosure rating, temperature resistance and bearing lifetime



More Information

Fields of application	25
Detailed technical data	25
Type code	28
Ordering information	29
Interfaces	31
Dimensional drawings	32
PIN assignment	33
Accessories	33

→ www.mysick.com/en/DBS50_Core

For more information, simply enter the link or scan the QR code and get direct access to technical data, CAD design models, operating instructions, software, application examples, and much more.



Fields of Application

There are numerous application possibilities for positioning and speed measurement, such as in the textile industry, propulsion

technology, storage and conveyor, packaging machines, printing presses, glass industry, and elevators

Detailed technical data

Performance

Pulses per revolution	10 ... 2,500
Measurement step	90° / electric/pulses per revolution
Measurement step deviation	± 18°/pulses per revolution
Error limits	± 54°/pulses per revolution
Duty cycle	≤ 0.5 ± 5%
Initialization time	< 3 ms

Mechanical data

Mechanical design	Solid shaft, face mount flange
Shaft diameter	8 mm x 15.5 m
Mass	170 g (with connecting cable 1.5 m)
Shaft material	Stainless steel
Flange material	Aluminum
Housing material	Aluminum
Material, cable	PVC
Start up torque	0.9 Ncm (+20 °C)
Operating torque	0.6 Ncm (+20 °C)
Permissible shaft load, radial/axial	30 N (axial) 50 N (radial)
Operating speed	6,000 / min ¹⁾
Maximum operating speed	8,000 rpm ²⁾
Rotor moment of inertia	0.65 gcm ²
Bearing lifetime	2 x 10 ⁹ revolutions
Max. angular acceleration	≤ 500,000 rad/s ²

¹⁾ Take into account self-heating of 3.3 K per 1,000 revolutions/min when designing the operating temperature range.

²⁾ No continuous operation. Signal quality is degraded.

Electrical data

Electrical interface	4.5 V ... 5.5 V, TTL/RS422 7 V ... 30 V, TTL/RS422 7 V ... 30 V, HTL Push Pull 7 V... 27 V, HTL Push Pull, 3 channel 4.5 V ... 5.5 V, Open Collector NPN, 3 channel 4.5 V ... 30 V, Open Collector NPN, 3 channel
Connection type	Cable, 5 or 8-wire, universal, 0.5 m ²⁾ Cable, 5 or 8-wire, universal, 1.5 m ²⁾ Cable, 5 or 8-wire, universal, 3 m ²⁾ Cable, 5 or 8-wire, universal, 5 m ²⁾ Cable, 5 or 8-wire, universal, 10 m ²⁾ Cable, 8-wire with male connector M12, universal, 0.5 m Cable, 8-wire with male connector M23, universal, 0.5 m ¹⁾
Operating current without load	
4.5 V...5.5 V, TTL/RS422	≤ 50 mA
4.5 V ... 5.5 V, Open Collector NPN, 3 channel	≤ 50 mA
Max. power consumption without load	
7 V ... 30 V, TTL/RS422	< 0.5 W
7 V ... 30 V, HTL Push Pull	< 0.5 W
7 V... 27 V, HTL Push Pull, 3 channel	< 0.5 W
4.5 V ... 30 V, Open Collector NPN, 3 channel	< 0.5 W
Max. load current	
Open Collector	≤ 30 mA
TTL/HTL	≤ 30 mA
Maximum output frequency	300 kHz
Reference signal, number	1
Reference signal, position	90 degrees electric, logically gated with A and B
Reverse polarity protection	
4.5 V ... 5.5 V, TTL/RS422	–
7 V ... 30 V, TTL/RS422	✓
7 V ... 30 V, HTL Push Pull	✓
7 V... 27 V, HTL Push Pull, 3 channel	✓
4.5 V ... 5.5 V, Open Collector NPN, 3 channel	✓
4.5 V ... 30 V, Open Collector NPN, 3 channel	✓
Short-circuit protection of outputs ³⁾	
4.5 V ... 5.5 V, TTL/RS422	✓
7 V ... 30 V, TTL/RS422	✓
7 V ... 30 V, HTL Push Pull	✓
7 V... 27 V, HTL Push Pull, 3 channel	✓
4.5 V ... 5.5 V, Open Collector NPN, 3 channel	✓
4.5 V ... 30 V, Open Collector NPN, 3 channel	✓
MTTFd: mean time to dangerous failure	600 years (EN ISO 13849-1) ⁴⁾

¹⁾ M23 male connector for central mounting.

²⁾ Number of wires depending on electrical interface: Interface A, C, E: 8-wire; Interface G, P, R: 5-wire.

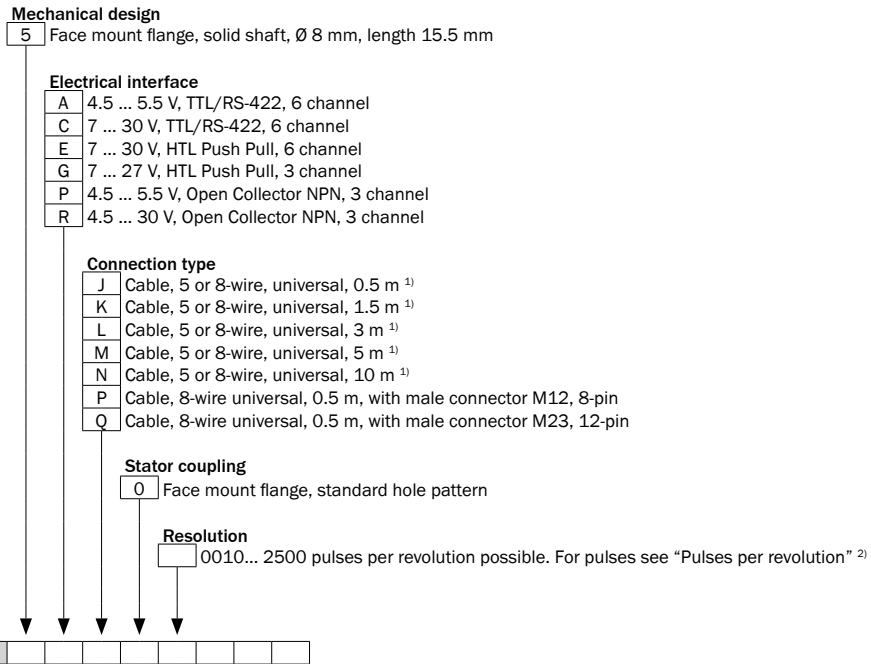
³⁾ Short-circuit protection is only guaranteed when Us and GND are connected correctly.

⁴⁾ This product is a standard product and does not constitute a safety component as defined in the Machinery Directive. Calculation based on nominal load of devices, average ambient temperature 40 °C, frequency of use 8760 h/a. All electronic failures are considered hazardous. For more information, see document no. 8015532".

Ambient data

EMC	According to EN 61000-6-2 and EN 61000-6-3 (class A)
Enclosure rating	IP 65
Permissible relative humidity	90% (condensation of optical surfaces not permitted)
Operating temperature range	
4.5 V ... 5.5 V, TTL/RS422	-20 °C ... +85 °C (-35 °C ... +95 °C upon request)
7 V ... 30 V, TTL/RS422	-20 °C ... +85 °C (-35 °C ... +95 °C upon request)
7 V ... 30 V, HTL Push Pull	-20 °C ... +85 °C (-35 °C ... +95 °C upon request)
7 V... 27 V, HTL Push Pull, 3 channel	-20 °C ...+70 °C
4.5 V ... 5.5 V, Open Collector NPN, 3 channel	-20 °C ... +85 °C (-35 °C ... +95 °C upon request)
4.5 V ... 30 V, Open Collector NPN, 3 channel	-20 °C ... +85 °C (-35 °C ... +95 °C upon request)
Storage temperature range	-40 °C ... +100 °C, without packaging
Resistance to shocks	100 g/ 6 ms (EN 60068-2-27)
Resistance to vibrations	20 g, 10 Hz ... 2,000 Hz (EN 60068-2-6)

Type code



¹⁾ Number of wires depending on electrical interface: Interface A, C, E: 8-wire; Interface G, P, R: 5-wire.

²⁾ Other pulse on request.

Pulses per revolution

	E
	0010
	0020
	0050
	0100
	0120
	0125
	0200
	0250
	0256
	0300
	0360
	0400
	0500
	0512
	0600
	1,000
	1,024
	1,200
	2,000
	2,048
	2,500

Ordering information

Solid shaft, face mount flange

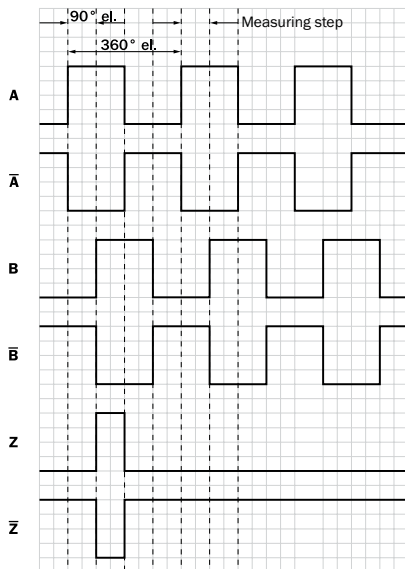
- **Shaft diameter:** 8 mm

Electrical interface	Voltage range	Connection type	Range of pulses per revolution	Type	Part no.
TTL/RS422	4.5 V ... 5.5 V	Cable, 8-wire universal, 0.5 m	100	DBS50E-S5AJ00100	1061259
			360	DBS50E-S5AJ00360	1061260
			400	DBS50E-S5AJ00400	1061261
			500	DBS50E-S5AJ00500	1061262
			1,000	DBS50E-S5AJ01000	1061263
			1,024	DBS50E-S5AJ01024	1060870
			2,048	DBS50E-S5AJ02048	1061085
			2,500	DBS50E-S5AJ02500	1061086
		Cable, 8-wire, universal, 1.5 m	100	DBS50E-S5AK00100	1060685
			360	DBS50E-S5AK00360	1060686
			400	DBS50E-S5AK00400	1060687
			500	DBS50E-S5AK00500	1060688
			1,000	DBS50E-S5AK01000	1060145
			1,024	DBS50E-S5AK01024	1060689
	2,048		DBS50E-S5AK02048	1057446	
	Cable, 8-wire with male connector M12, universal, 0.5 m	500	DBS50E-S5AP00500	1066755	
		2,000	DBS50E-S5AP02000	1064388	
	7 V ... 30 V	Cable, 8-wire, universal, 1.5 m	1,000	DBS50E-S5CK01000	1066828
			2,048	DBS50E-S5CK02048	1059902
			2,500	DBS50E-S5CK02500	1061172
	HTL/push pull	7 V ... 30 V	Cable, 8-wire universal, 0.5 m	100	DBS50E-S5EJ00100
360				DBS50E-S5EJ00360	1061265
400				DBS50E-S5EJ00400	1061266
500				DBS50E-S5EJ00500	1061267
1,000				DBS50E-S5EJ01000	1061268
1,024				DBS50E-S5EJ01024	1061269
2,000				DBS50E-S5EK02000	1062698
Cable, 8-wire, universal, 1.5 m			100	DBS50E-S5EK00100	1060690
			360	DBS50E-S5EK00360	1060691
			400	DBS50E-S5EK00400	1060692
			500	DBS50E-S5EK00500	1060693
			1,000	DBS50E-S5EK01000	1060694
			1,024	DBS50E-S5EK01024	1060695
			2,048	DBS50E-S5EK02048	1059903
2,500		DBS50E-S5EK02500	1061230		
Cable, 8-wire with male connector M12, universal, 0.5 m		100	DBS50E-S5EP00100	1067000	
		360	DBS50E-S5EP00360	1066061	
		1,000	DBS50E-S5EP01000	1062886	
		1,024	DBS50E-S5EP01024	1068207	
		2,000	DBS50E-S5EP02000	1066174	

Electrical interface	Voltage range	Connection type	Range of pulses per revolution	Type	Part no.
HTL/push pull	7 V ... 27 V	Cable, 8-wire, universal, 1.5 m	100	DBS50E-S5GK00100	1077822
			360	DBS50E-S5GK00360	1077823
			500	DBS50E-S5GK00500	1077826
			600	DBS50E-S5GK00600	1077827
			1,000	DBS50E-S5GK01000	1077825
			2,500	DBS50E-S5GK02500	1077828
Open Collector	4,5 V ... 30 V	Cable, 8-wire, universal, 1.5 m	100	DBS50E-S5RK00100	1077829
			360	DBS50E-S5RK00360	1077830
			500	DBS50E-S5RK00500	1077832
			600	DBS50E-S5RK00600	1077833
			1,000	DBS50E-S5RK01000	1077831
			2,500	DBS50E-S5RK02500	1077834

Interfaces

Signal outputs for electrical interfaces TTL and HTL

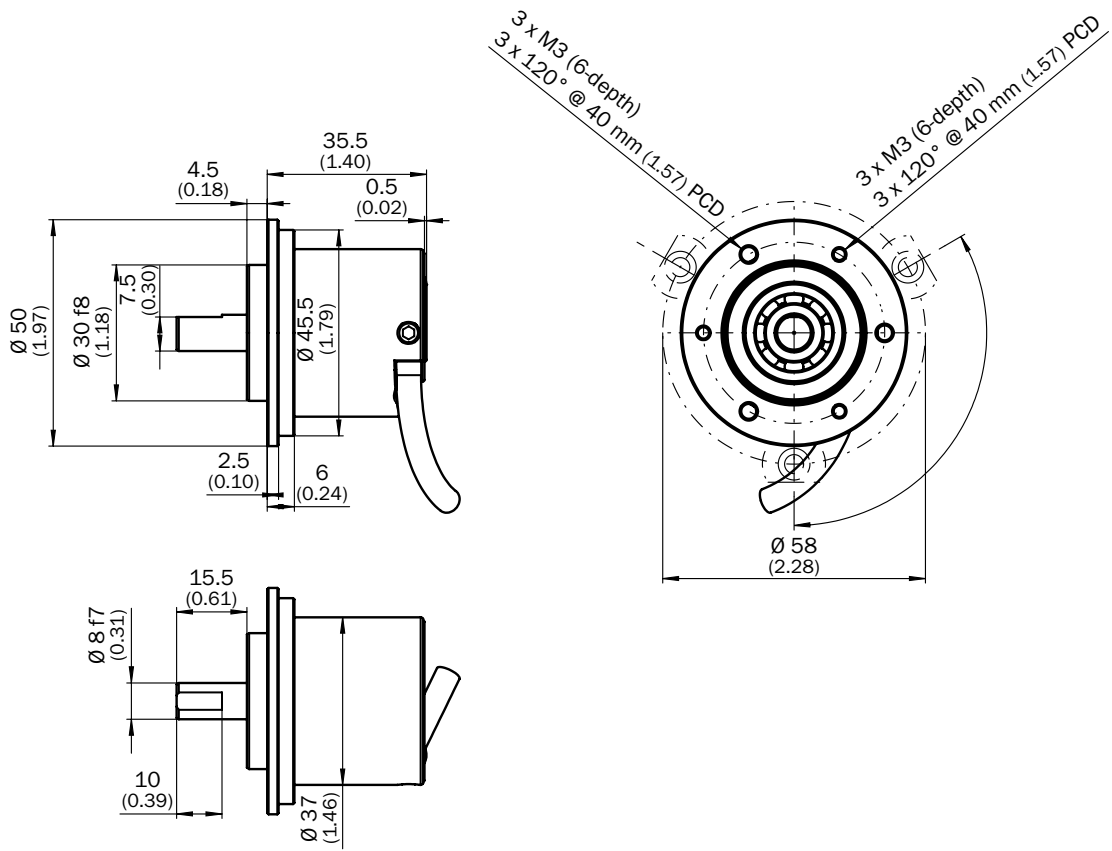


CW with view on the encoder shaft in direction “A”, compare dimensional drawing.

Interfaces G, P, R only for channels A, B, Z.

Supply voltage	Output
4.5 V ... 5.5 V	TTL/RS422
7 V ... 30 V	TTL/RS422
7 V ... 30 V	HTL Push Pull
7 V ... 27 V	HTL Push Pull, 3 channel
4.5 V ... 5.5 V	Open Collector NPN, 3 channel
4.5 V ... 30 V	Open Collector NPN, 3 channel

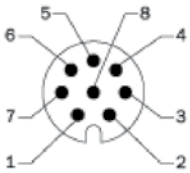
Dimensional drawings (dimensions in mm)



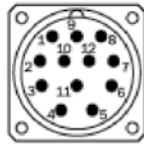
PIN assignment

8-core cable

View of M12 device connector on cable



View of M23 device connector on cable




Wire color	Pin 8-pole for M12	Pin 12-pole for M23	Signal HTL/ OC 3-channel	Signal TTL/ HTL 6-channel	Explanation
brown	1	6	Not connected	A-	Signal wire
white	2	5	A	A	Signal wire
black	3	1	Not connected	B-	Signal wire
pink	4	8	B	B	Signal wire
Yellow	5	4	Not connected	Z-	Signal wire
purple	6	3	Z	Z	Signal wire
blue	7	10	GND	GND	Ground connection of the encoder
Red	8	12	+Us	+Us	Supply voltage
-	-	9	Not connected	Not connected	Not connected
-	-	2	Not connected	Not connected	Not connected
-	-	11	Not connected	Not connected	Not connected
-	-	7	Not connected	Not connected	Not connected
Shield	Shield	Shield	Shield	Shield	Shield (connected with housing on the encoder side)

Accessories

Mounting systems


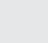
Mounting brackets and plates

Mounting bracket

Figure	Brief description	Type	Part no.
	Mounting bracket for encoder with centering hub 30 mm including mounting kit for face mount flange	BEF-WF-30	2066391

Other mounting accessories


Measuring wheels and measuring wheel systems

Figure	Brief description	Type	Part no.
	Measuring wheel with O-ring (NBR70) for 8 mm solid shaft, circumference 200 mm	BEF-MR008020R	2055223
	Measuring wheel with O-ring (NBR70) for 8 mm solid shaft, circumference 300 mm	BEF-MR008030R	2055635
	O-ring for measuring wheels (circumference 200 mm)	BEF-OR-053-040	2064061
	O-ring for measuring wheels (circumference 300 mm)	BEF-OR-083-050	2064076
	O-ring for measuring wheels (circumference 500 mm)	BEF-OR-145-050	2064074

Modular measuring wheel system



Brief description	Type	Part no.
Measuring wheel system, desired mounting position: left, for DBS50E-S5	BEF-MRS-08-1	2071956
Measuring wheel system, desired mounting position: right, for DBS50E-S5	BEF-MRS-08-2	2071953

Servo clamps

Figure	Brief description	Type	Part no.
	Servo clamps, small, for servo flange (clamps, eccentric fastener), 3 pcs., without mounting material	BEF-WK-RESOL	2039082

Shaft adaptation




Shaft couplings

Figure	Brief description	Type	Part no.
	Cross-slotted coupling, shaft diameter 6 mm / 8 mm, maximum shaft offset radial ± 0.3 mm, axial ± 0.2 mm, angle $\pm 3^\circ$; max. speed 10,000 rpm, torsion spring rigidity 38 Nm/wheel; material: fiber-glass reinforced polyamide, aluminum hub	KUP-0608-S	5314179
	Cross-slotted coupling, shaft diameter 8 mm / 8 mm, maximum shaft offset radial ± 0.3 mm, axial ± 0.2 mm, angle $\pm 3^\circ$; max. speed 10,000 rpm, torsion spring rigidity 38 Nm/wheel; material: fiber-glass reinforced polyamide, aluminum hub	KUP-0808-S	5314177
	Cross-slotted coupling, shaft diameter 8 mm / 10 mm, maximum shaft offset: radial ± 0.3 mm, axial ± 0.2 mm, angular $\pm 3^\circ$; torsion spring rigidity 38 Nm/wheel; material: fiber-glass reinforced polyamide, aluminum hub	KUP-0810-S	5314178
	Double-loop coupling, shaft diameter 8 mm/10 mm, maximum shaft offset: radial ± 2.5 mm, axial ± 3 mm, angular $\pm 10^\circ$; max. speed 3,000 rpm, -30°C to $+80^\circ\text{C}$, max. torque 1.5 Nm; material: polyurethane, galvanized steel flange	KUP-0810-D	5326704

Connectivity


Plug connectors and cables

Connecting cables with female connector





Figure	Brief description	Length of cable	Type	Part no.
	Head A: female connector, M12, 8-pin, straight Head B: cable Cable: suitable for drag chain, PVC, shielded, 4 x 2 x 0.25 mm ² , \varnothing 7.0 mm	2 m	DOL-1208-G02MAC1	6032866
		5 m	DOL-1208-G05MAC1	6032867
		10 m	DOL-1208-G10MAC1	6032868
		20 m	DOL-1208-G20MAC1	6032869
	Head A: female connector, M23, 12-pin, straight Head B: cable Cable: incremental, PUR, shielded, 4 x 2 x 0.25 mm ² + 2 x 0.5 mm ² + 1 x 0.14 mm ² , \varnothing 7.8 mm ¹⁾	2 m	DOL-2312-G02MLA3	2030682
		7 m	DOL-2312-G07MLA3	2030685
		10 m	DOL-2312-G10MLA3	2030688
		15 m	DOL-2312-G15MLA3	2030692
		20 m	DOL-2312-G20MLA3	2030695
		25 m	DOL-2312-G25MLA3	2030699
	Head A: female connector, M23, 12-pin, straight Head B: cable Cable: incremental, suitable for drag chain, PUR, shielded, 4 x 2 x 0.25 mm ² + 2 x 0.5 mm ² + 1 x 0.14 mm ² , \varnothing 7.8 mm ¹⁾	1.5 m	DOL-2312-G1M5MA3	2029212
		3 m	DOL-2312-G03MMA3	2029213
		5 m	DOL-2312-G05MMA3	2029214
		10 m	DOL-2312-G10MMA3	2029215
		20 m	DOL-2312-G20MMA3	2029216
		30 m	DOL-2312-G30MMA3	2029217

¹⁾ Warning! Only in combination with electrical interfaces A, C, E and P.



Female connectors (ready to assemble)

Figure	Brief description	Type	Part no.
	Head A: female connector, M12, 8-pin, straight, A encoded, shielded, for cable diameter 4 mm ... 8 mm Head B: - Operating temperature: -40 °C ... +85 °C	DOS-1208-GA01	6045001
	Head A: female connector, M23, 12-pin, straight, shielded, for cable diameter 5.5 mm ... 10.5 mm Head B: - Operating temperature: -20 °C ... +130 °C	DOS-2312-G	6027538
	Head A: female connector, M23, 12-pin, angled, shielded, for cable diameter 4.2 mm ... 6.6 mm Head B: - Operating temperature: -20 °C ... +130 °C	DOS-2312-W01	2072580
	Head A: female connector, M23, 12-pin, straight, shielded, for cable diameter 5.5 mm ... 10.5 mm Head B: - Operating temperature: -40 °C ... +125 °C	DOS-2312-G02	2077057

Cables (ready to assemble)

Figure	Brief description	Length of cable	Type	Part no.
	Head A: cable Head B: cable Cable: suitable for drag chain, PUR, halogen-free, shielded, 4 x 2 x 0.15 mm ² , Ø 5.6 mm	By the meter	LTG-2308-MWENC	6027529
	Head A: cable Head B: cable Cable: PUR, shielded, 4 x 2 x 0.25 mm ² + 2 x 0.5 mm ² + 1 x 0.14 mm ² , Ø 7.5 mm		LTG-2411-MW	6027530
	Head A: cable Head B: cable Cable: suitable for drag chain, PUR, halogen-free, shielded, 4 x 2 x 0.25 mm ² + 2 x 0.5 mm ² + 2 x 0.14 mm ² , Ø 7.8 mm		LTG-2512-MW	6027531
	Head A: cable Head B: cable Cable: suitable for drag chain, PUR, halogen-free, shielded, UV and saltwater resistant, 4 x 2 x 0.25 mm ² + 2 x 0.5 mm ² + 2 x 0.14 mm ² , Ø 7.8 mm		LTG-2612-MW	6028516

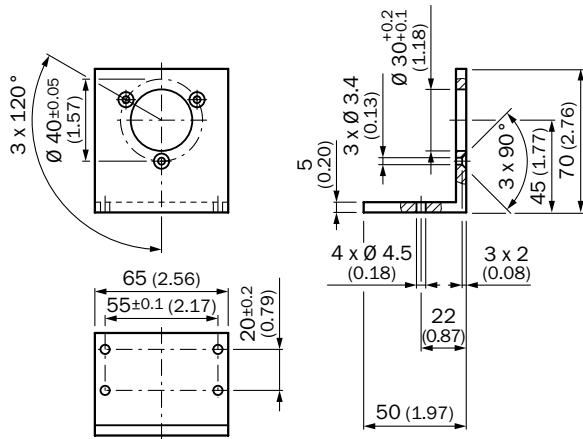
Male connector (ready to assemble)

Figure	Brief description	Type	Part no.
	Head A: male connector, M12, 8-pin, straight, A encoded, shielded, for cable diameter 4 mm ... 8 mm Head B: - Operating temperature: -40 °C ... +85 °C	STE-1208-GA01	6044892
	Head A: male connector, M23, 12-pin, straight, shielded, for cable diameter 5.5 mm ... 10.5 mm Head B: - Operating temperature: -20 °C ... +130 °C	STE-2312-G	6027537
	Head A: male connector, M23, 12-pin, straight, for cable diameter 5.5 mm ... 10.5 mm Head B: - Operating temperature: -40 °C ... +125 °C	STE-2312-G01	2077273

Dimensional drawings for accessories (dimensions in mm)

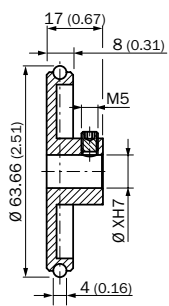
Mounting brackets and plates

BEF-WF-30

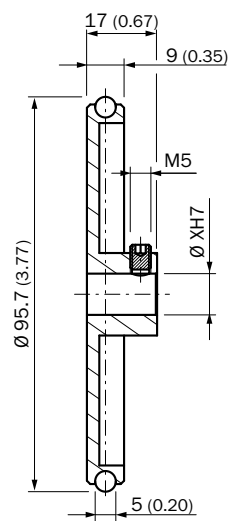


Other mounting accessories

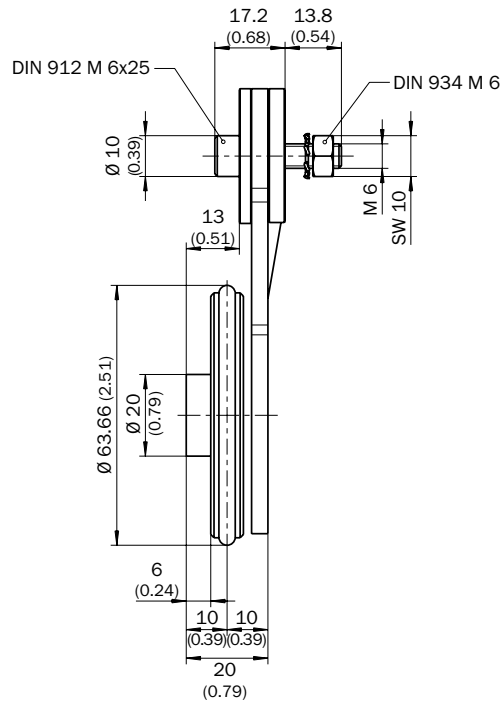
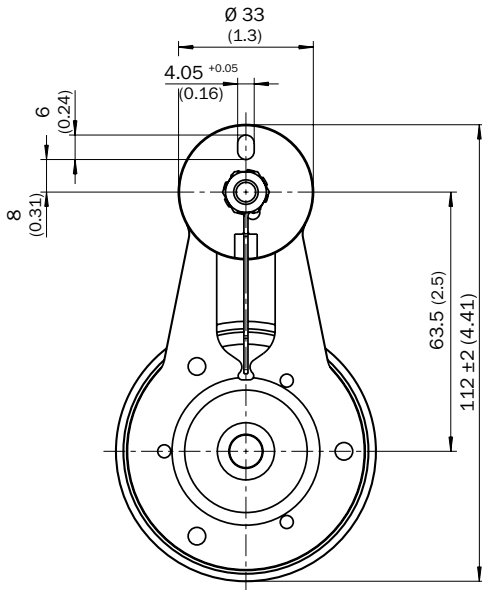
BEF-MR008020R



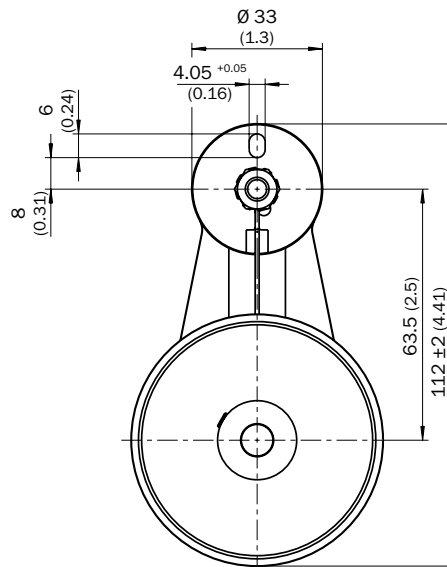
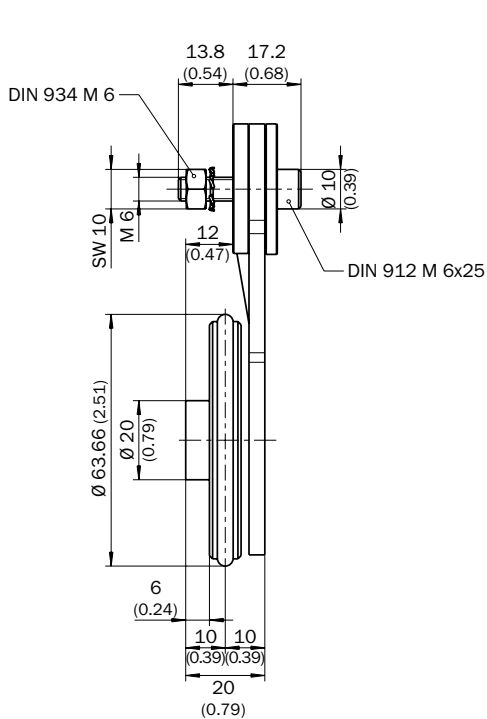
BEF-MR008030R



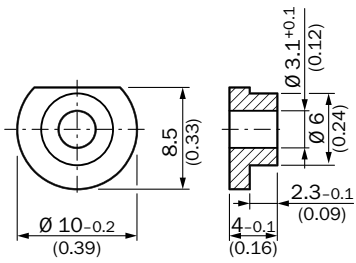
BEF-MRS-08-1



BEF-MRS-08-2

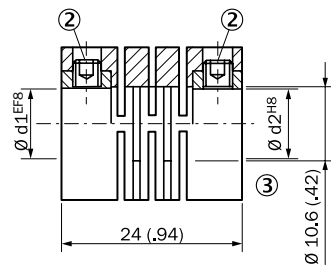
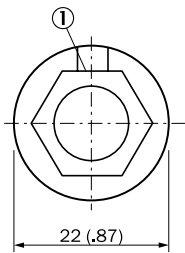


BEF-WK-RESOL

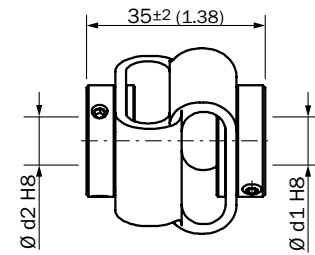
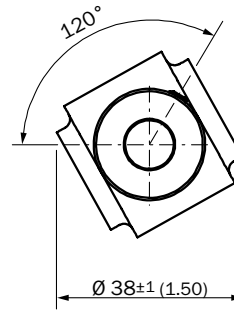


Shaft adaptation

- KUP-0608-S
- KUP-0808-S
- KUP-0810-S

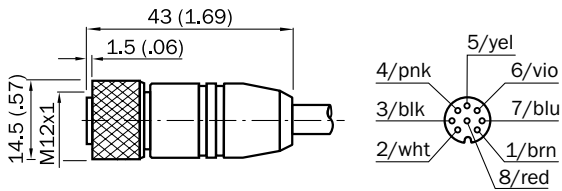


KUP-0810-D



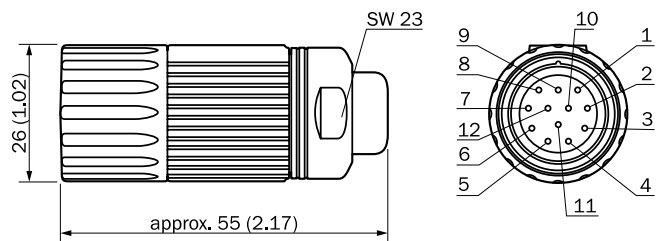
Plug connectors and cables

- DOL-1208-G02MAC1
- DOL-1208-G05MAC1
- DOL-1208-G10MAC1
- DOL-1208-G20MAC1



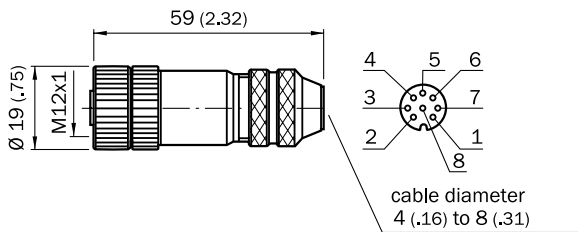
All dimensions in mm (inch)

- DOL-2312-G02MLA3
- DOL-2312-G30MLA3
- DOL-2312-G07MLA3
- DOL-2312-G10MLA3
- DOL-2312-G15MLA3
- DOL-2312-G20MLA3
- DOL-2312-G25MLA3
- DOL-2312-G30MLA3
- DOL-2312-G05MMA3
- DOL-2312-G10MMA3
- DOL-2312-G20MMA3
- DOL-2312-G30MMA3
- DOL-2312-G1M5MA3

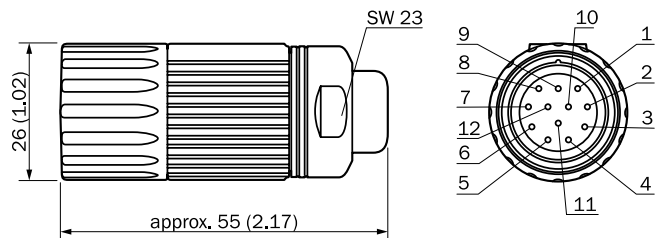


- ① Black
- ② Gray
- ③ Purple
- ④ Yellow
- ⑤ White
- ⑥ Brown
- ⑧ Pink
- ⑨ Shield
- ⑩ Blue
- ⑪ Green
- ⑫ Red

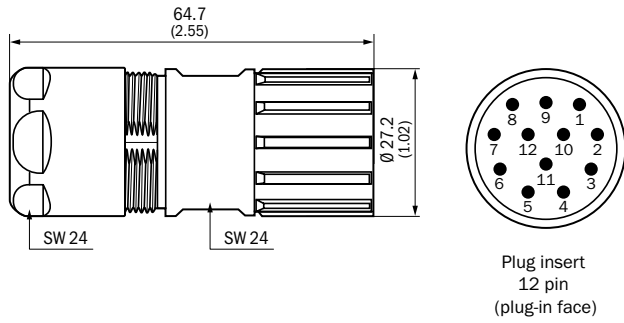
DOS-1208-GA01



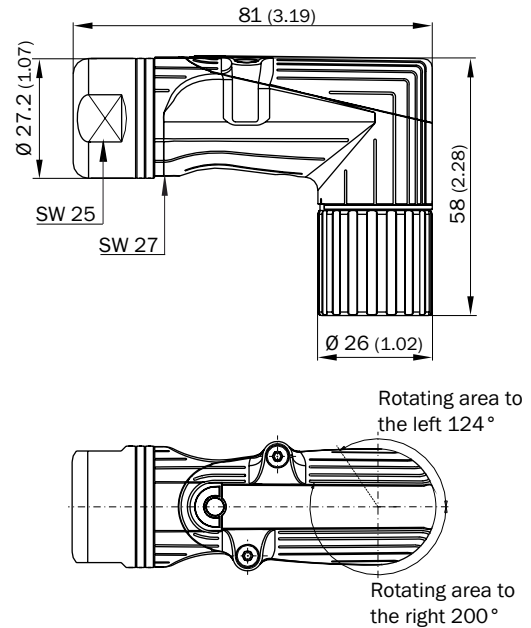
DOS-2312-G



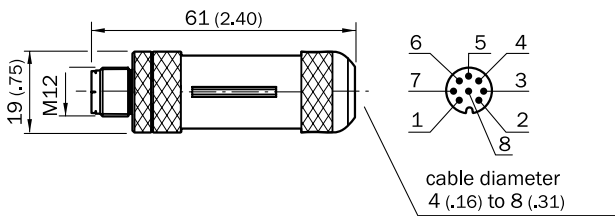
DOS-2312-G02



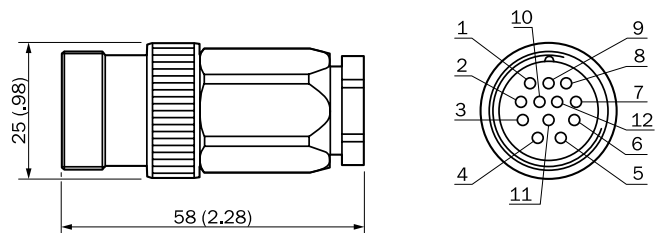
DOS-2312-W01



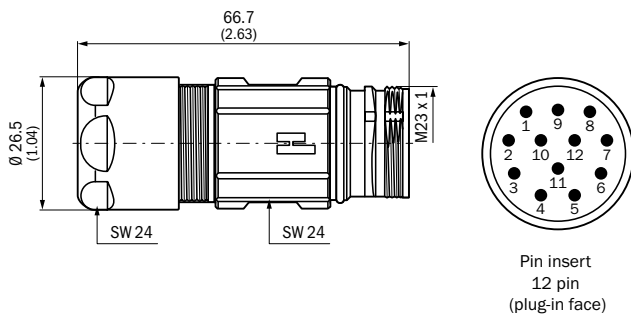
STE-1208-GA01



STE-2312-G



STE-2312-G01



REGISTER AT WWW.SICK.COM TODAY AND ENJOY ALL THE BENEFITS






- ✔ Select products, accessories, documentation and software quickly and easily.
- ✔ Create, save and share personalized wish lists.
- ✔ View the net price and date of delivery for every product.
- ✔ Requests for quotation, ordering and delivery tracking made easy.
- ✔ Overview of all quotations and orders.
- ✔ Direct ordering: submit even very complex orders in moments.
- ✔ View the status of quotations and orders at any time. Receive e-mail notifications of status changes.
- ✔ Easily repeat previous orders.
- ✔ Conveniently export quotations and orders to work with your systems.



SERVICES FOR MACHINES AND SYSTEMS: SICK LifeTime Services

Our comprehensive and versatile LifeTime Services are the perfect addition to the comprehensive range of products from SICK. The services range from product-independent consulting to traditional product services.



- 
Consulting and design
 Safe and professional
- 
Product and system support
 Reliable, fast and on-site
- 
Verification and optimization
 Safe and regularly inspected
- 
Upgrade and retrofits
 Easy, safe and economical
- 
Training and education
 Practical, focused and professional

SICK AT A GLANCE

SICK is a leading manufacturer of intelligent sensors and sensor solutions for industrial applications. With almost 7,000 employees and over 50 subsidiaries and equity investments as well as numerous representative offices worldwide, we are always close to our customers. A unique range of products and services creates the perfect basis for controlling processes securely and efficiently, protecting individuals from accidents and preventing damage to the environment.

We have extensive experience in various industries and understand their processes and requirements. With intelligent sensors, we can deliver exactly what our customers need. In application centers in Europe, Asia and North America, system solutions are tested and optimized in accordance with customer specifications. All this makes us a reliable supplier and development partner.

Comprehensive services round out our offering: SICK LifeTime Services provide support throughout the machine life cycle and ensure safety and productivity.

For us, that is “Sensor Intelligence.”

Worldwide presence:

Australia, Austria, Belgium, Brazil, Canada, Chile, China, Czech Republic, Denmark, Finland, France, Germany, Great Britain, Hungary, India, Israel, Italy, Japan, Malaysia, Mexico, Netherlands, New Zealand, Norway, Poland, Romania, Russia, Singapore, Slovakia, Slovenia, South Africa, South Korea, Spain, Sweden, Switzerland, Taiwan, Thailand, Turkey, United Arab Emirates, USA, Vietnam.

Detailed addresses and additional representatives → www.sick.com