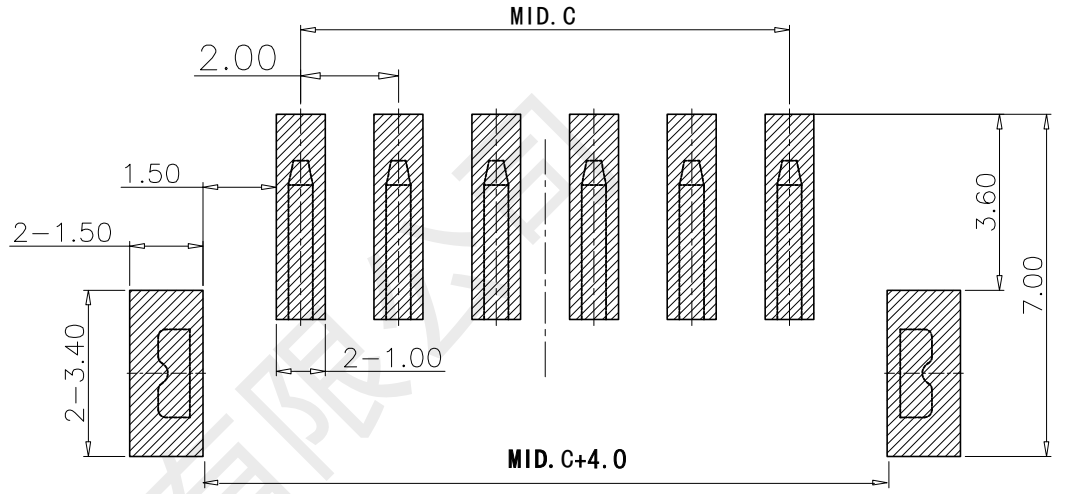
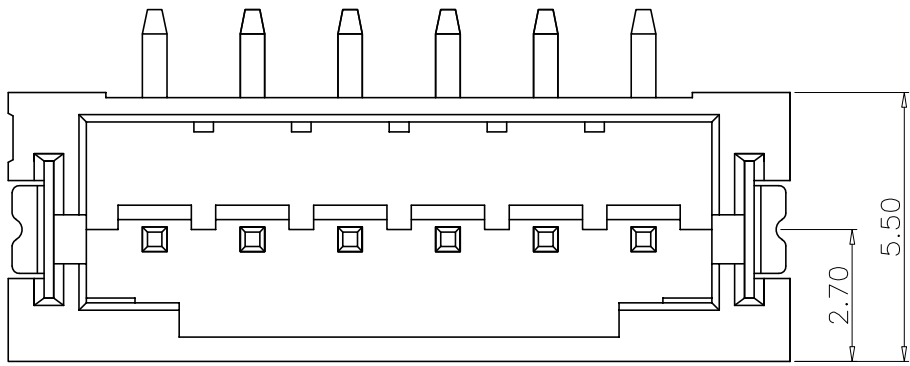
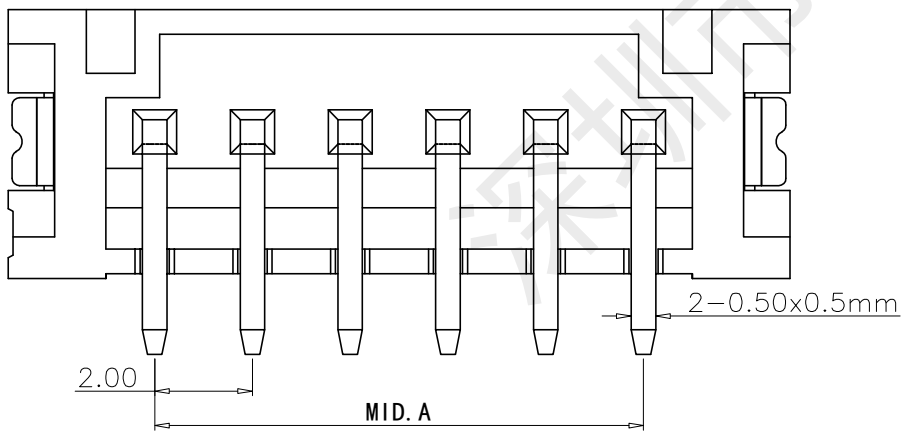
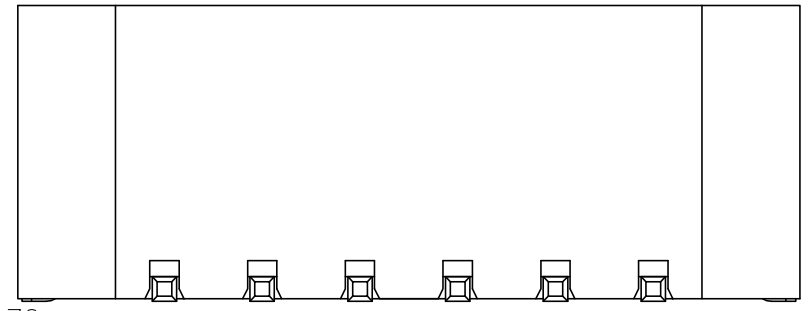
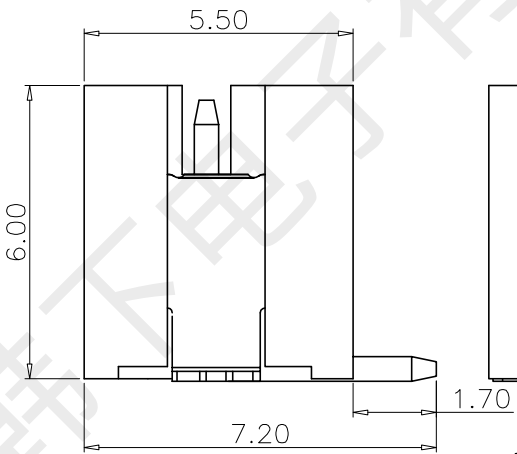
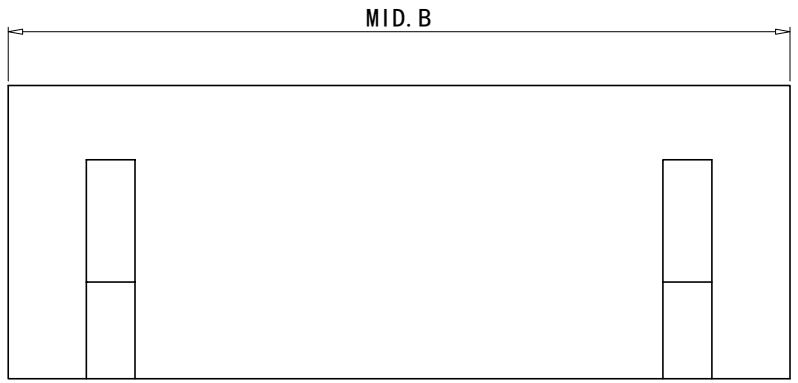


Rev No.	Description of Revision	Date	Name	Approved	ECN No.



RECOMMENDER P.C.B LAYOUT TOP VIEW
(GENERAL TOLERANCE ±0.10)





PIN数	MID.A	MID.B	MID.C
2P	2.00	8.00	2.00
3P	4.00	10.00	4.00
4P	6.00	12.00	6.00
5P	8.00	14.00	8.00
6P	10.00	16.00	10.00

序号	配件名称	材质	电镀	颜色	数量
③	端子	黄铜H65	镀亮锡		6PCS
②	固定片	黄铜H65	镀亮锡		2PCS
①	塑胶主体	LCP		本色	1PCS

Specifications:
 1. Rated Voltage :125V AC/DC
 2. Rated Current : 2A AC,DC
 3. Withstand Voltage :200V AC/minute
 4. Contact Resistance:50mΩ (MAX.)
 5. Insulation Resistance:100mΩ (MIN.)
 6. Storage Temperature Range:-40°C~+85°C;
 7. Operation Temperature Range:-25°C~+70°C;

UNLESS OTHERWISE SPECIFIED TOLERANCES

DECIMALS:	ANGLES
X. ±0.15	X° ±2'
X.X ±0.10	X.X' ±1'
X.XX ±0.05	X.XX' ±0.5'
X.XXX ±0.03	


深圳市韩下电子有限公司
 TITLE: HX-PH2.0-2ALB wire-to-board header
 Drwn: 黄彬 PART NO: WF004-LT20006-01
 Checked: 张伟 SCALE: 1:8 UNIT: mm PROJ: 
 Approved: 罗小春 SIZE: A4 SHEET: 1 OF 1 REV: A
 CUSTOMER COPY