

## MX6-3 lenses for Cree MX-6 LEDs



- Designed for Cree MX-6 LEDs.
- Lens material optical grade PMMA with high UV and temperature resistance (105°C/220°F)
- High optical efficiency, >85%
- No lens holder. Fastening to heat sink with droplets of glue or by heat staking of legs
- Diameter 50 mm (MR16)
- Mechanical CAD models available upon request
- Both lens types have the same outer dimensions.

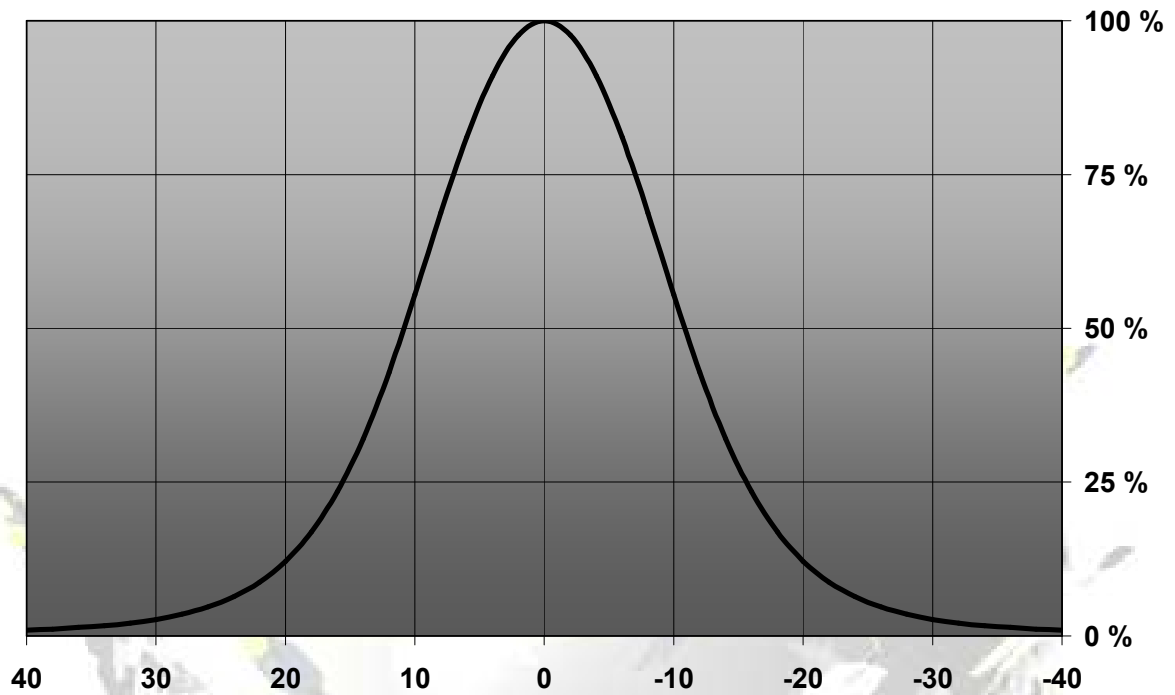
## LENS TYPES

NAME	ORDERING CODE	FWHM Angle
MX6-3 medium	C10436_MX6-3-M	±11°
MX6-3 wide	C10364_MX6-3-W	±25°

© Ledil Oy – PRELIMINARY - Subject to change without prior notice

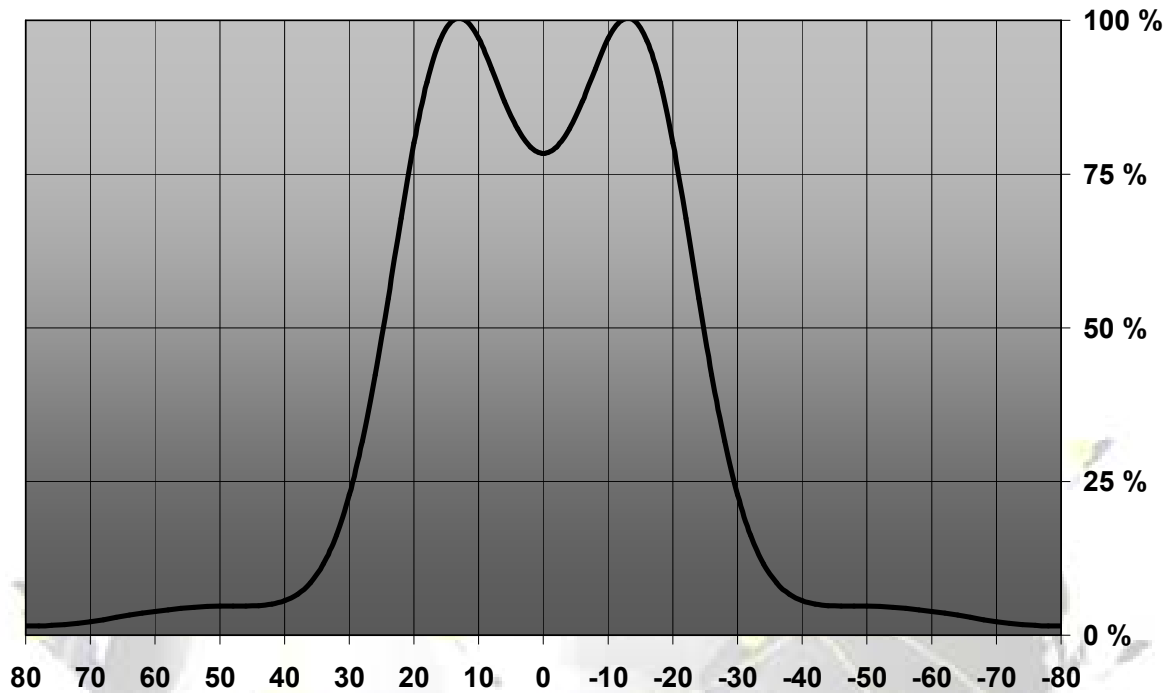
## MEASUREMENT DATA

Relative Intensity of C10436\_MX6-3-M



© Ledil Oy – PRELIMINARY - Subject to change without prior notice

Relative Intensity of C10364\_MX6-3-W



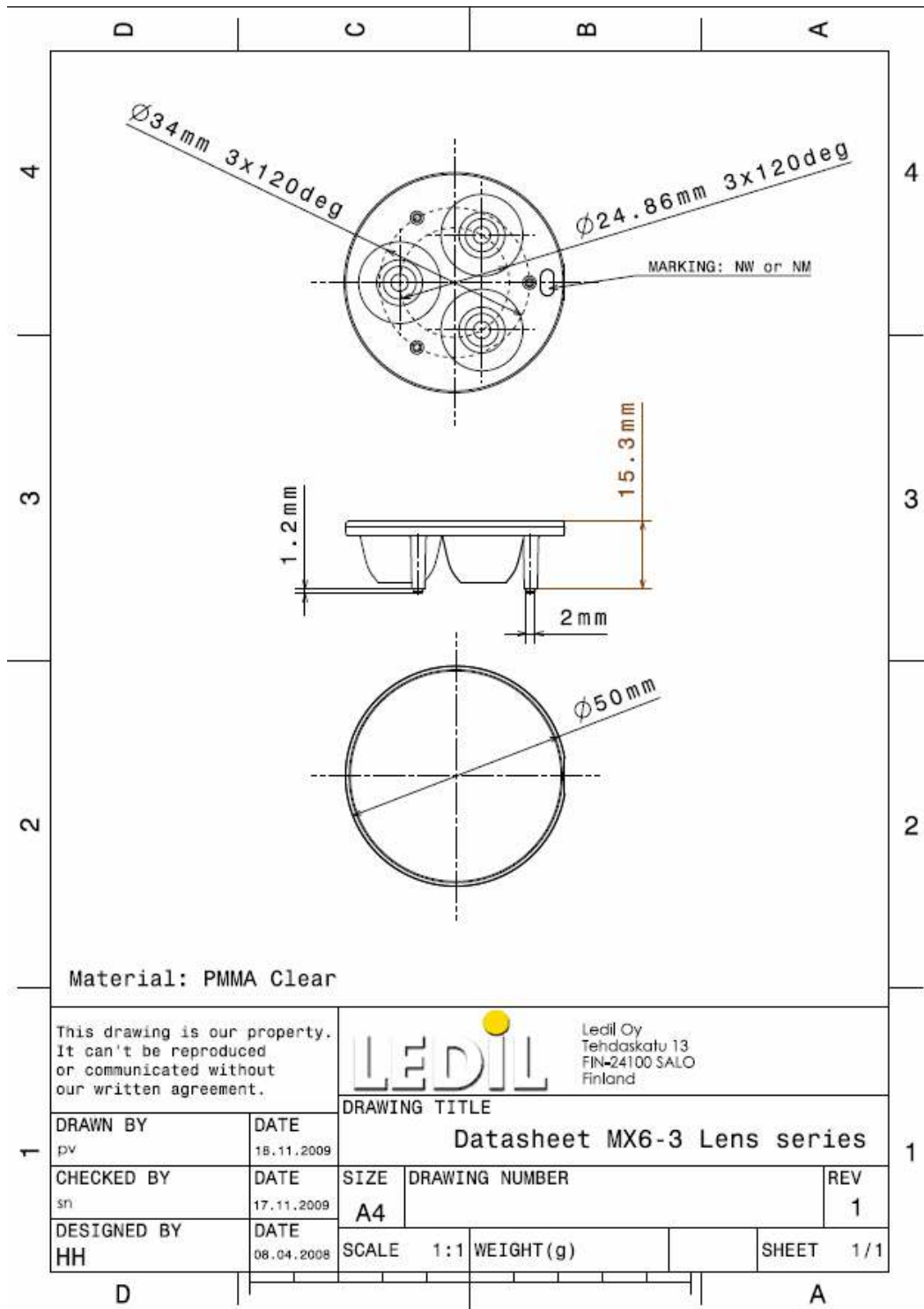
© Ledil Oy – PRELIMINARY - Subject to change without prior notice

Ledil Oy  
Tehdaskatu 13  
FIN-24100 SALO, Finland

[www.ledil.com](http://www.ledil.com)  
email: [ledil@ledil.com](mailto:ledil@ledil.com)  
FAX: +358-2-733 8001

2009-11-18

## DRAWINGS



© Ledil Oy – PRELIMINARY - Subject to change without prior notice