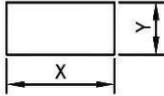
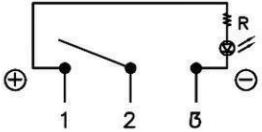


THIS INFORMATION IS CONFIDENTIAL AND PROPRIETARY TO CW INDUSTRIES INCORPORATED AND ITS AFFILIATES. IT MAY NOT BE DISCLOSED TO ANYONE, OTHER THAN CW INDUSTRIES PERSONNEL, WITHOUT WRITTEN AUTHORIZATION FROM CW INDUSTRIES INCORPORATED, SOUTHAMPTON, PENNSYLVANIA USA.

Rating	21A 14VDC
Contact Resistance	50m ohm Max.
Insulation Resistance	DC 500V 100M ohm Min.
Dielectric Strength	AC 1500V 1 minute
Operation Temp.	- 20° C ~ 85° C
Function	3P SPST ON-OFF (Led)

Mounting Hole			Circuit Diagram
			 <p style="text-align: center;">12V R=680 ohm</p>
Thickness	X	Y	
0.75~5mm 0.03~0.2inch	36.8 ^{+0.2} 1.45 ^{+0.008}	15.3 ^{+0.2} .60 ^{+0.008}	

Material:

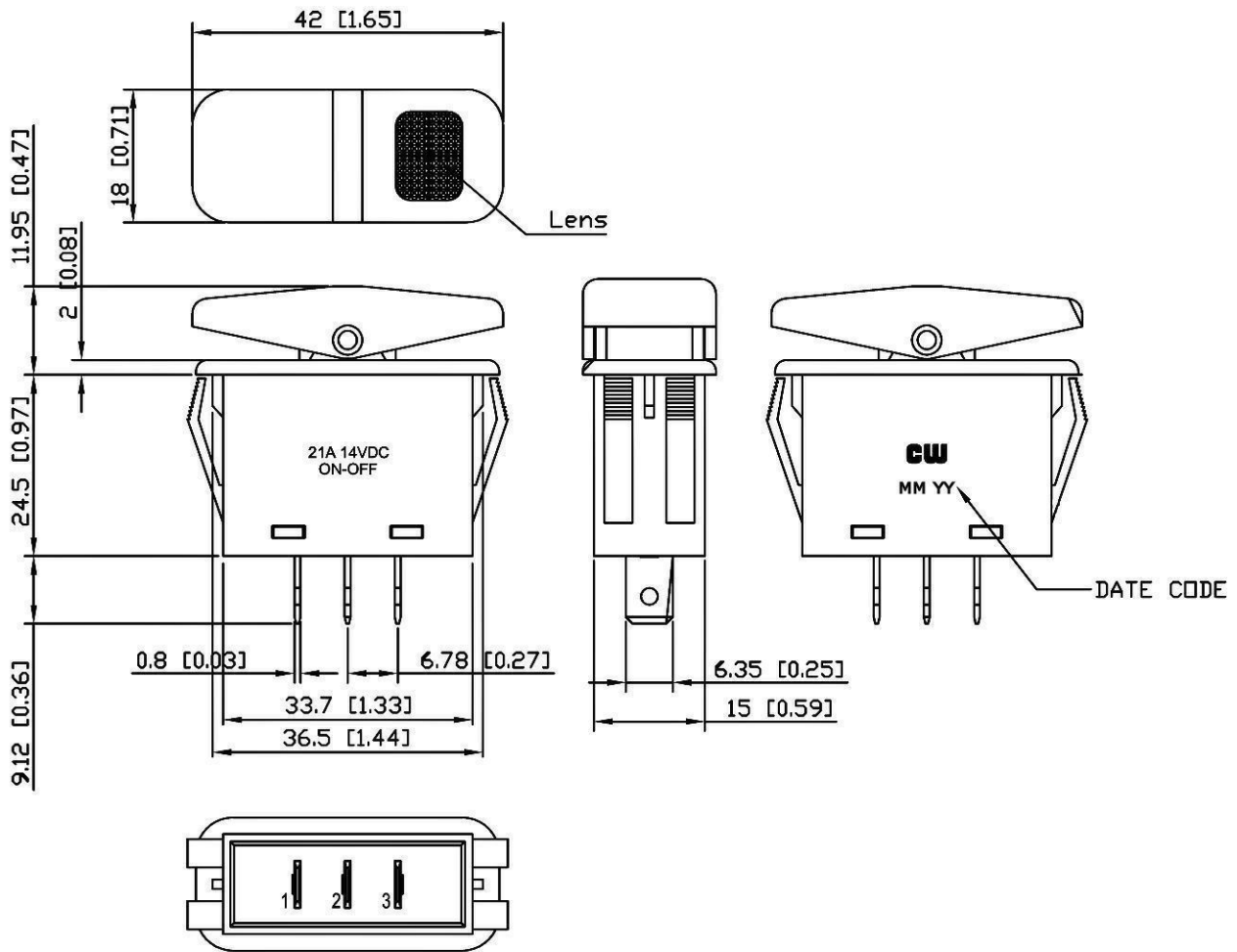
Frame: Black, Nylon# 66

Actuator: Black, Nylon#66+33%GF

Lens: Red, PC

Printed: None

Water proof and dust proof to fit IP-56



RoHS Compliant

CW INDUSTRIES
Southampton, Pa. 18966
Tel 215.355.7080/www.cwind.com

Date Drawn: 5/20/10

Rev. 0

Unit: mm

Checked By: GG

Title: **ROCKER SWITCH**

CW P/N: **GRB258B01BR1**

Mouser Electronics

Authorized Distributor

Click to View Pricing, Inventory, Delivery & Lifecycle Information:

[CW Industries:](#)

[GRB258B01BR1](#)