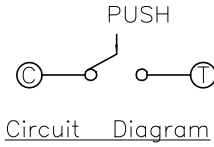


REVISIONS					
REV.	ECN NO.	LOCATION	DESCRIPTION	DATE	DESIGN
A0	N/A		INITIAL RELEASE	/	/
A1	N/A		图面升级整理图面	2025.06.25	阿树

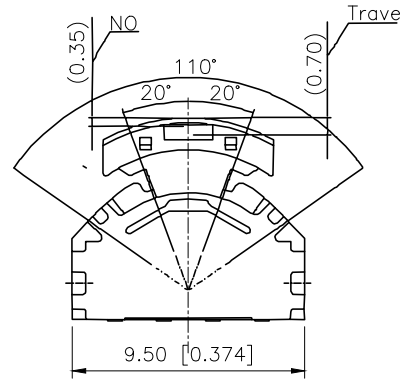
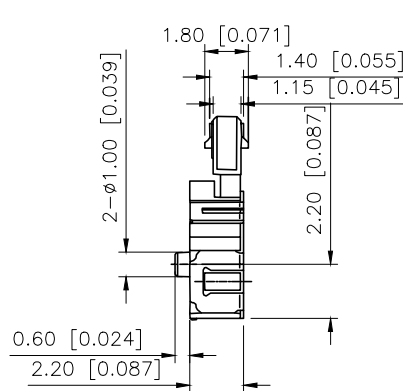
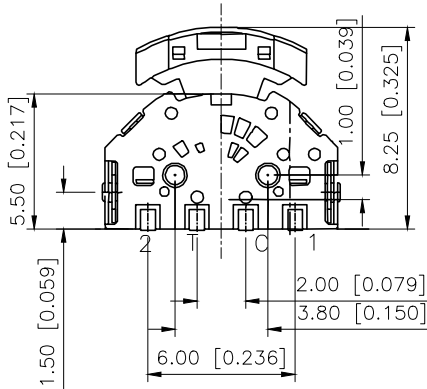
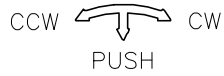
0° (Hatched) = NO

TER	ANG	(20)	(15)	(15)	(20)
①					
②					
③					

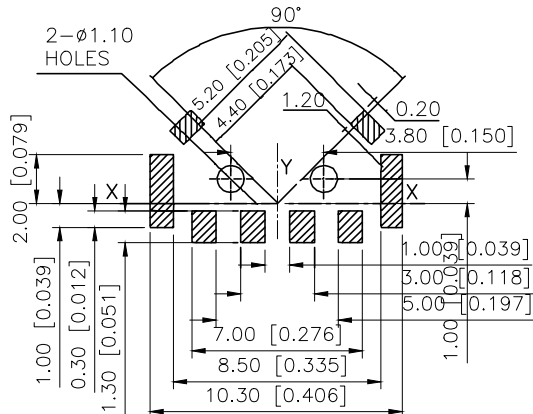
ccw ← → cw



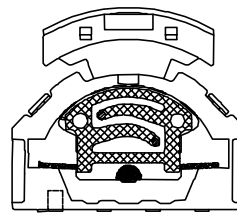
CODE TABLE



NOTE:
 Operating Force.
 lever portion 100 ± 30 gf
 Push portion 205 ± 50 gf



P.C.B Mounting Pattern Dimension



⑥	Terminal	4	Brass(0.15t)	Plating silver
⑤	Contact	1	F.ag/Brass	Plating silver
④	Base	1	Nylon	
③	Spring	1	Sus	Natural
②	Cover	1	Sus	Natural
①	Keystake	1	Nylon	
ITEM	PAPT NAMF	QTY	MATERIAL	FINISHING

AuGLAR	±5°
X.	±0.40
X.x	±0.30
X.xx	±0.20
X.xxx	±0.15
UNSPECIFIED TOLERANCES	



DESIGN	阿树	VIEW:		MODEL TYPE:	MULTI-FUNCTIONAL SWITCH
CHECKED		UNIT:	mm/in	PART NO.:	TM-2025A
APPROVED		SIZE:	A4	DWG NO.:	