



SIRIUS safety relay basic unit 3SK2 series 10 F-DI, 2 F-DQ, 1 DQ, 24 V DC Can be parameterized via SIRIUS Safety ES 22.5 mm overall width spring-loaded terminal (push-in) up to SIL 3 (IEC 62061) up to performance level e (ISO 13849-1) output expansions 3SK1, coupling relay 3RQ1 and fail-safe motor starters 3RM1 via device connector connectable

product brand name	SIRIUS
product category	Safety relay
product designation	Base-Unit
design of the product	10 F-DI, 2 F-DQ, 1 DQ
suitability for use for monitoring of optoelectronic protective devices according to IEC 61496-1	Yes
suitability for use	
<ul style="list-style-type: none"> • monitoring of floating sensors • monitoring of non-floating sensors • position switch monitoring • EMERGENCY-OFF circuit monitoring • valve monitoring • opto-electronic protection device monitoring • magnetically operated switch monitoring • proximity switch monitoring • safety-related circuits 	<ul style="list-style-type: none"> Yes Yes Yes Yes Yes Yes Yes Yes Yes Yes
General technical data	
product function	
<ul style="list-style-type: none"> • EMERGENCY STOP function • protective door monitoring • protective door monitoring with tumbler • muting, 2 sensor-parallel • muting, 4 sensor-parallel • muting, 4 sensor-sequential • monitoring parameterizable • evaluation: electro-sensitive protective equipment • evaluation: selector switch • pressure-sensitive mat monitoring • evaluation: two-hand operator panel • evaluation: enabling switch • monitored start-up • two-hand control according to EN 574 	<ul style="list-style-type: none"> Yes Yes Yes Yes Yes Yes Yes Yes Yes Yes Yes Yes Yes Yes
configuration software required	Yes; Safety ES V1.0 and higher
number of function blocks typical	50
insulation voltage rated value	50 V
degree of pollution	3
surge voltage resistance rated value	800 V
protection class IP	IP20
<ul style="list-style-type: none"> • of the enclosure • of the terminal 	<ul style="list-style-type: none"> IP20 IP20

shock resistance	15g / 11 ms
operating frequency maximum	2 000 1/h
reference code according to IEC 81346-2	F
Substance Prohibitance (Date)	05/28/2009
SVHC substance name	Lead - 7439-92-1 Lead monoxide (lead oxide) - 1317-36-8 2,2',6,6'-tetrabromo-4,4'-isopropylidenediphenol - 79-94-7 Lead titanium zirconium oxide - 12626-81-2
product function suitable for AS-i Power24V	No
product function diagnostics with CTT2 slave	No
Ambient conditions	
installation altitude at height above sea level maximum	4 000 m; Derating, see Product Notification 109792701
ambient temperature	
• during operation	-25 ... +60 °C
• during storage	-40 ... +80 °C
• during transport	-40 ... +80 °C
relative humidity during operation	10 ... 95 %
air pressure according to SN 31205	90 ... 106 kPa
Electromagnetic compatibility	
EMC emitted interference according to IEC 60947-1	class A
conducted interference	
• due to burst according to IEC 61000-4-4	2 kV (power ports) / 1 kV (signal ports)
field-based interference according to IEC 61000-4-3	10 V/m
electrostatic discharge according to IEC 61000-4-2	4 kV contact discharge / 8 kV air discharge
Safety related data	
diagnostics test interval by internal test function maximum	1 000 s
stop category according to IEC 60204-1	0 / 1
IEC 62061	
SIL Claim Limit (subsystem) according to EN 62061	3
PFHD with high demand rate	
• according to IEC 62061	1E-8 1/h
ISO 13849	
category according to EN ISO 13849-1	4
performance level (PL) according to ISO 13849-1	e
IEC 61508	
Safety Integrity Level (SIL) according to IEC 61508	3
PFDAvg with low demand rate according to IEC 61508	1.5E-5
hardware fault tolerance according to IEC 61508	1
T1 value for proof test interval or service life according to IEC 61508	20 a
Electrical Safety	
touch protection against electrical shock	finger-safe
Inputs/ Outputs	
product function	
• parameterizable inputs	Yes
• parameterizable outputs	Yes
• at the digital outputs short-circuit protection	Yes
number of inputs	
• safety-related	10
• non-safety-related	0
input delay time	0 ... 150 ms
type of digital inputs according to IEC 60947-1	Type 1
ingress acquisition time at digital input maximum	60 ms
input delay time at digital input maximum	150 ms
input voltage at digital input	
• at DC rated value	24 V
• with signal <0> at DC	-3 ... +5 V
• for signal <1> at DC	15 ... 30
input current at digital input	
• for signal <1> typical	2.6 mA
number of outputs	
• safety-related 2-channel	2

<ul style="list-style-type: none"> • for testing contact-based sensors 	2
number of outputs as contact-affected switching element safety-related	
<ul style="list-style-type: none"> • 1-channel • 2-channel 	0 0
number of outputs as contact-less semiconductor switching element	
<ul style="list-style-type: none"> • safety-related 2-channel • non-safety-related 	2 1
design of the contactless switching element safety-related	P potential
recovery time of the safe outputs	0 ms
readback time maximum	400 ms
light test period	3 ms
dark period of the common drivers	3 ms
switching capacity current of semiconductor outputs at DC-13 at 24 V	4 A
residual current	
<ul style="list-style-type: none"> • maximum • at digital output with signal <0> maximum 	0.1 mA 0.1 mA
total current maximum	6.5 A
wire length of the signal cable	
<ul style="list-style-type: none"> • to the inputs <ul style="list-style-type: none"> — shielded maximum — unshielded maximum • to the outputs <ul style="list-style-type: none"> — shielded maximum — unshielded maximum 	1 000 m 600 m 1 000 m 600 m
Communication/ Protocol	
protocol optional is supported	
<ul style="list-style-type: none"> • PROFIBUS DP protocol • PROFINET IO protocol 	Yes; when using the DP interface module; 64 bit cyclical data Yes; when using the PN interface module; 64-bit cyclic data
protocol is supported AS-Interface protocol	No
Control circuit/ Control	
type of voltage	DC
control supply voltage rated value	24 V
inrush current peak	
<ul style="list-style-type: none"> • at 24 V 	10 A
duration of inrush current peak	
<ul style="list-style-type: none"> • at 24 V 	1 ms
operating power rated value	2.5 W
Installation/ mounting/ dimensions	
mounting position	any
fastening method	Snap-mounted to DIN rail or screw-mounted with additional push-in lug
height	100 mm
width	22.5 mm
depth	124.5 mm
Connections/ Terminals	
product function removable terminal	Yes
type of electrical connection	spring-loaded terminal (push-in)
type of connectable conductor cross-sections	
<ul style="list-style-type: none"> • solid • finely stranded with core end processing • for AWG cables solid • for AWG cables stranded 	1x (0.5 ... 1.5 mm ²), 2x (0.5 ... 1.5 mm ²) 1x (0.5 ... 1.0 mm ²), 2x (0.5 ... 1.0 mm ²) 1x (20 ... 16), 2x (20 ... 16) 1x (20 ... 16), 2x (20 ... 16)
connectable conductor cross-section finely stranded with core end processing	0.5 ... 1 mm ²
AWG number as coded connectable conductor cross section	
<ul style="list-style-type: none"> • solid • stranded 	20 ... 16 20 ... 16
Approvals Certificates	
General Product Approval	Functional Safety



Confirmation



Type Examination Certificate

Test Certificates	other	Environment
-------------------	-------	-------------

[Type Test Certificates/Test Report](#)

[Confirmation](#)

[Environmental Confirmations](#)

Further information

Information on the packaging

<https://support.industry.siemens.com/cs/ww/en/view/109813875>

Information- and Downloadcenter (Catalogs, Brochures,...)

<https://www.siemens.com/ic10>

Industry Mall (Online ordering system)

<https://mall.industry.siemens.com/mall/en/en/Catalog/product?mlfb=3SK2112-2AA10>

Cax online generator

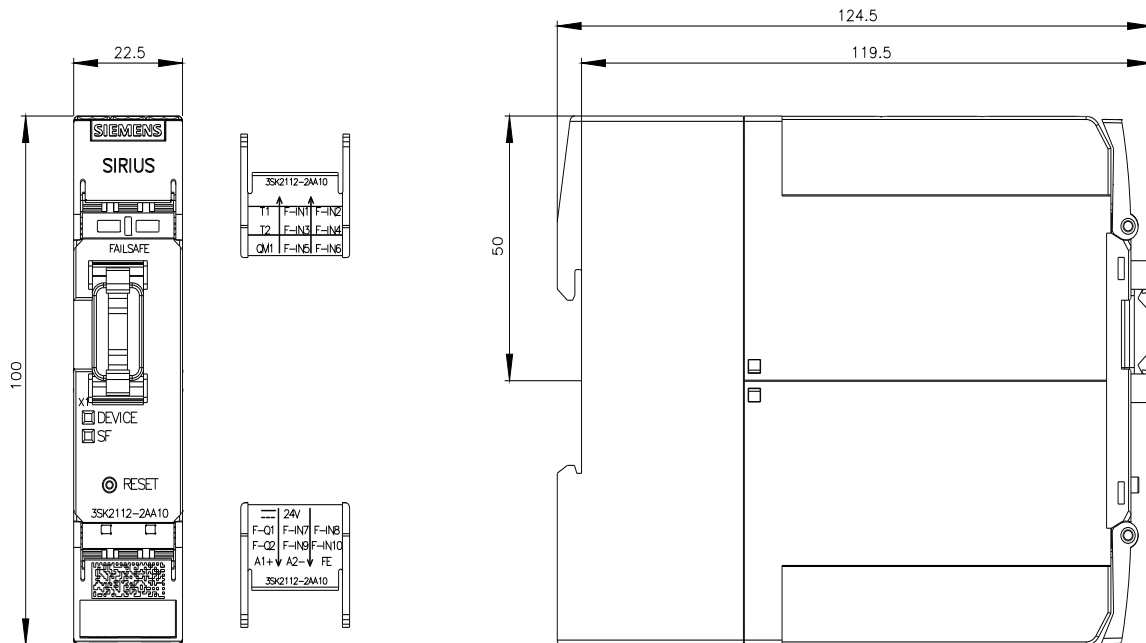
<http://support.automation.siemens.com/WW/CAXorder/default.aspx?lang=en&mlfb=3SK2112-2AA10>

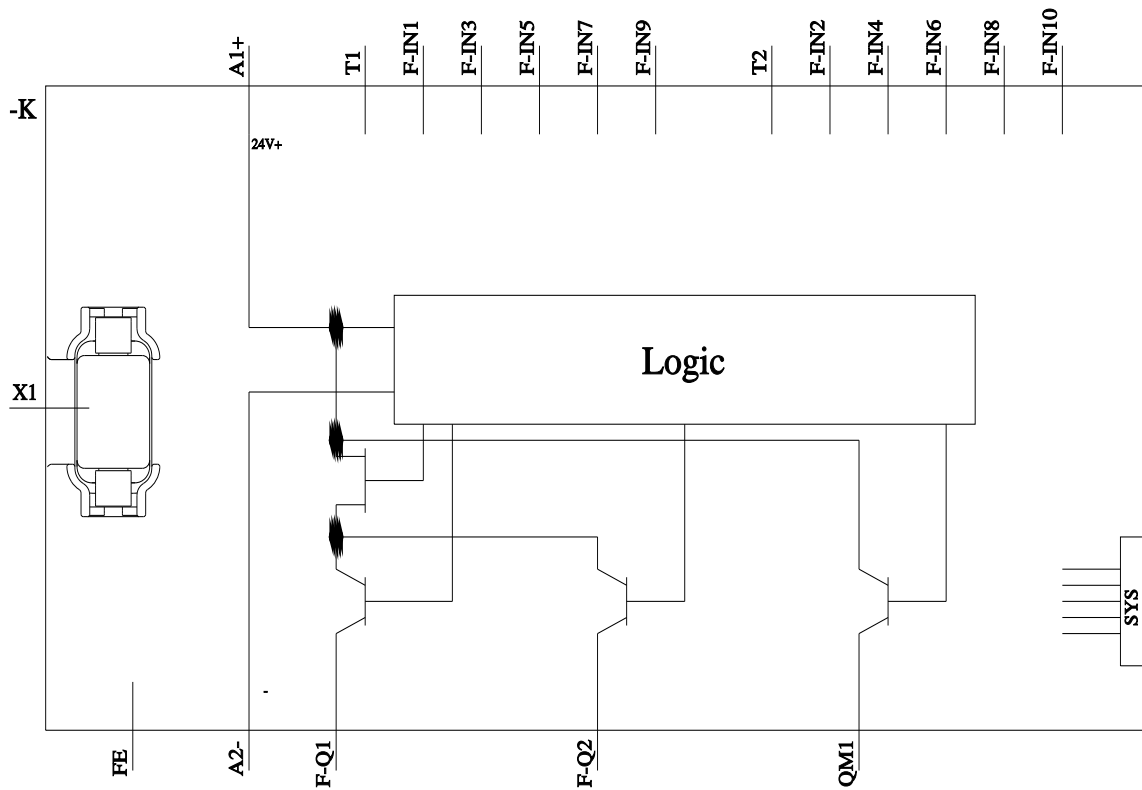
Service&Support (Manuals, Certificates, Characteristics, FAQs,...)

<https://support.industry.siemens.com/cs/ww/en/ps/3SK2112-2AA10>

Image database (product images, 2D dimension drawings, 3D models, device circuit diagrams, EPLAN macros, ...)

http://www.automation.siemens.com/bilddb/cax_de.aspx?mlfb=3SK2112-2AA10&lang=en





last modified:

3/11/2024 