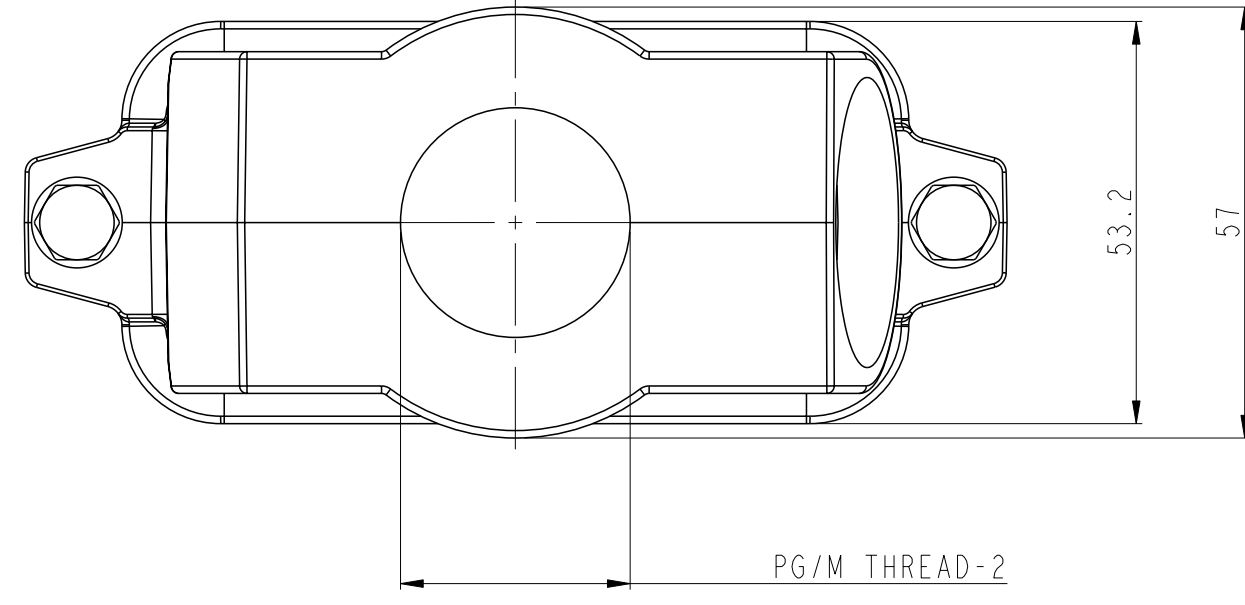


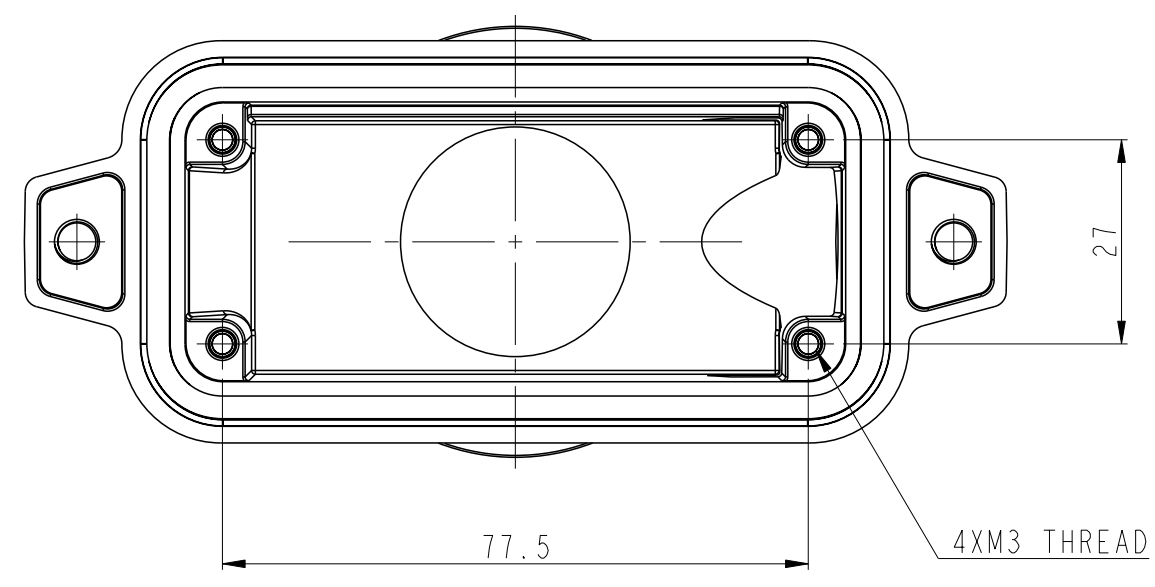
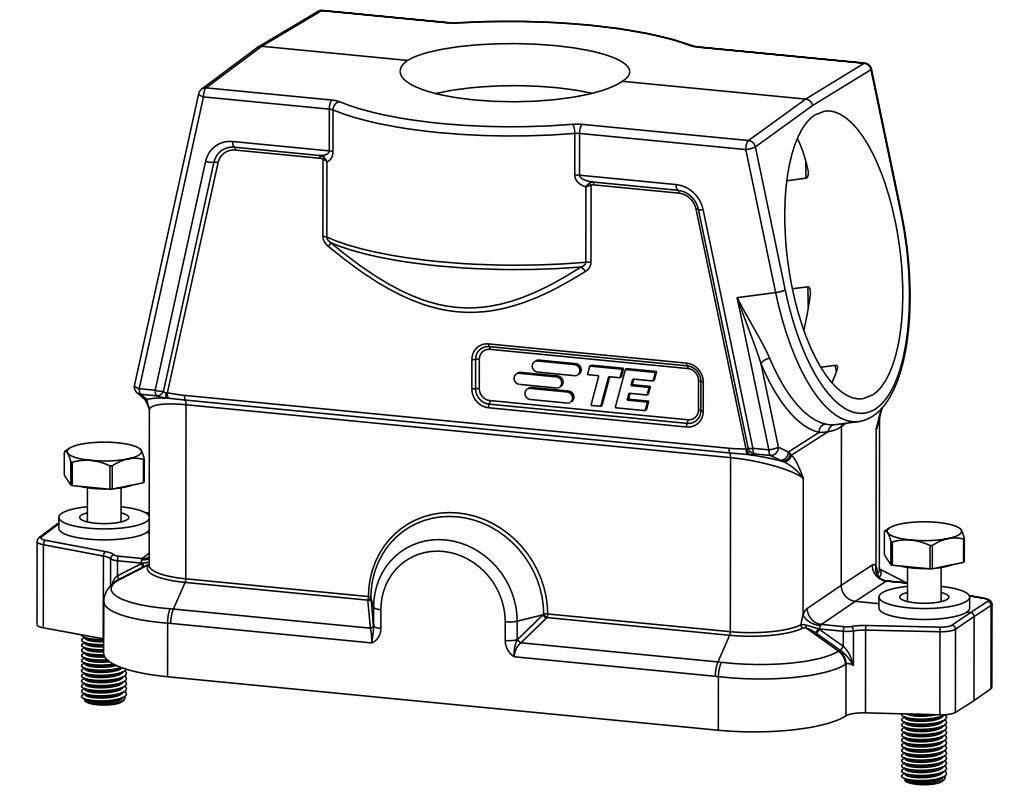
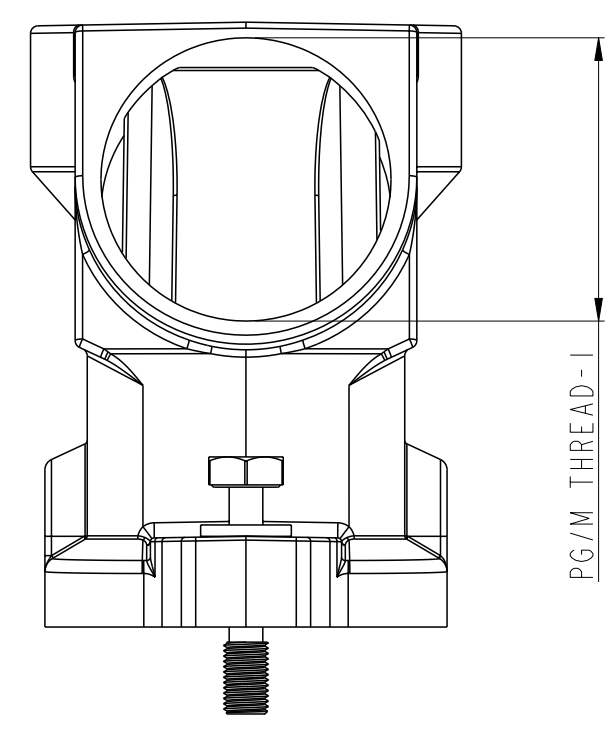
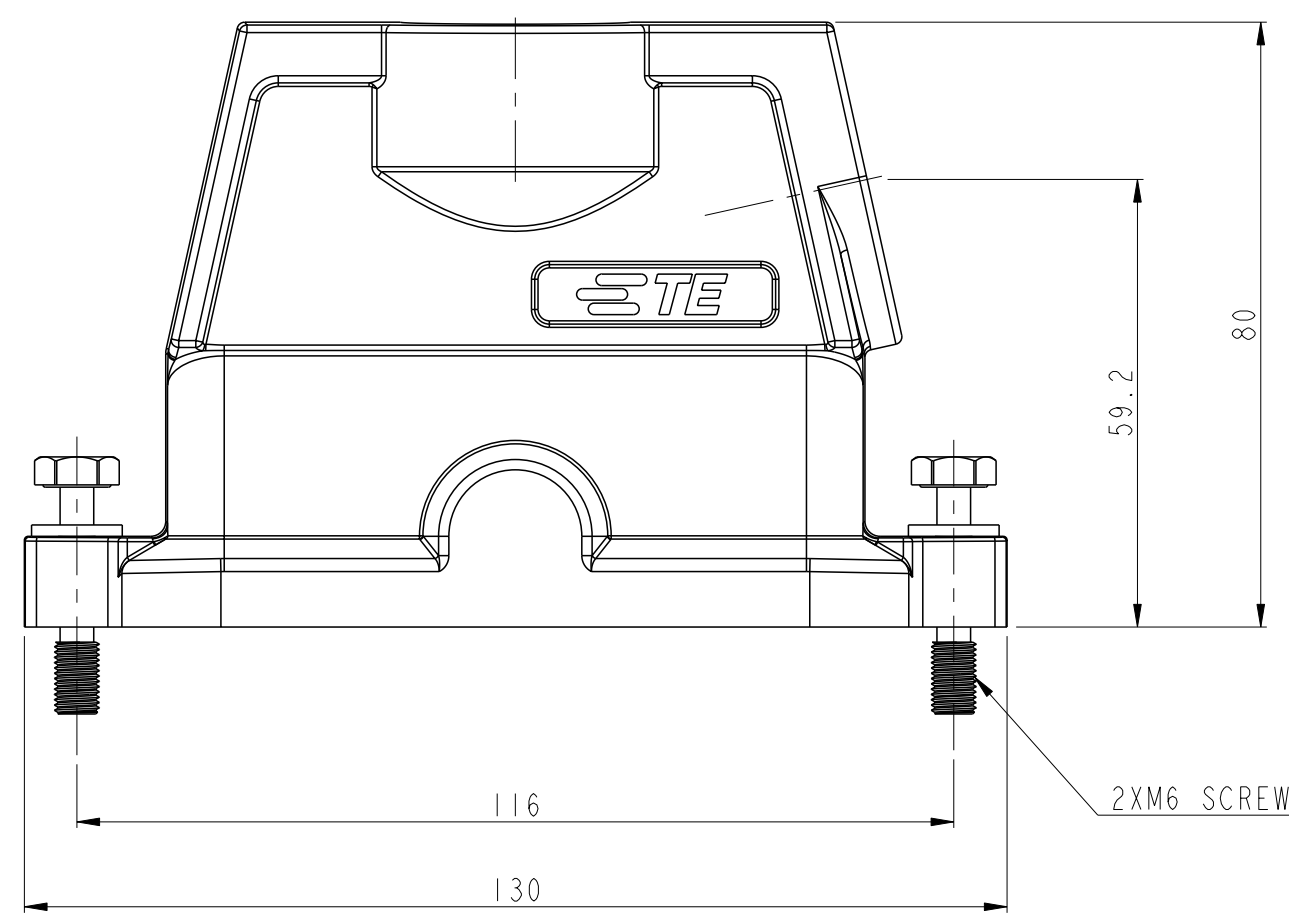
THIS DRAWING IS UNPUBLISHED. RELEASED FOR PUBLICATION 20
 © COPYRIGHT 20 BY - ALL RIGHTS RESERVED.

REVISIONS					
P	LTR	DESCRIPTION	DATE	DWN	APVD
A		INITIAL RELEASE	13JUN2015	GY	CW
AI		ECR-16-010736	26JUL2016	CH	CW



NOTES:
 1. TECHNICAL CHARACTERISTICS:
 HOOD MATERIAL: DIE CAST ALUMINIUM ALLOY
 SURFACE TREATMENT: SEE TABLE
 DEGREE OF PROTECTION: IP68 (MATED)

注释
 1. 技术参数:
 壳体材料: 铝合金
 表面处理: 见表格
 防护等级: IP68 (配合)



T1902164020-000	H16BPR-TG/SHC-M20/M40	H16BPR HOOD, CENCER LOCKING, TOP ENTRY WITH M20, SIDE ENTRY WITH M40, POWDER COATED, SILVER WHITE H16BPR中部锁定顶出M20侧出M40上壳, 银白色粉末喷涂	M20	M40
T1902164025-000	H16BPR-TG/SHC-M40/M25	H16BPR HOOD, CENCER LOCKING, TOP ENTRY WITH M40, SIDE ENTRY WITH M25, POWDER COATED, SILVER WHITE H16BPR中部锁定顶出M40侧出M25上壳, 银白色粉末喷涂	M40	M25
T1902163240-000	H16BPR-TG/SHC-M32/M40	H16BPR HOOD, CENCER LOCKING, TOP ENTRY WITH M32, SIDE ENTRY WITH M40, POWDER COATED, SILVER WHITE H16BPR中部锁定顶出M32侧出M40上壳, 银白色粉末喷涂	M32	M40
PART NUMBER 料号	PART DESCRIPTION 描述	PG/M THREAD-2 PG/M 螺纹孔-2	PG/M THREAD-1 PG/M 螺纹孔-1	

THIS DRAWING IS A CONTROLLED DOCUMENT.

DWN	GINO.YAO	13JUN2015
CHK	CHRIS.WANG	13JUN2015
APVD	XIANG.XU	13JUN2015
PRODUCT SPEC	108-137014	
APPLICATION SPEC	114-137014	
WEIGHT	-	
Customer Drawing		

STE TE Connectivity

NAME: H16BPR-TG/SHC-PG/M

SIZE	CAGE CODE	DRAWING NO	RESTRICTED TO
A2	-	G-T190216XXXXX00	-
SCALE	1:1	SHEET	OF
			REV AI

Mouser Electronics

Authorized Distributor

Click to View Pricing, Inventory, Delivery & Lifecycle Information:

[TE Connectivity:](#)

[T1902164025-000](#)