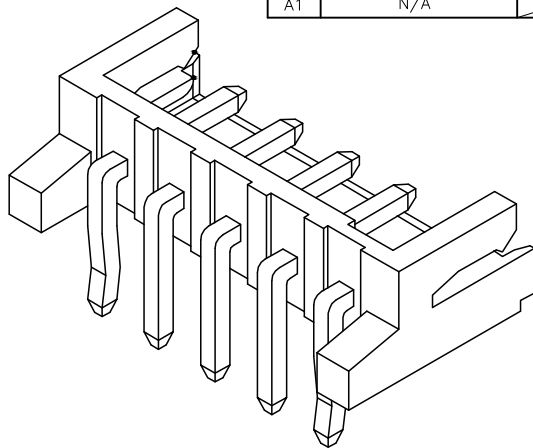
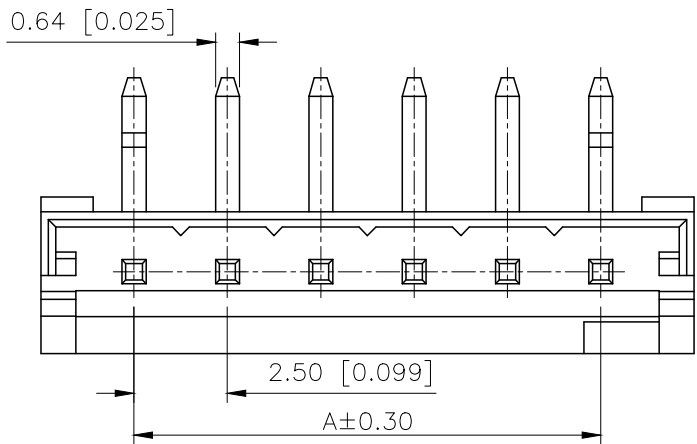


REVISIONS					
REV.	ECN NO.	LOCATION	DESCRIPTION	DATE	DESIGN
A0	N/A		INITIAL RELEASE	/	/
A1	N/A		图面升级整理图面	2024.9.13	阿树



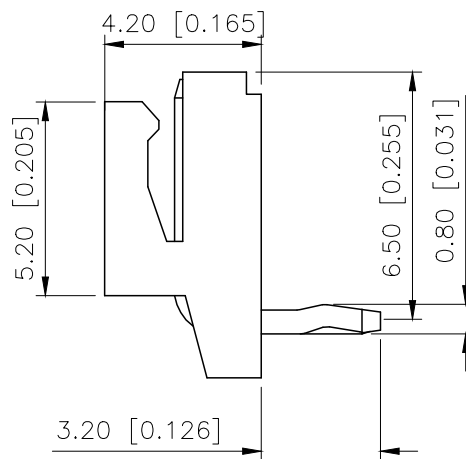
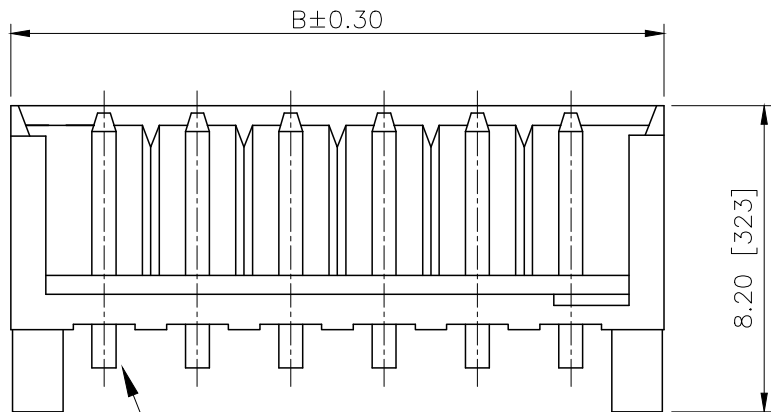
■ SPECIFICATIONS

- Voltage rating: 250V AC/DC
- Current rating: 3A AC/DC
- Withstanding Voltage: 800V AC/minute
- Temperature range: -40°C ~ +125°C
- Insulation resistance: ≥ 1000MΩ
- Contact resistance: ≤ 10mΩ
- After environmental testing: ≤ 20mΩ

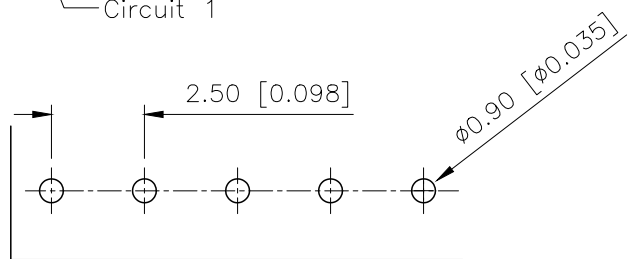
PART NO.:

X2581 W R-XX-N0 V01
 ① ② ③ ④ ⑤ ⑥

- ① Series No
- ② Category: W-Wafer
- ③ Welding Board Angle: R-Straight 90°
- ④ Row No. Pin No: XX-02~15Pin
- ⑤ Material: N0-PA66 UL94V-0
46-PA46 UL94V-0
- ⑥ Planting: V01-Gold 1u"; SN-Bright Tin Plated



Poles	Dimensions(mm)		Poles	Dimensions(mm)	
	A	B		A	B
02	2.50	7.50	09	20.00	25.00
03	5.00	10.00	10	22.50	27.50
04	7.50	12.50	11	25.00	30.00
05	10.00	15.00	12	27.50	32.50
06	12.50	17.50	13	30.00	35.00
07	15.00	20.00	14	32.50	37.50
08	17.50	22.50	15	35.00	40.00



PCB LAYOUT

X2581WR-XX-NOV01	PA66	Brass	Gold 1u"	X2581H
PART NO	Material	Material(Pin)	Finish	Suitable XKB Housing

AuGLAR	±5°
X.	±0.40
X.x	±0.30
X.xx	±0.20
X.xxx	±0.15
UNSPECIFIED TOLERANCES	



DESIGN	阿树	VIEW:	
CHECKED		UNIT:	mm/in
APPROVED		SIZE:	A4

MODEL TYPE:	2.50mm Crimp Style Connectors
PART NO.:	X2581WR-XX-NOV01
DWG NO.:	

XKB INDUSTRIAL PRECISION CO., LIMITED

SCALE	PAGE	REVISION
N/A	1/1	A1