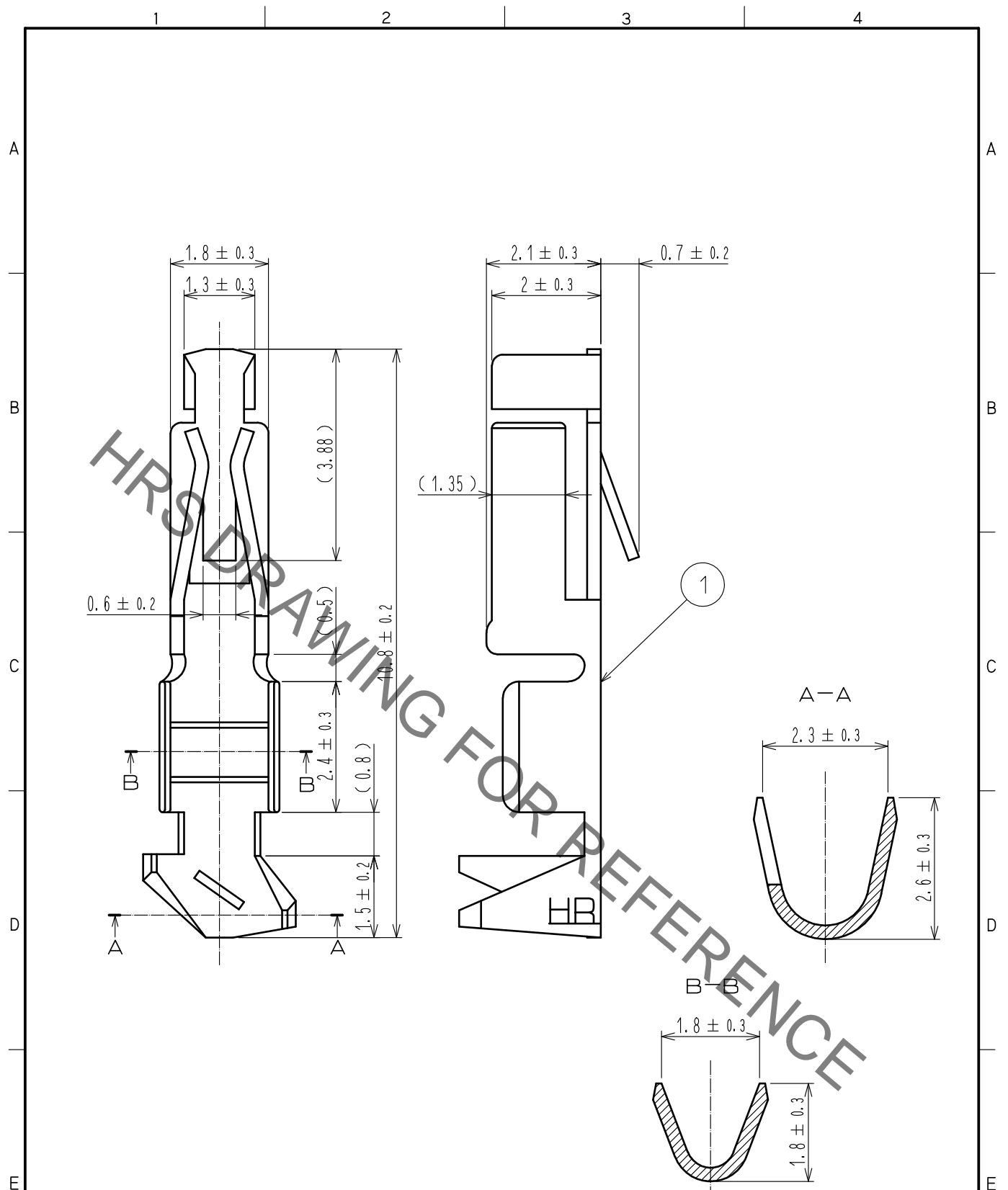


Jul.1.2019 Copyright 2019 HIROSE ELECTRIC CO., LTD. All Rights Reserved.
 In case of consideration for using Automotive equipment / device which demand high reliability, kindly contact our sales window correspondents.



Note1. Per pack : 100 pieces.

NO.		MATERIAL		FINISH . REMARKS		NO.		MATERIAL		FINISH . REMARKS	
						1		Phosphor bronze		Contact area : Gold plated 0.2μm MIN Under plating: Nickel plated 0.5μm MIN	
UNITS mm		SCALE 10: 1	COUNT 	DESCRIPTION OF REVISIONS			DESIGNED	CHECKED	DATE		
HIROSE ELECTRIC CO., LTD.		APPROVED : HS. OKAWA	20190417	DRAWING NO.			EDC-008108-02-00				
		CHECKED : SZ. ONO	20190417	PART NO.			HNC-2.5S-D-A(02)				
		DESIGNED : HK. HAYASHI	20190417	CODE NO.			CL218-0037-5-02				
		DRAWN : SK. CHIBA	20190417				1/1				

Mouser Electronics

Authorized Distributor

Click to View Pricing, Inventory, Delivery & Lifecycle Information:

[Hirose Electric:](#)

[HNC-2.5S-D-A\(02\)](#)