



ALL RIGHTS RESERVED. NO PORTION OF THIS PUBLICATION, WHETHER IN WHOLE OR IN PART, CAN BE REPRODUCED WITHOUT THE EXPRESS WRITTEN CONSENT OF SPC TECHNOLOGY.

SPC-F005.DWG

REVISIONS

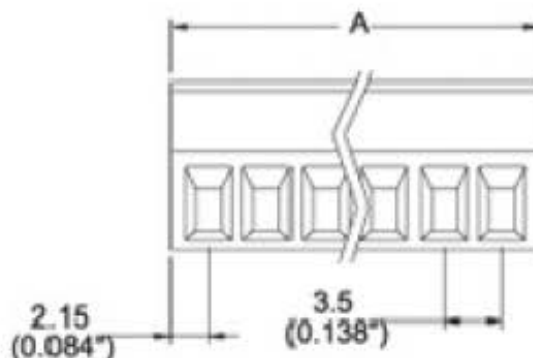
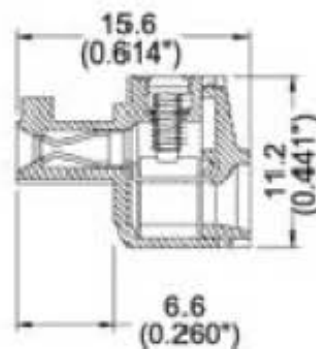
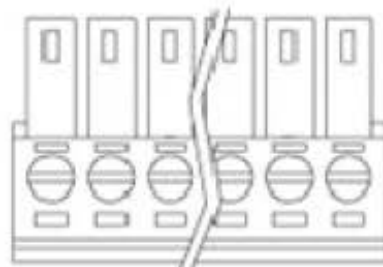
DOC. NO. SPC-F005 e Effective 7/8/09 n DCP No. 1398

DCP #	REV	DESCRIPTION	DRAWN	DATE	CHECKED	DATE	APPROVED	DATE
2075	A	RELEASED	JN	11/20/09	JN	11/20/09	JN	11/20/09



SPECIFICATIONS

- Rated Voltage: AC 300V
- Rated current: 10A
- Wire Size: 26~16 AWG
- Housing Material: Polyamide66 (UL94V-0)
- Cage Clamp: Brass, Ni Plated
- Contact: Phosphor bronze, Tin Plated
- Screw Size: M2.0, Steel, Ni Plated
- Operating Temperature: -40°C to +105°C
- Torque: 3.0 lb-inch



Mfg.	No. Pins	A (mm)	A (Inch)
MC420-35002	2	7.8	0.307
MC420-35004	4	14.8	0.583
MC420-35006	6	21.8	0.858
MC420-35009	9	32.3	1.272
MC420-35010	10	35.8	1.409
MC420-35011	11	39.3	1.547
MC420-35012	12	42.8	1.685
MC420-35016	16	56.8	2.236

DISCLAIMER:
ALL STATEMENTS AND TECHNICAL INFORMATION CONTAINED HEREIN ARE BASED UPON INFORMATION AND/OR TESTS WE BELIEVE TO BE ACCURATE AND RELIABLE. SINCE CONDITIONS OF USE ARE BEYOND OUR CONTROL, THE USER SHALL DETERMINE THE SUITABILITY OF THE PRODUCT FOR THE INTENDED USE AND ASSUME ALL RISK AND LIABILITY WHATSOEVER IN CONNECTION THEREWITH.

TOLERANCES:
UNLESS OTHERWISE SPECIFIED, DIMENSIONS ARE FOR REFERENCE PURPOSES ONLY.

DRAWN BY:	DATE:
Jason Nash	11/20/09
CHECKED BY:	DATE:
Jason Nash	11/20/09
APPROVED BY:	DATE:
Jason Nash	11/20/09

DRAWING TITLE:			
Terminal Block			
SIZE:	DWG. NO.	ELECTRONIC FILE	REV
A	Ta-1212	Ta-1212.dwg	A
SCALE: NTS	U.O.M.: INCHES [mm]	SHEET: 1 OF 1	