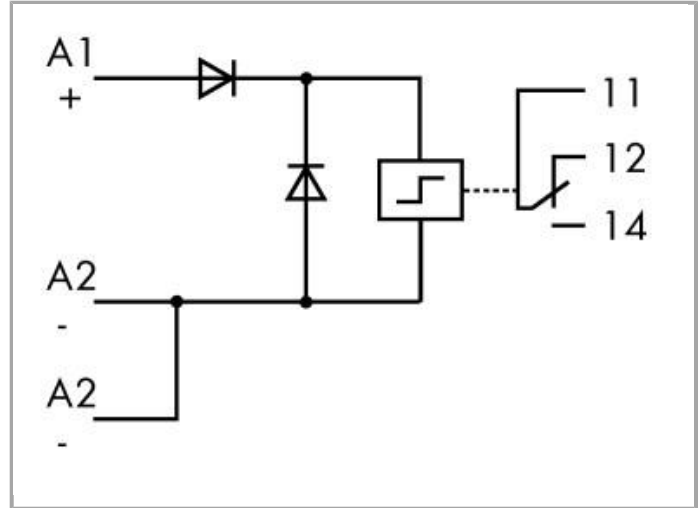
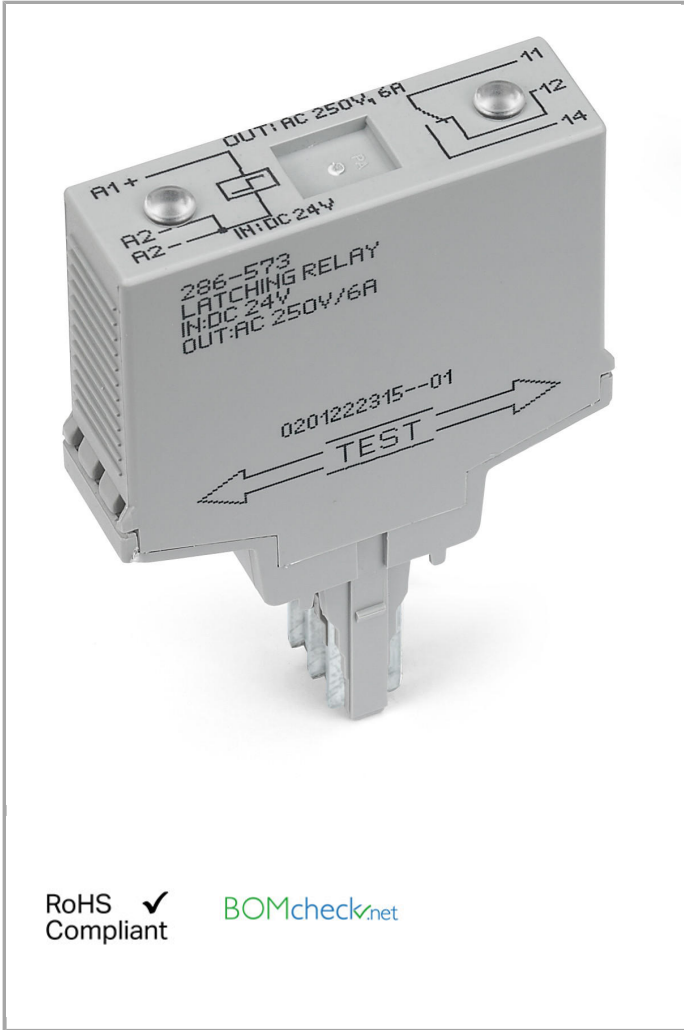


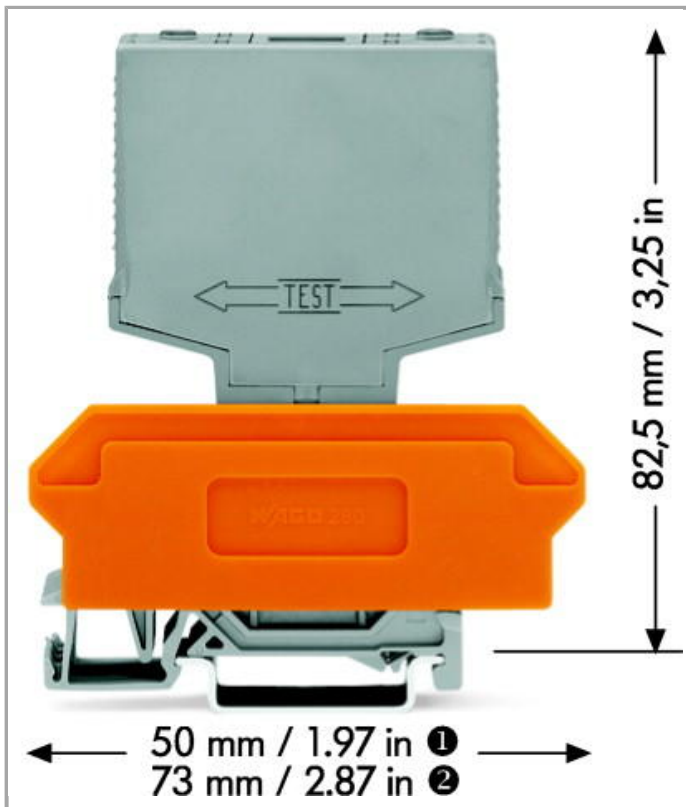
Data sheet | Item number: 286-573

Latching relay module; Nominal input voltage: 24 VDC; 1 changeover contact; Limiting continuous current: 6 A; Red status indicator; Module width: 17 mm



[www.wago.com/286-573](http://www.wago.com/286-573)





## Data

## Technical Data

## Control circuit

Nominal input voltage $U_N$	24 VDC
Input voltage range	-15 ... +10 %
Nominal input current at $U_N$	40 mA

## Load circuit:

Number of changeover/switchover contacts	1
Contact material (relay)	AgSnO <sub>2</sub>
Limiting continuous current	6 A
Max. make current (resistive)	0.02 s 50 A (AC)
Max. switching voltage	250 VAC
Max. switching power (resistive)	1500 VAAC
Recommended minimum load	10 V / 10 mA
Mechanical life (N.O.; resistive load; 23 °C)	10 x 10 <sup>6</sup> switching operations



### Safety and protection:

Rated voltage	250 V
Rated impulse voltage	4 kV
Pollution degree	2
Dielectric strength, control/load circuit (AC, 1 min)	4 kV <sub>rms</sub>
Dielectric strength, control/load circuit (AC, 1 min)	4 kV <sub>rms</sub>
Dielectric strength open contact (AC, 1 min)	1.5 kV <sub>rms</sub>
Dielectric strength open contact (AC, 1 min)	1.5 kV <sub>rms</sub>
Degree of protection	IP20

### Geometrical Data

Width	17 mm / 0.669 inch
Height from upper-edge of DIN-35 rail	82.5 mm / 3.248 inch
Depth	52 mm / 1.654 inch

### Mechanical data

Type of mounting	Pluggable module for carrier terminal blocks
------------------	--

### Material Data

Color	gray
Fire load	0.557 MJ
Weight	29.005 g

### Environmental Requirements

Surrounding air (operating) temperature at U <sub>N</sub>	-25 ... 50 °C
Surrounding air (storage) temperature	-40 ... 70 °C
Pollution degree	2

### Standards and specifications

Standards/specifications	EN 60664-1
--------------------------	------------

### Commercial data

Country of origin	DE
GTIN	4050821485285
Product Group	6 (Interface Electronics)



## Compatible products

### Marking accessories

	<b>Item no.: 209-701</b> WSB marking card; as card; not stretchable; plain; snap-on type	<a href="http://www.wago.com/209-701">www.wago.com/209-701</a>
	<b>Item no.: 209-701/000-002</b> WSB marking card; as card; not stretchable; plain; snap-on type	<a href="http://www.wago.com/209-701/000-002">www.wago.com/209-701/000-002</a>
	<b>Item no.: 209-701/000-005</b> WSB marking card; as card; not stretchable; plain; snap-on type	<a href="http://www.wago.com/209-701/000-005">www.wago.com/209-701/000-005</a>
	<b>Item no.: 209-701/000-006</b> WSB marking card; as card; not stretchable; plain; snap-on type	<a href="http://www.wago.com/209-701/000-006">www.wago.com/209-701/000-006</a>
	<b>Item no.: 209-701/000-007</b> WSB marking card; as card; not stretchable; plain; snap-on type	<a href="http://www.wago.com/209-701/000-007">www.wago.com/209-701/000-007</a>
	<b>Item no.: 209-701/000-012</b> WSB marking card; as card; not stretchable; plain; snap-on type	<a href="http://www.wago.com/209-701/000-012">www.wago.com/209-701/000-012</a>
	<b>Item no.: 209-701/000-017</b> WSB marking card; as card; not stretchable; plain; snap-on type	<a href="http://www.wago.com/209-701/000-017">www.wago.com/209-701/000-017</a>
	<b>Item no.: 209-701/000-023</b> WSB marking card; as card; not stretchable; plain; snap-on type	<a href="http://www.wago.com/209-701/000-023">www.wago.com/209-701/000-023</a>
	<b>Item no.: 209-701/000-024</b> WSB marking card; as card; not stretchable; plain; snap-on type	<a href="http://www.wago.com/209-701/000-024">www.wago.com/209-701/000-024</a>

## Downloads

### Documentation

#### Additional Information

Disposal; Electrical and electronic equipment, Packaging	Oct 15, 2018	Download
		265.8 kB

Subject to changes.

WAGO Corporation  
 Germantown, WI 53022  
 Phone: 1-800-DIN-RAIL (346-7245) | Fax: (262) 255-6222  
 Email: [info.us@wago.com](mailto:info.us@wago.com) | Web: [www.wago.com](http://www.wago.com)

Do you have any questions about our products?  
 We are always happy to take your call at {0}.