

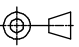


CODE 40 - TINEL-LOCK BACKSHELL

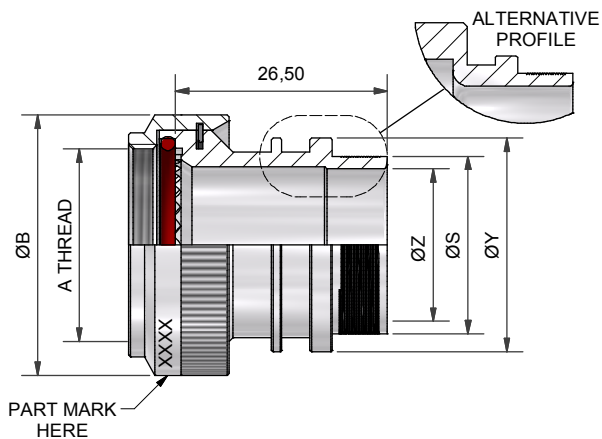
TXR40AB00-1608AI-S

SERIES _____
 TXR: RING INCLUDED
 (SEE RING OPTION)
 TX: RING NOT INCLUDED
 CONNECTOR INTERFACE _____
 MATERIAL _____
 REFER TO CH00-0250-008
 FINISH _____
 REFER TO CH00-0250-008
 ANGLE _____
 DASH NUMBER (TABLE 1) _____
 ENTRY SIZE (TABLE 2) _____
 RING OPTION _____
 AI - TO SUIT SINGLE BRAID
 BI - TO SUIT DOUBLE BRAID
 FOR TX, LEAVE BLANK
 MODIFICATION CODE _____
 REFER TO CH00-0250-008 (2)

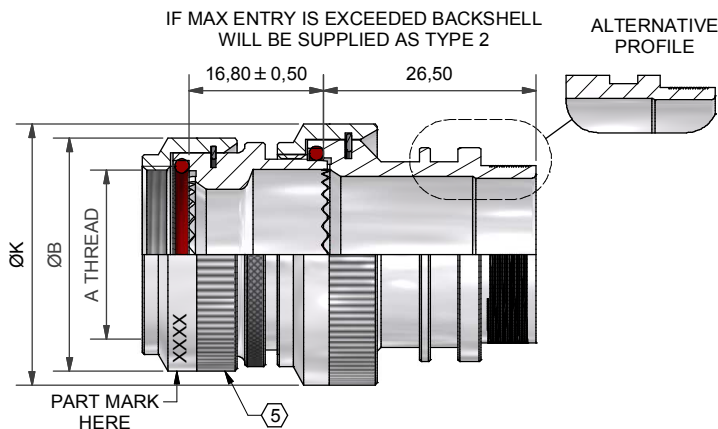
NOTES:

1. THIS PRODUCT IS DESIGNED TO TERMINATE A BRAIDED CABLE SHIELD AND A HEAT SHRINKABLE LIPPED BOOT TO A CONNECTOR.
- (2) FOR ADDITIONAL DIMENSIONS, ORDERING INFORMATION AND MODIFICATIONS, SEE CH00-0250-008.
- (3) SEE DRAWING TR FOR DETAIL ON TINEL-LOCK RING, RINGS ARE DESIGNED TO BE HEATED ELECTRICALLY, ALL RINGS ARE MARKED WITH THERMOCHROMIC PAINT WHICH CHANGES COLOUR WHEN INSTALLATION TEMPERATURE IS REACHED.
4. BACKSHELL TO BE PERMANENTLY MARKED/BAGGED AND LABELLED WITH CODE IDENTIFICATION NUMBER AND PART NUMBER LESS RING DESIGNATOR. (e.g. 06090-TXR40AB00-1206). RING SHALL BEAR NO MARKING.
- (5) FOR LARGER ENTRY SIZES, A 2 PIECE BACKSHELL ASSEMBLY (TYPE 2) IS SUPPLIED.
6. BACKSHELL MATES TO MIL-DTL-38999, SERIES III AND IV, CLASS C, F, K, AND W, D38999/20, /24, /26, /40, /46 AND /47 CONNECTORS, AND WHEN SO MATED SHALL PROVIDE A WATER-TIGHT SEAL MEETING THE REQUIREMENTS OF MIL-C-85049, PARA. 3. 5. 7.
- (7) THESE DIMENSIONS APPLY IF A SELF-LOCKING COUPLING NUT IS USED.

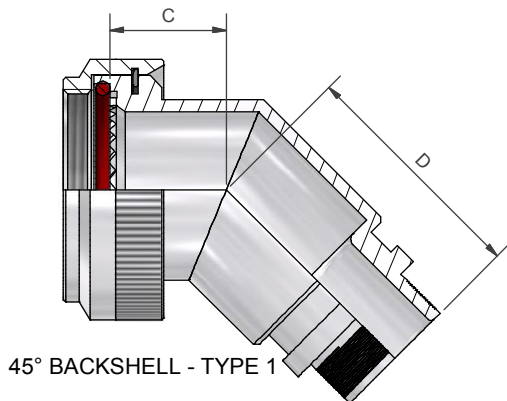
DRAWN	K.WINCZURA	DATE 04/12/2014	 3RD ANGLE PROJECTION NOT TO SCALE UNLESS OTHERWISE SPECIFIED ALL DIMENSIONS IN MILLIMETRES GENERAL TOL LINEAR +/-0.25MM ANGULAR +/- 1°	TITLE:	TINEL-LOCK BACKSHELL	 Polamco 	
CHECKED		04/12/2014		ASSY USED ON:			MIL-DTL-38999 SERIES III & IV
APPROVED	K.SHEPPARD	04/12/2014					
APPROVED	H.SMITH	15/06/2015					
REVISIONS							
LTR	DESCRIPTION	DATE	APPROVED				
K	REVISED PER ECO-15-002200	11.02.15	H.SMITH				
L	REVISED PER ECO-17-009011	21.06.17	D.JONES				
TE CAGE CODE: 06090 POLAMCO/TE CAGE CODE: U5792				TE CONNECTIVITY - POLAMCO LTD RESERVES THE RIGHT TO AMEND THIS DRAWING AND THE INFORMATION SET FORTH HEREON AT ANY TIME. USERS SHOULD INDEPENDENTLY EVALUATE THE SUITABILITY OF THE PRODUCT FOR THEIR APPLICATION.	DRAWING NO: TXR40	DRAWING REV: L	SHT 1



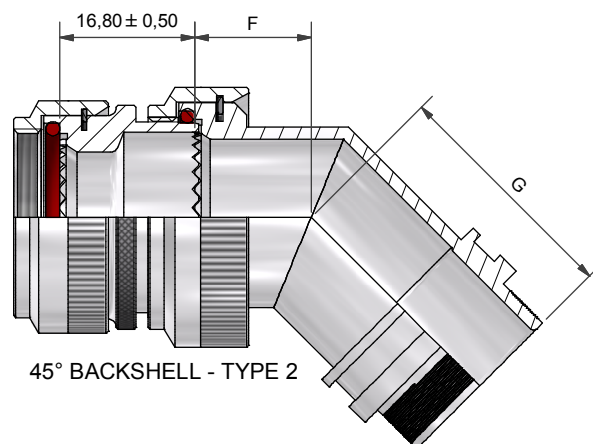
STRAIGHT BACKSHELL - TYPE 1



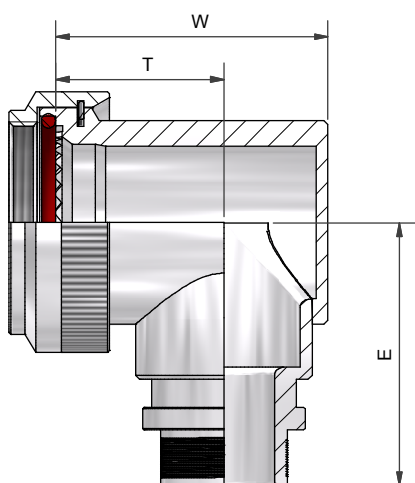
STRAIGHT BACKSHELL - TYPE 2



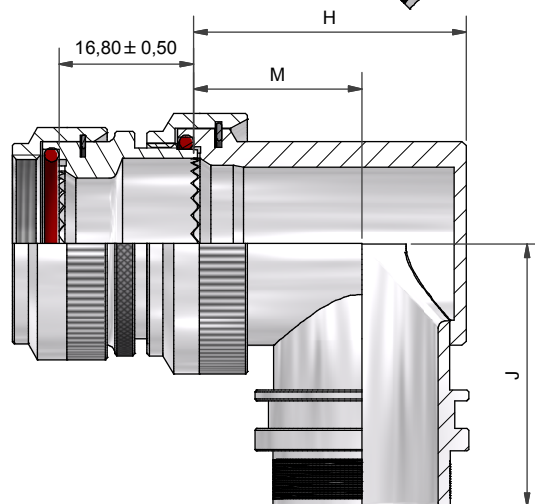
45° BACKSHELL - TYPE 1



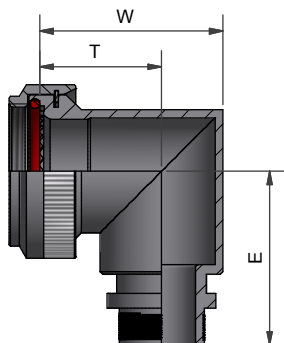
45° BACKSHELL - TYPE 2



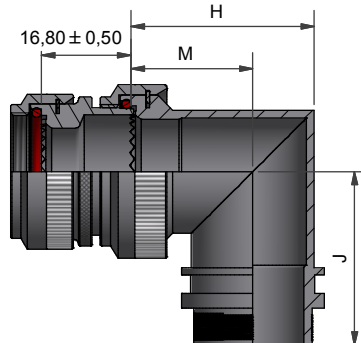
90° BACKSHELL - TYPE 1



90° BACKSHELL - TYPE 2



90° BACKSHELL - TYPE 1
STAINLESS STEEL AND
NICKEL ALUMINIUM BRONZE



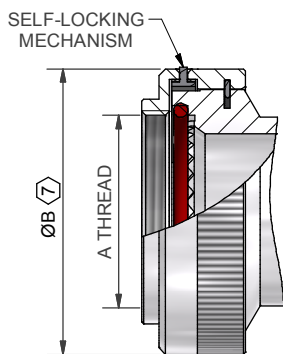
90° BACKSHELL - TYPE 2
STAINLESS STEEL AND
NICKEL ALUMINIUM BRONZE

DRAWN	K.WINCZURA	DATE	04/12/2014	 UNLESS OTHERWISE SPECIFIED ALL DIMENSIONS IN MILLIMETRES GENERAL TOL LINEAR +/-0.25MM ANGULAR +/- 1°
CHECKED		DATE	04/12/2014	
APPROVED	K.SHEPPARD	DATE	04/12/2014	
APPROVED	H.SMITH	DATE	15/06/2015	
REVISIONS				
LTR	DESCRIPTION	DATE	APPROVED	
K	REVISED PER ECO-15-002200	11.02.15	H.SMITH	
L	REVISED PER ECO-17-009011	21.06.17	D.JONES	

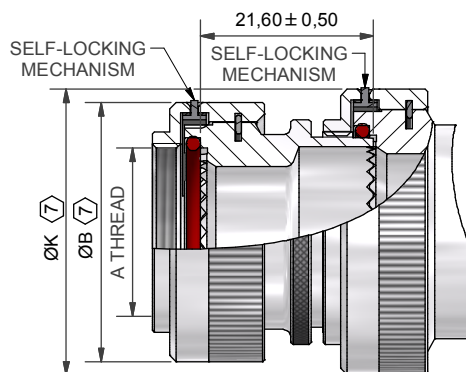
TITLE:	TINEL-LOCK BACKSHELL		
ASSY USED ON:	MIL-DTL-38999 SERIES III & IV		

Polamco
TE connectivity

MODIFICATION S (SELF-LOCKING COUPLING NUT)



BACKSHELL - TYPE 1



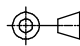
BACKSHELL - TYPE 2

TABLE 1

ORDER NO.	SHELL SIZE COM'L / MIL	A THREAD	ØB MAX	ØB MAX $\langle 7 \rangle$	MAX ENTRY	C	D	W	T	E	THESE DIMENSIONS APPLY IF BACKSHELL IS STAINLESS STEEL OR NICKEL ALUMINIUM BRONZE			
											W	T	E	
08	9 / A	M12 × 1.0	18,0	21,5	04	±0,5	±0,5	±0,5	±0,5	±0,5	±0,5	±0,5	±0,5	±0,5
10	11 / B	M15 × 1.0	21,0	24,6	07	±0,5	±0,5	±0,5	±0,5	±0,5	±0,5	±0,5	±0,5	±0,5
12	13 / C	M18 × 1.0	24,5	28,3	08	±0,5	±0,5	±0,5	±0,5	±0,5	±0,5	±0,5	±0,5	±0,5
14	15 / D	M22 × 1.0	29,0	32,4	10	±0,5	±0,5	±0,5	±0,5	±0,5	±0,5	±0,5	±0,5	±0,5
16	17 / E	M25 × 1.0	32,5	35,6	12	±0,5	±0,5	±0,5	±0,5	±0,5	±0,5	±0,5	±0,5	±0,5
18	19 / F	M28 × 1.0	35,5	38,5	14	±0,5	±0,5	±0,5	±0,5	±0,5	±0,5	±0,5	±0,5	±0,5
20	21 / G	M31 × 1.0	37,0	41,7	16	±0,5	±0,5	±0,5	±0,5	±0,5	±0,5	±0,5	±0,5	±0,5
22	23 / H	M34 × 1.0	40,0	43,9	18	±0,5	±0,5	±0,5	±0,5	±0,5	±0,5	±0,5	±0,5	±0,5
24	25 / J	M37 × 1.0	43,5	47,0	20	±0,5	±0,5	±0,5	±0,5	±0,5	±0,5	±0,5	±0,5	±0,5

TABLE 2

ENTRY SIZE	ØZ MIN	ØS	ØY ± 0,3	ØK MAX	ØK MAX $\langle 7 \rangle$	F	G	H	M	J	THESE DIMENSIONS APPLY IF BACKSHELL IS STAINLESS STEEL OR NICKEL ALUMINIUM BRONZE			
											H	M	J	
04	6,35	9,49 +/-0,04	14,00	NA	NA	±0,5	±0,5	±0,5	±0,5	±0,5	±0,5	±0,5	±0,5	±0,5
05	7,92	11,06 +/-0,04	15,50	21,0	24,6	±0,5	±0,5	±0,5	±0,5	±0,5	±0,5	±0,5	±0,5	±0,5
06	9,53	12,66 +/-0,04	17,10	21,0	24,6	±0,5	±0,5	±0,5	±0,5	±0,5	±0,5	±0,5	±0,5	±0,5
07	11,10	14,21 +/-0,07	18,70	21,0	24,6	±0,5	±0,5	±0,5	±0,5	±0,5	±0,5	±0,5	±0,5	±0,5
08	12,70	15,81 +/-0,07	20,30	24,5	28,3	±0,5	±0,5	±0,5	±0,5	±0,5	±0,5	±0,5	±0,5	±0,5
10	15,88	18,96 +/-0,08	23,50	29,0	32,4	±0,5	±0,5	±0,5	±0,5	±0,5	±0,5	±0,5	±0,5	±0,5
12	19,05	22,14 +/-0,08	26,70	32,5	35,6	±0,5	±0,5	±0,5	±0,5	±0,5	±0,5	±0,5	±0,5	±0,5
14	22,23	25,30 +/-0,08	29,80	35,5	38,5	±0,5	±0,5	±0,5	±0,5	±0,5	±0,5	±0,5	±0,5	±0,5
16	25,40	28,48 +/-0,08	33,00	37,0	41,7	±0,5	±0,5	±0,5	±0,5	±0,5	±0,5	±0,5	±0,5	±0,5
18	28,58	31,65 +/-0,08	36,20	40,0	43,9	±0,5	±0,5	±0,5	±0,5	±0,5	±0,5	±0,5	±0,5	±0,5
20	31,75	34,83 +/-0,08	39,40	43,5	47,0	±0,5	±0,5	±0,5	±0,5	±0,5	±0,5	±0,5	±0,5	±0,5
22	34,93	37,98 +/-0,08	42,50	48,5	50,0	±0,5	±0,5	±0,5	±0,5	±0,5	±0,5	±0,5	±0,5	±0,5
24	38,10	41,15 +/-0,08	45,70	52,1	56,0	±0,5	±0,5	±0,5	±0,5	±0,5	±0,5	±0,5	±0,5	±0,5

DRAWN	K.WINCZURA	DATE	04/12/2014	 3RD ANGLE PROJECTION NOT TO SCALE
CHECKED		DATE	04/12/2014	
APPROVED	K.SHEPPARD	DATE	04/12/2014	
APPROVED	H.SMITH	DATE	15/06/2015	
REVISIONS				
LTR	DESCRIPTION	DATE	APPROVED	
K	REVISED PER ECO-15-002200	11.02.15	H.SMITH	
L	REVISED PER ECO-17-009011	21.06.17	D.JONES	

TITLE:	TINEL-LOCK BACKSHELL		
ASSY USED ON:	MIL-DTL-38999 SERIES III & IV		



TE CAGE CODE: 06090
POLAMCO/TE CAGE CODE: U5792
Downloaded from Arrow.com

TE CONNECTIVITY - POLAMCO LTD RESERVES THE RIGHT TO AMEND THIS DRAWING AND THE INFORMATION SET FORTH HEREON AT ANY TIME. USERS SHOULD INDEPENDENTLY EVALUATE THE SUITABILITY OF THE PRODUCT FOR THEIR APPLICATION.

DRAWING NO:	DRAWING REV:	SHT
TXR40	L	3