

SIGN	DATE	DESCRIPTION	APPROVER
△	2/07'06	Wire range changed from 22-14 AWG to 22-12 AWG	Tony
△	2/07'06	Part No. changed	Tony
△	7/11'06	Dimesion changed from 5.7 to 4.2	Tony
△	2006.08.3	Screw torque value changed from 10.4Lb-in to 12Lb-in	梁仁松
△	2006.08.3	Approval changed	梁仁松
△	3/27'09	Structure changed	JODY
△	3/27'09	Temperature changed from -40~105°C to -40~115°C	JODY
△	11/13'12	Change the screw plating specification	Jacky
△	11/13'12	Change the dimensional tolerance	Jacky

THIS IS CAD DRAWING, DO NOT REVISE MANUALLY!!!

MATERIALS ELECTRICAL

RATED VOLTAGE & CURRENT: 300 V, 20 A
 WITHSTAND VOLTAGE: AC 2000 V/Min
 INSULATION RESISTANCE: 1000 MΩ OR MORE AT DC 500 V
 OPERATING TEMPERATURE RANG: △ -40 °C ~ +115 °C
 △ SCREW TORQUE VALUE: 12Lb-in.
 △ WIRE RANGE: 22 - 12 AWG
 1) MOLDED PARTS: POLYIMIDE 66, UL 94 V-0 BLACK
 2) TERMINAL: BRASS, 0.8t, Tin PLATED
 3) TERMINAL SCREWS: STEEL, M3.5
 △ 4) COVER MATERIAL: PC

△ APPROVAL:  us

Critical dimension: ▽

△ PART NO.: YK 604 xx 2 x x 00G

NO. OF POLES
 04: 4 POLES
 05: 5 POLES
 06: 6 POLES
 ⋮
 30: 30 POLES

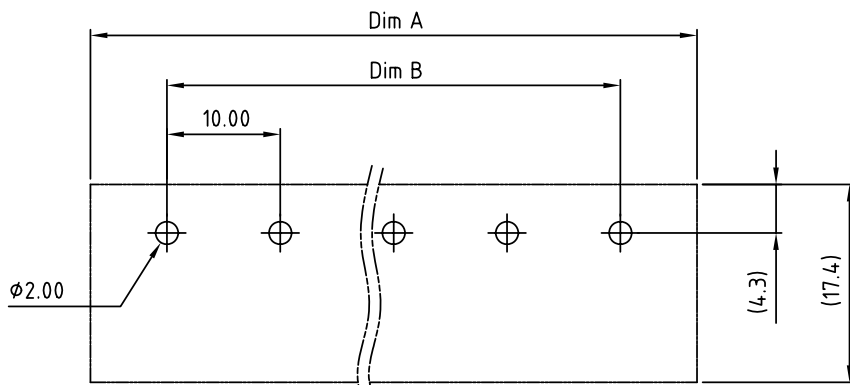
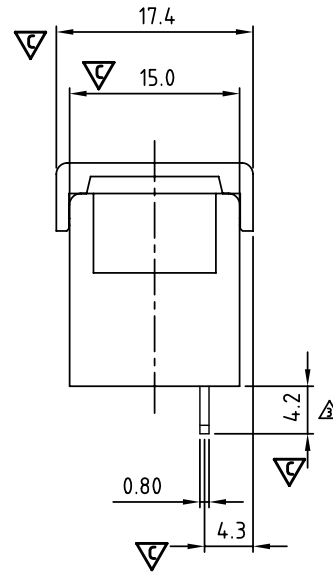
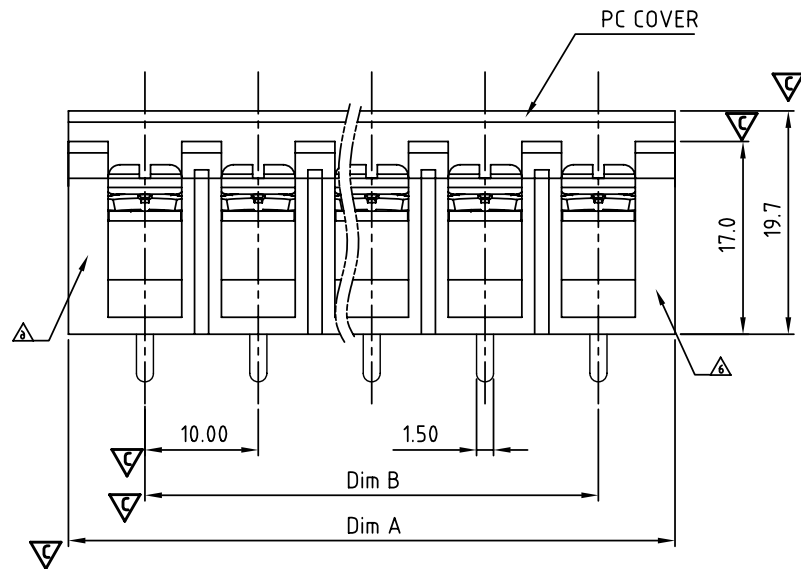
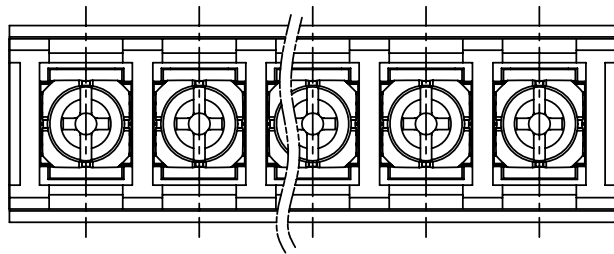
G:RoHS compliant(lead<4%)
 in copper alloy

MARK

0: "@" MARK
 1: "ANY" MARK

TERMINAL & SCREW PLATED

0: TERMINAL & SCREW: G/F
 △ 1: TERMINAL: G/F, SCREW: Zinc
 2: TERMINAL: Sn, SCREW: G/F
 △ 3: TERMINAL: Sn, SCREW: Zinc



P.C.B LAYOUT

N=Number of contacts
 Dimension A&B

DIM A	N×10+3.5
DIM B	(N-1)×10

Poles	Tolerance
4p-10p	±0.40
11p-20p	±0.60
21p-30p	±0.80

ANYTEK

CUSTOMER COPY

ALL RIGHTS RESERVED. REPRODUCTION OR ISSUE TO THIRD PARTIES IN ANY FORM WHATEVER IS NOT PERMITTED WITHOUT WRITTEN AUTHORITY FROM THE PROPRIETOR. PROPERTY OF ANYTEK TECHNOLOGY CO., LTD

TITLE		YK-604 Without Flange&With Cover Series(4P-30P)				
PART NO.		YK604xx2xx00G		DWG NO.		8YK0001-604
APPROVED	CHECKED	DESIGNED	DRAWN	CUST NO.		Tolerance
		Jacky 2012.11.13	Jacky 2012.11.13			X. ±0.50
				UNIT: mm		X.X ±0.30
				SCALE: NONE		X.XX ±0.10
				SHEET: 01/01		X° ±1°
				REV.: G		

Mouser Electronics

Authorized Distributor

Click to View Pricing, Inventory, Delivery & Lifecycle Information:

Amphenol:

[YK6040223000G](#) [YK6040323000G](#) [YK6040423000G](#) [YK6040523000G](#) [YK6040623000G](#) [YK6040723000G](#)
[YK6040823000G](#) [YK6040923000G](#) [YK6041023000G](#) [YK6041123000G](#) [YK6041223000G](#) [YK6041323000G](#)
[YK6041423000G](#) [YK6041523000G](#) [YK6041623000G](#) [YK6041723000G](#) [YK6041823000G](#) [YK6041923000G](#)
[YK6042023000G](#) [YK6042123000G](#) [YK6042223000G](#) [YK6042323000G](#) [YK6042423000G](#) [YK6042523000G](#)
[YK6042623000G](#) [YK6042723000G](#) [YK6042823000G](#) [YK6042923000G](#) [YK6043023000G](#)