



292-J-P-HP-ST-CM2



50 Ω 2.92 JACK

SPECIFICATIONS

For complete specifications and assembly instructions see www.samtec.com?292-CM

Shell Material:

Stainless Steel

Insert:

Stainless Steel

Socket:

BeCu

Insulator Material:

PCTFE

Impedance:

50 Ω

Frequency Range:

Testing Now!

V.S.W.R.:

Testing Now!

Working Voltage:

Testing Now!

Dielectric Withstanding:

Testing Now!

Contact Resistance:

Testing Now!

Operating Temperature:

Testing Now!

RoHS Compliant:

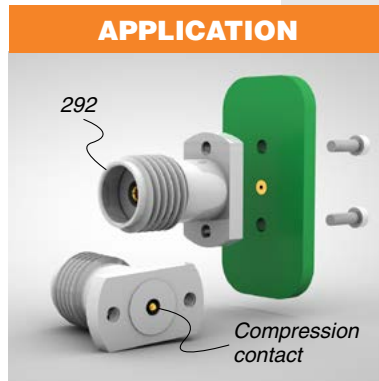
Yes

Lead-Free Solderable:

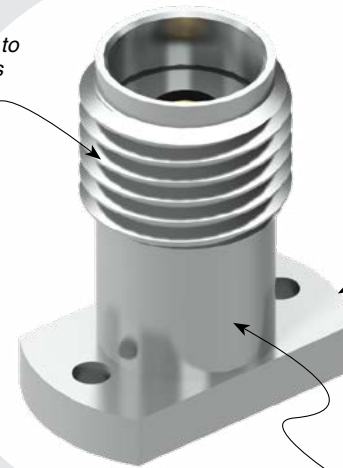
Yes

Mates with:
RF23S, BE25S

APPLICATION



Performance up to
40 GHz/80 Gbps



Compression
Mount

Passivated Stainless Steel
outer contact and shell

TYPE	GENDER	TYPE	PLATING	ORIENTATION	TERMINATION
292 = Passivated Stainless Steel	-J = Jack	-P = PCB Mount	-HP = 30 μ" (0.76 μm) Gold center contact, Passivated outer contact	-ST = Straight	-CM2 = Compression Mount

