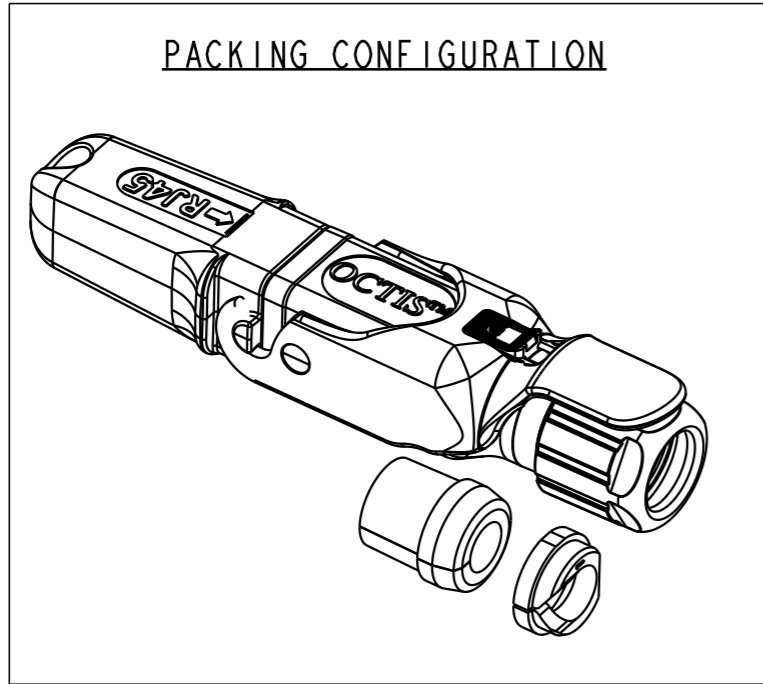
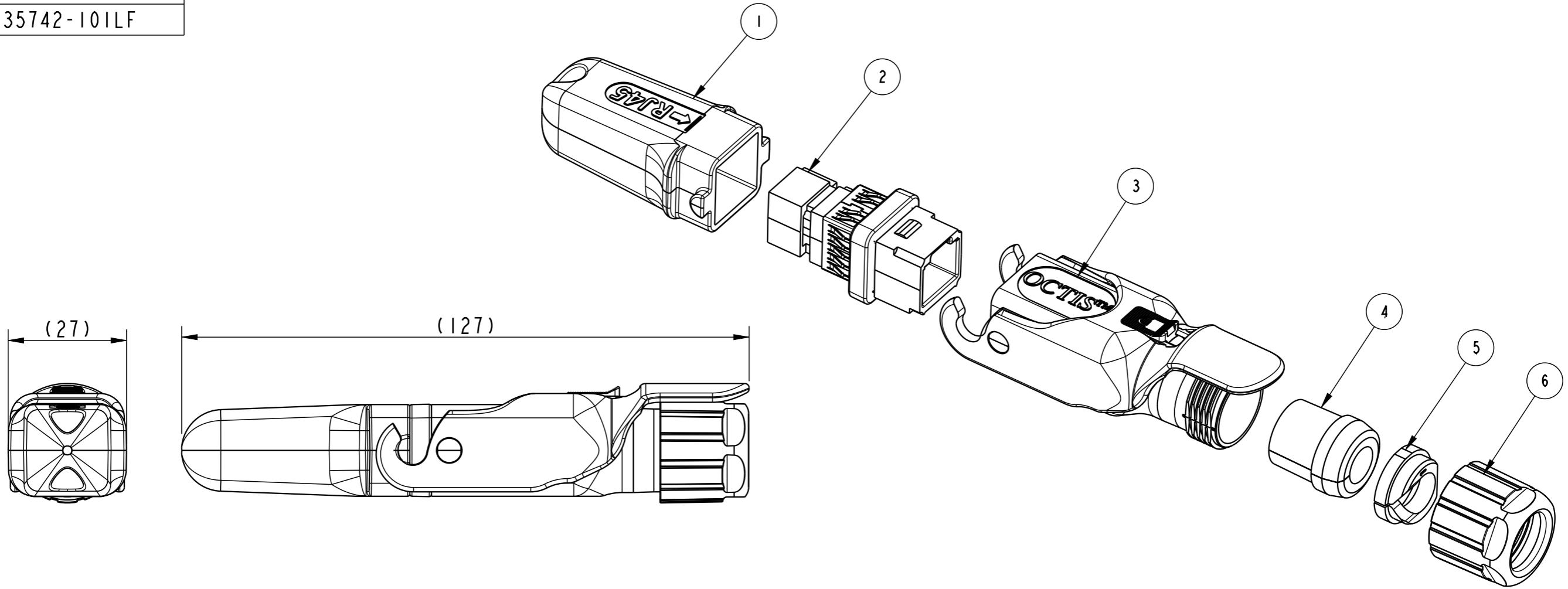


PLUG KIT PART NUMBER
10135742-101LF

OCTIS PLUG KIT- RJ45 CODE R FIELD TERMINABLE PITCH 26MM



SL NO.	COMPONENT	MATERIAL	REMARKS
1	PLUG CAP	PBT GF	-
2	HOLDER SUBSET KIT	ZAMAK+SS+SILICONE	PASSIVATED
3	HOUSING SUBSET KIT	PBT GF	-
4	SPLIT RUBBER GLAND	SILICONE	-
5	TIGHTENING CONE	PA	-
6	GLAND NUT	PBT GF	COLOUR BLACK

spec ref	dr	BONEY THOMAS	04-18-2018	projection	mm	size	A3	scale	1:2
tolerance std	eng	BONEY THOMAS	04-18-2018			ecn no	ECR-ELX-129910	rel level	RELEASED
ISO 406 ISO 1101	chr	SALOSIUS	04-18-2018						
surface	linear	0.X	±0.3	Amphenol FCI	OCTIS PLUG KIT, RJ45 TAB UP FIELD TERMINABLE, PITCH 26 MM, COD R	dwg no 10135742	rev E		
		0.XX	±0.10						
0.XXX	±0.05								
ISO 1302	angular	0°	±2°	cat. no.	-	Product-Customer Drw	sheet 1 of 2		

Amphenol FCI

© 2016 AFCI

1

2

3

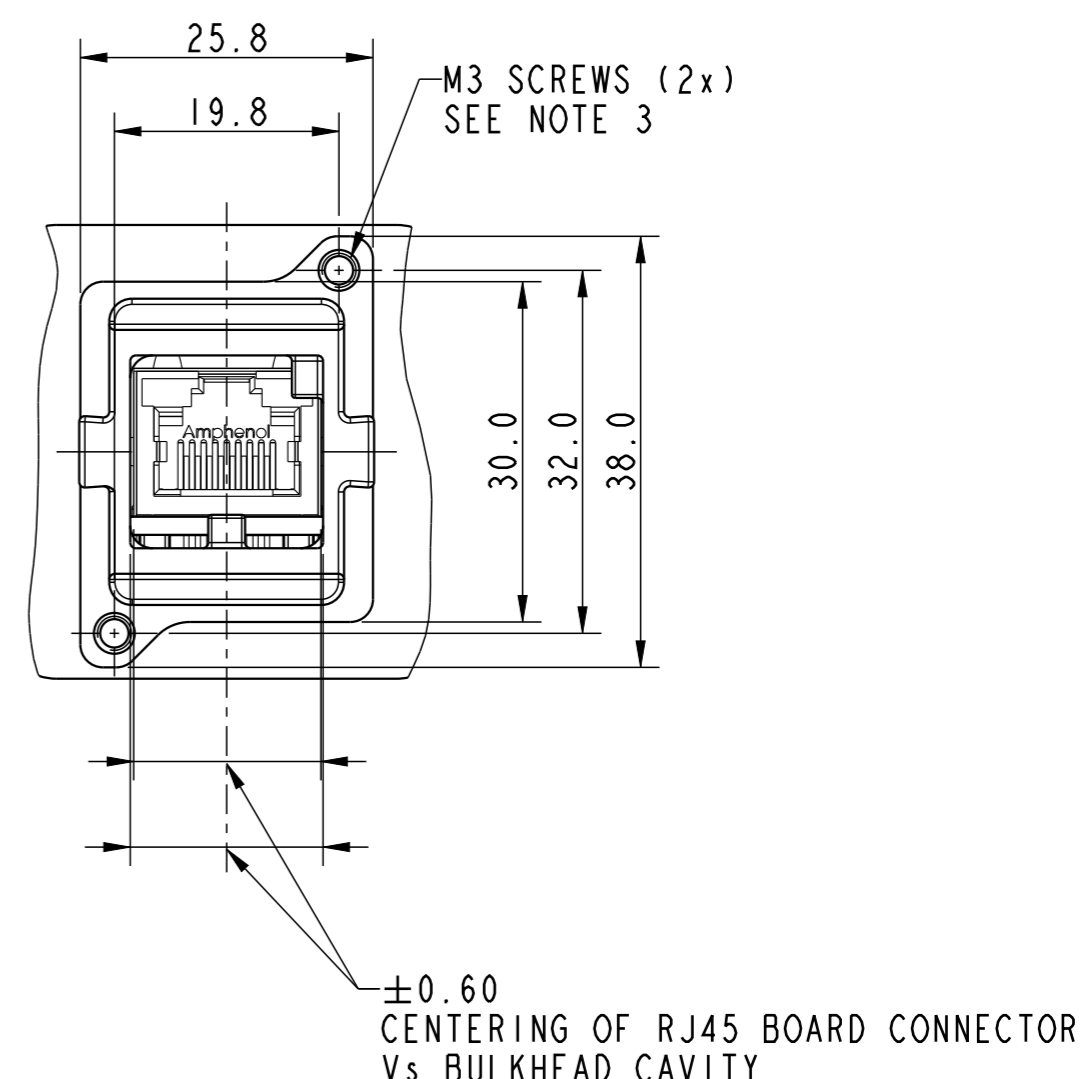
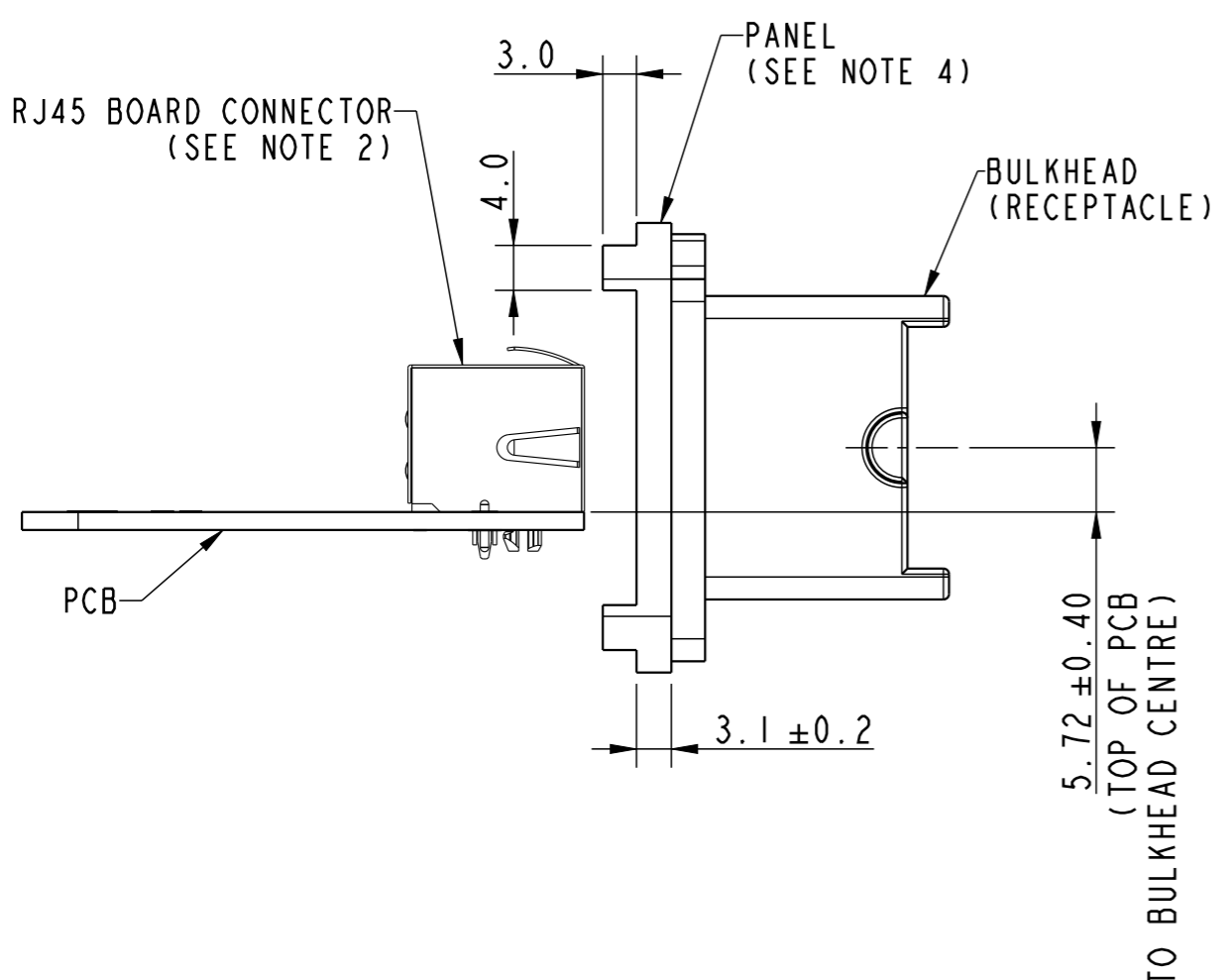
4

A

B

A

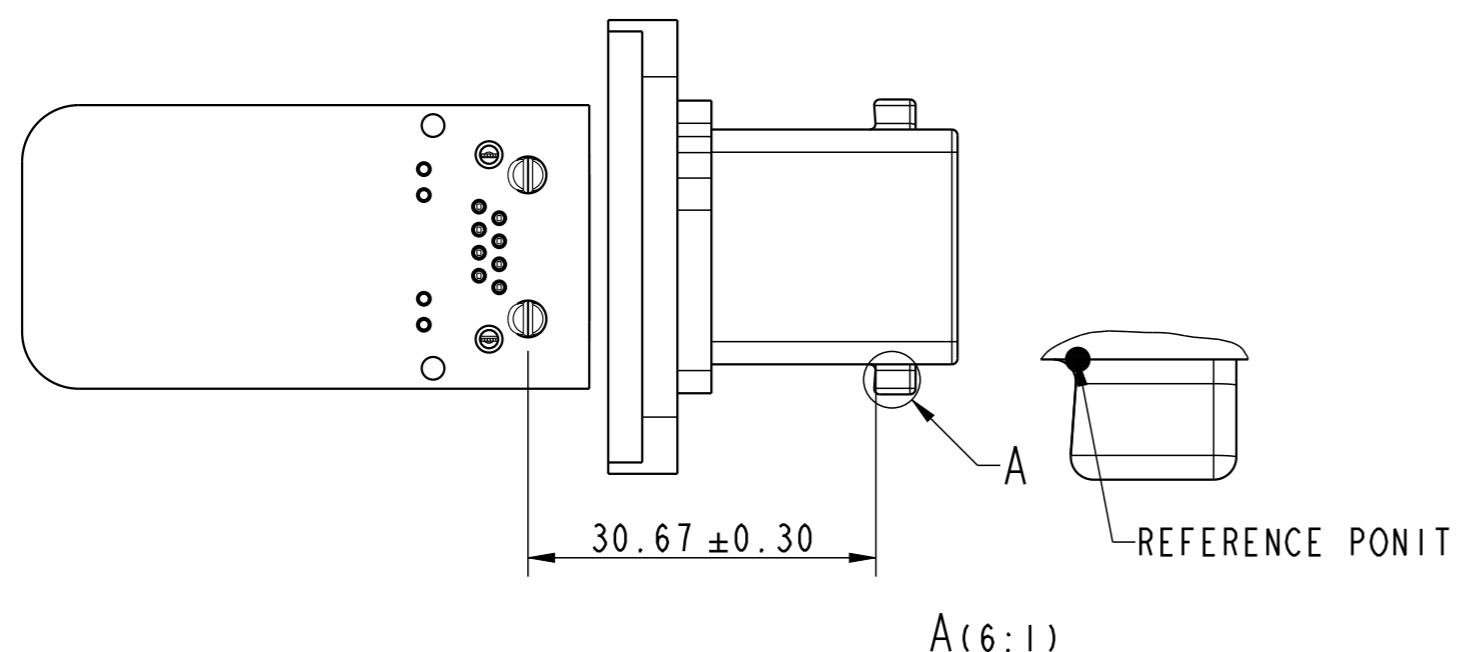
B



Amphenol FCI

C

C



BOARD TO PANEL DIMENSIONS

NOTES:

1. KIT WILL BE SUPPLIED WITHOUT CONNECTOR
2. REFERENCED MATING BOARD CONNECTOR IS AMPHENOL RJHSE-5480/RJHSE-5380, TAB UP, STANDARD PROFILE, SHIELDED RJ45 MODJACK OR ITS EQUIVALENT.
3. SCREWS TO BE USED ARE M3 X 6MM; MATERIAL-STAINLESS STEEL
4. CASTED MOUNTING PANEL SHOULD HAVE ON ITS REAR SIDE AN INTEGRAL RECTANGULAR REINFORCED RIBS OF 3MM THICKNESS AND 4MM WIDTH ALONG THE MOUNTING SCREW PLANE AT THE TOP AND BOTTOM TO ACCOMODATE THE BLIND INTERNAL SCREW THREAD

© 2016 AFCI

D

D

spec ref	dr	BONEY THOMAS	04-18-2018	projection	mm	size	A3	scale	1:2
tolerance std	eng	BONEY THOMAS	04-18-2018			ecn no	-	rel level	RELEASED
ISO 406 ISO 1101	chr	SALOSIUS	04-18-2018						
surface	linear	0.X	±0.3	Amphenol FCI	OCTIS PLUG KIT, RJ45 TAB UP FIELD TERMINABLE, PITCH 26 MM, COD R	dwg no	-	-	10135742
		0.XX	±0.10						
		0.XXX	±0.05						
ISO 1302	angular	0°	±2°	cat. no.	-	Product-Customer Drw	sheet 2 of 2	rev	E

1

2

3

4