

[Find by Feature](#)[Browse by Category](#)[Share](#) [Search →](#)

Enter part number or keyword

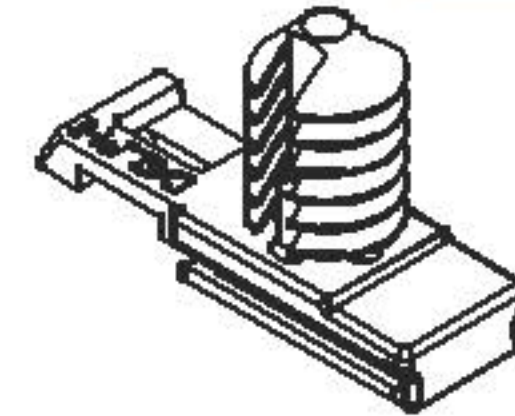
[Search Results \(0\)](#)[Search Options](#)

Select a product type to narrow your search:

Results with your selections: --

[Clear](#)[Search →](#)

Connector Attachment Clip Nail, Attachment Hole Diam 6.35 Part #15318012

[Question about this product?](#)[Attributes](#)[Documents \(4\)](#)

Part #:	15318012
Description:	Connector Attachment Clip Nail, Attachment Hole Diam 6.35
Product Type:	Mounting Device
Fastening Type:	Nail
Status:	Active
Component Type:	Clip
Component Feature:	Connector
Hole size [mm]:	6.35
Length [mm]:	25.40
Color:	Black
Material:	Nylon
Weight [g]:	0.86
ELV compliant:	Yes
RoHs compliant:	Yes