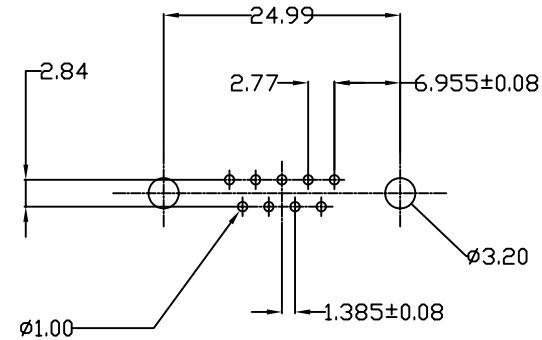
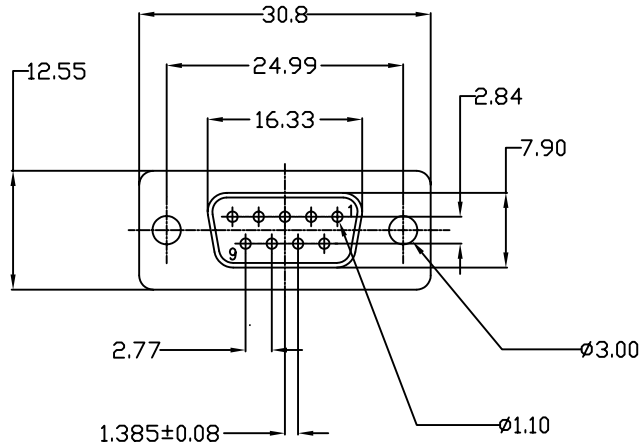
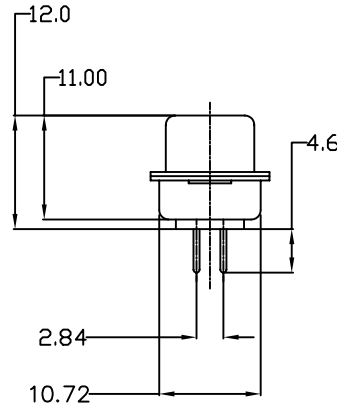
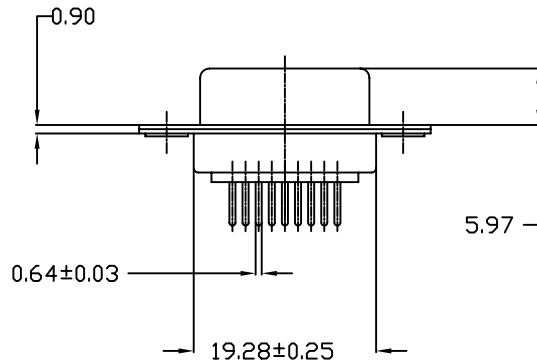


REVISIONS

DCP #	REV	DESCRIPTION	DRAWN	DATE	CHECKD	DATE	APPRVD	DATE
1789	B	Shell Plate was Zinc	JN	2/14/08	JN	2/14/08	JN	2/14/08
1995	C	Dimensions Corrected	JN	10/24/08	JN	10/24/08	JN	10/24/08



P.C.B. LAYOUT



SPECIFICATION:

- 1. Shell: Steel, Tin-Plated
- 2. Contact: Brass, Machine Pin
Gold-Plated over Nickel
- 3. Insulator: PBT & Fiber-Glass Reinforced,
Blue Color
- 4. Current Rating: 5 Amps
- 5. Dielectric Strength: 1000 V for One Minute
- 6. Insulator Resistance: 1000M? Min. at
500 V DC
- 7. Temperature: -50°C to +105°C

DISCLAIMER:
ALL STATEMENTS AND TECHNICAL INFORMATION CONTAINED HEREIN ARE BASED UPON INFORMATION AND/OR TESTS WE BELIEVE TO BE ACCURATE AND RELIABLE. SINCE CONDITIONS OF USE ARE BEYOND OUR CONTROL, THE USER SHALL DETERMINE THE SUITABILITY OF THE PRODUCT FOR THE INTENDED USE AND ASSUME ALL RISK AND LIABILITY WHATSOEVER IN CONNECTION THEREWITH.

TOLERANCES:
UNLESS OTHERWISE SPECIFIED, DIMENSIONS ARE FOR REFERENCE PURPOSES ONLY.

DRAWN BY:	DATE:
Dan McVicker	12/5/06
CHECKED BY:	DATE:
Jason Nash	2/14/08
APPROVED BY:	DATE:
Jason Nash	2/14/08

DRAWING TITLE: D-Sub 9Pin Female Straight Connector			
SIZE	DWG. NO.	ELECTRONIC FILE	REV
A	SPC15463	79K5037.DWG	B
SCALE: NTS	U.O.M.: INCHES [mm]	SHEET: 1 OF 1	