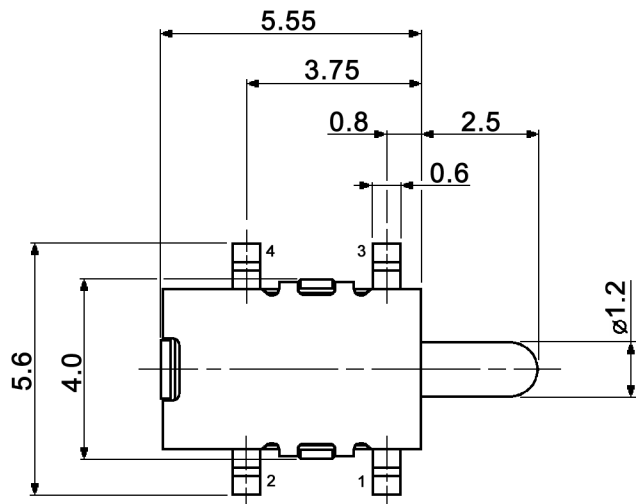
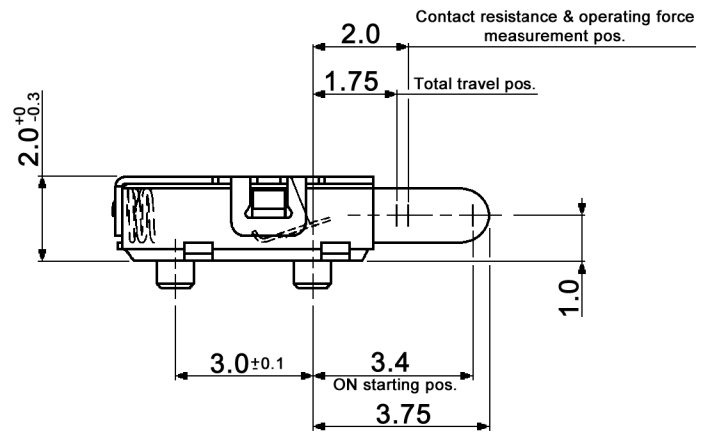
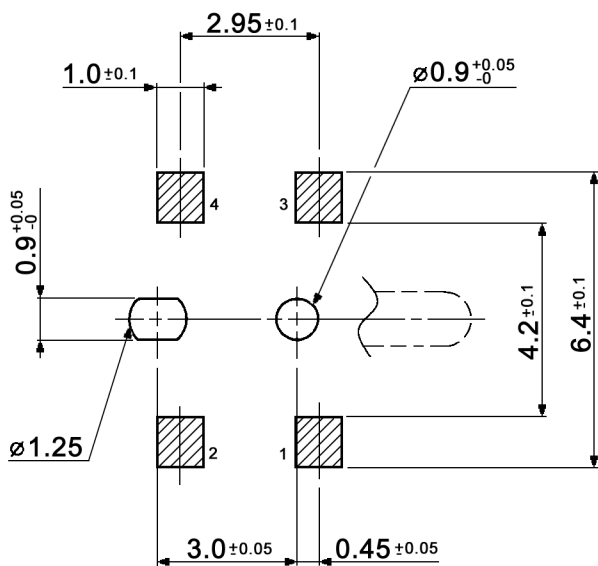


4x **A** common tolerances zone

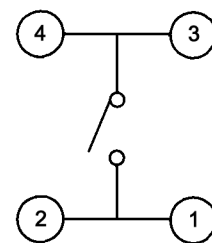
$\square$  0.1



P.C.B. LAND DIMENSION  $\oplus$  0.05



CIRCUIT DIAGRAM



Compliance: RohS II (2011/65/EU)

Tolerances: up to 10: ±0.2mm above 10-50: ±0.3mm	Date	Name
	03/14	dr
Operating temperature	10/16	dr
Dimensions	09/14	dr
Coating, no grease	07/14	dr
Modifications	Date	Name

**DTS 110 CBP-RT-2S-LF**

**knitter-switch**

**30 30 82**

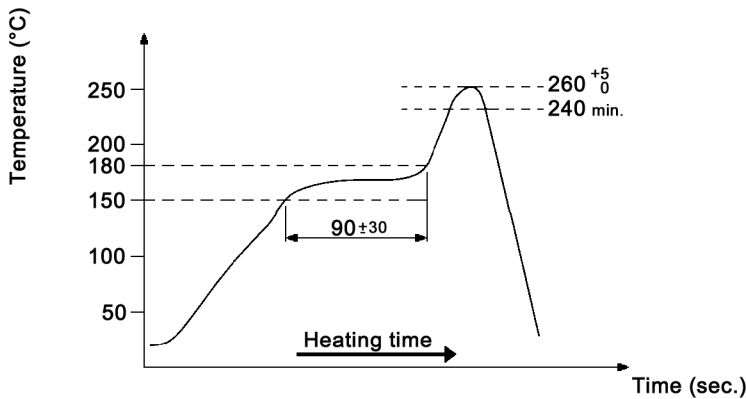
Page

1/3

**Specifications:**

Contact rating: 1mA, 5V DC  
 Contact resistance: 1000mOhm max.  
 Insulation resistance: 100Mohm min. at 100V DC for 1 minute  
 Dielectric strength: 100V AC (50/60Hz, 2mA) for 1 minute  
 Operating temperature: -40°C to +85°C  
 Storage temperature: -40°C to +85°C  
 Electrical life: 100 000 cycles  
 Operating force: 120gf max.  
 Material: Spring / cover: stainless steel, natural  
 Contact: stainless steel, 0.5µm gold plated with coating  
 Case / slider: HTN 94V-0, black  
 Terminal: phosphor bronze, 0.5µm gold plated with coating  
 Coil spring: stainless steel  
 No grease / lubricant

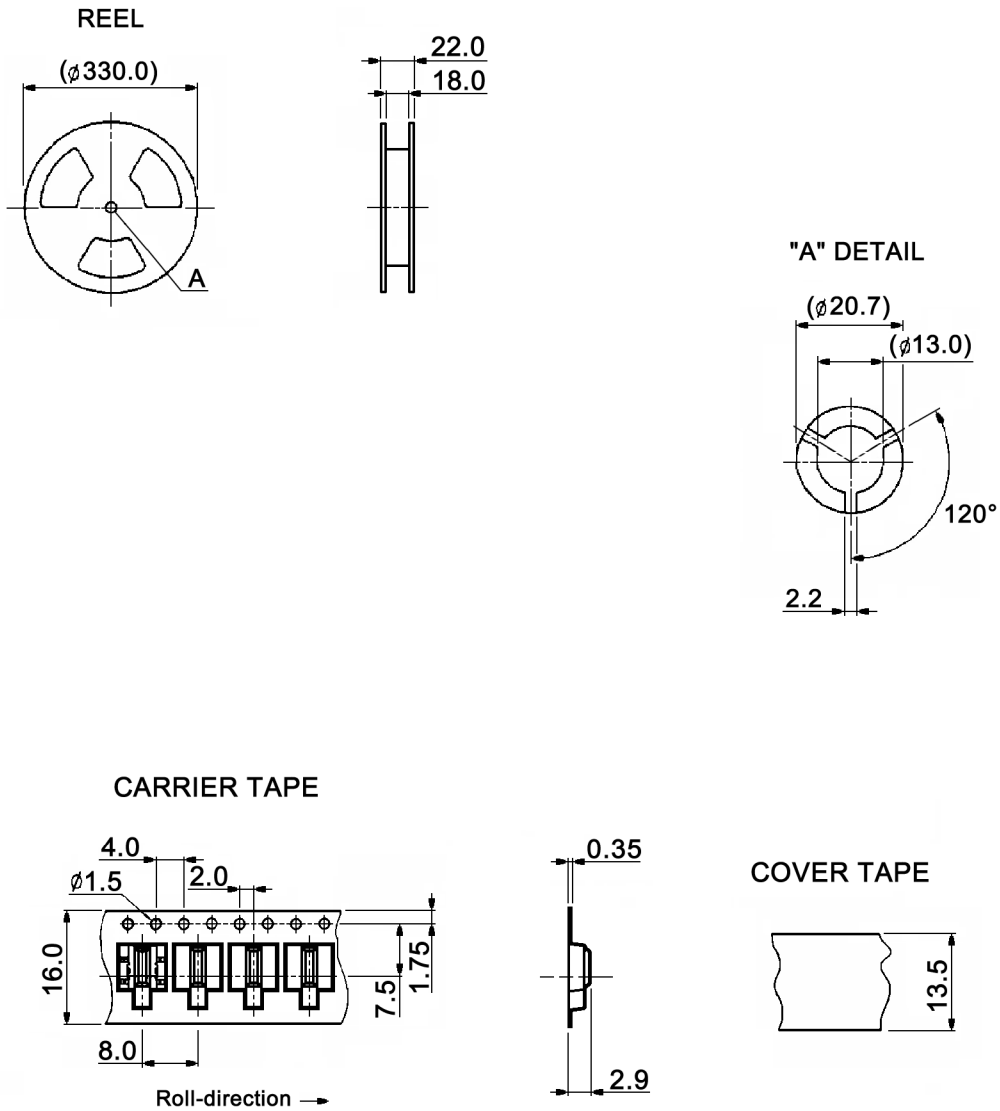
**Soldering conditions:**



Compliance: RohS II (2011/65/EU)

Tolerances: up to 10: ±0.2mm above 10-50: ±0.3mm		Date	Name	<b>DTS 110 CBP-RT-2S-LF</b>
		03/14	dr	
		<b>knitter-switch</b>		<b>30 30 82</b>
				Page
				2/3
Modifications	Date	Name		

Packaging:



Packaging unit: 3000 pcs. / reel  
Compliance: RohS II (2011/65/EU)

Tolerances: up to 10: $\pm 0.2\text{mm}$ above 10-50: $\pm 0.3\text{mm}$		Date	Name
		03/14	dr
Modifications	Date	Name	

**DTS 110 CBP-RT-2S-LF**

**knitter-switch**

**30 30 82**

Page

3/3