

PRODUCT NUMBER  
98414-XXX-XX-XXXLF

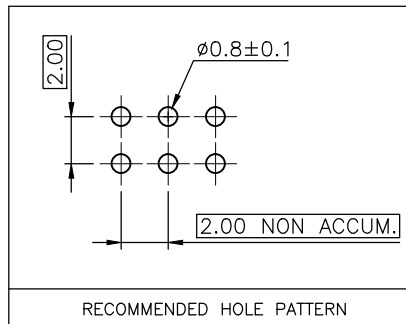
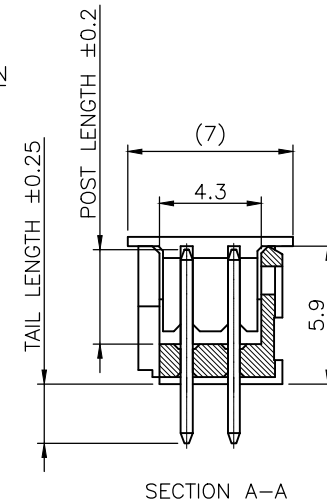
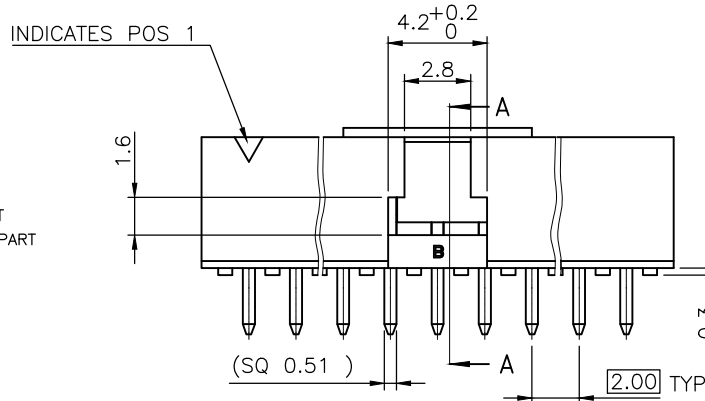
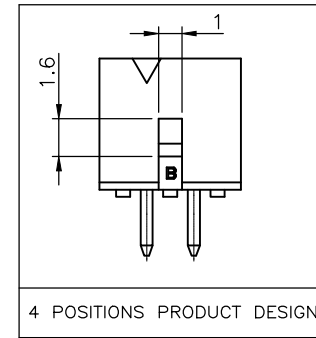
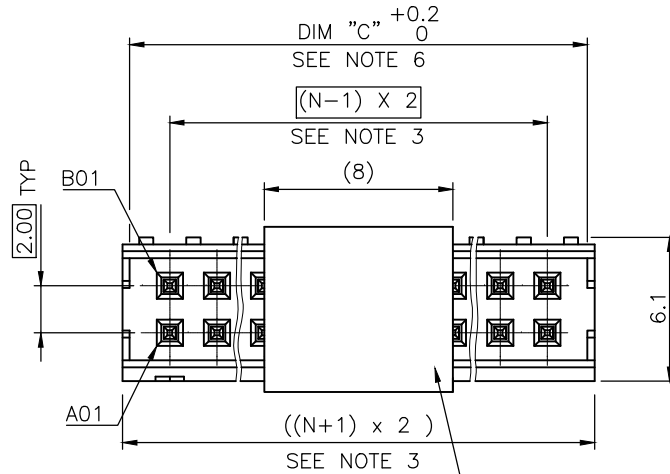
PLATING \_\_\_\_\_ RoHS COMPATIBLE, SEE NOTE 8  
S = 0.38µm GOLD/GXT ON CONTACT AREA  
2µm MIN MATTE TIN ON TAIL  
G = 0.76µm GOLD/GXT ON CONTACT AREA  
2µm MIN MATTE TIN ON TAIL  
F = GOLD FLASH ON CONTACT AREA  
2µm MIN MATTE TIN ON TAIL  
T = 2.0-6.0µm FULL MATTE TIN  
1.27µm Ni MIN UNDERLAYER

POLARIZATION, SEE NOTE 7  
PACKAGING, SEE NOTE 5  
TOTAL NB OF POSITIONS, 04 TO 50 POS  
COLOR OPTION NOTE 1

PIN STYLE	POST LENGTH	TAIL LENGTH
04	4.00	2.00
06	4.00	2.50
08	4.00	3.10
10	4.00	3.70

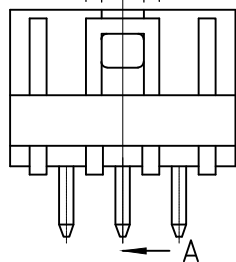
NOTES:

- MATERIAL HOUSING: HIGH TEMP. THERMOPLASTIC UL-94V0  
- = STANDARD COLOR CREAM  
B = OPTIONAL COLOR BLACK
- MATERIAL TERMINAL: COPPER ALLOY
- TO DETERMINE DIMENSIONS:  
N = NUMBER OF POSITIONS PER ROW
- 7N MIN. PIN RETENTION IN EITHER DIRECTION.
- PACKAGING:  
= STANDARD PACKAGING IN POLYBAGS  
- = POLYBAGS PACKAGING WHEN POLARISATION FEATURE APPLICABLE  
B = TUBE WITH PICK-UP CAP FOR 12 UP TO 50 POS  
U = TUBE AVAILABLE FROM 06 TO 50 POS  
UV = TUBE WITHOUT PICK UP CAP FOR CUSTOMER DEDICATED PART  
AV = TAPE & REEL WITH PICK UP CAP FOR CUSTOMER DEDICATED PART  
KV = TAPE & REEL WITHOUT PICK UP CAP FOR CUSTOMER DEDICATED PART
- DIM "C" = (N x 2) + 1.4  
EXAMPLE: N = 7  
DIM "C" = (7 x 2) + 1.4 = 15.4 mm
- FOR POLARIZATION, SPECIFIED PIN  
EXAMPLE : A03 = ROW A, POSITION 03 TO OMIT PIN  
OMIT FROM PRODUCT NUMBER IF THIS FEATURE IS NOT APPLICABLE.
- RoHS COMPATIBLE PRODUCT SPECIFICATIONS
  - PLATING:  
- "LF" MEANS THE PRODUCT IS LEAD-FREE,  
2µm MINIMUM MATTE TIN OVER 1.27µm MINIMUM NICKEL UNDERPLATE.
  - MANUFACTURING PROCESS COMPATIBILITY  
- THE HOUSING WILL WITHSTAND EXPOSURE TO 260°C ±5°C SOLDER BATH TEMPERATURE FOR 5 SECONDS IN A WAVE SOLDER APPLICATION WITH A 1.6mm MIN THICK CIRCUIT BOARD.
  - LABELLING:  
- MEETS PACKAGING SPECS AS PER GS-14-920
  - THIS PRODUCT MEETS EUROPEAN DIRECTIVES AND OTHER COUNTRY REGULATIONS AS DISCRIBED IN GS-47-0004

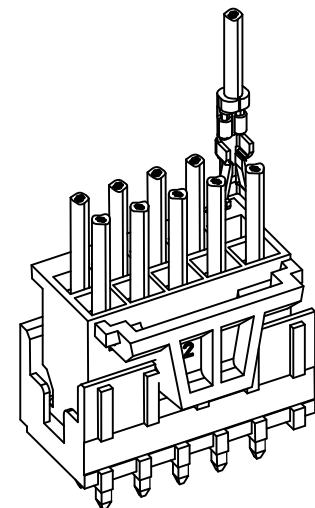
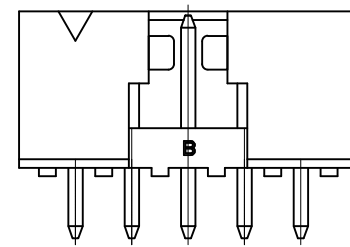
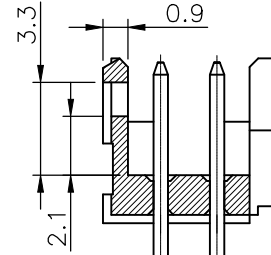
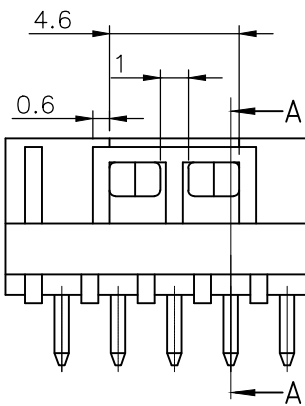
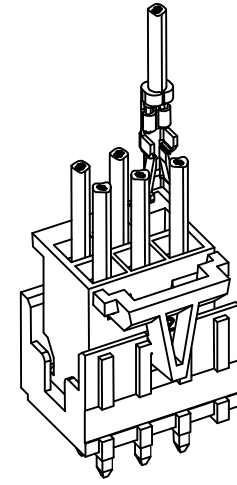
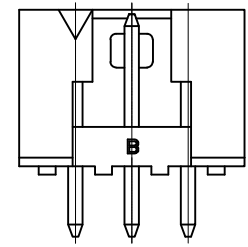
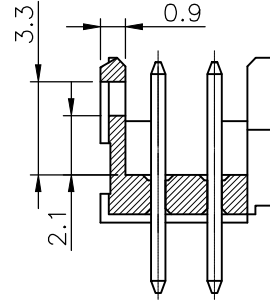


mat'l. code SEE NOTES		surface ISO 1302 ✓	tolerance ISO 406 ISO 101	projection 101	product family MINITEK
ltr	ecn no dr date	tolerances unless otherwise specified		mm	title SHR HEADER 2.00 VERTICAL TMT
P	F10-0215 JCO 10.09.16	angles	X.X ±0.3		
R	B-18812 LMU 14.09.15	linear	X.XX ±0.13	scale 1:1	dwg no 98414
S	B-19190 LMU 14.10.24		X.XXX ±0.05		
T	B-19797 AMA 14.12.16	dr	L.MULIN 04.09.27	sheet 1 of 2 size A3	type CUSTOMER Drawing
U	B-19988 LMU 15.01.13	engr	J.COMPAGNON 04.09.27		
N	F09-0211 JCO 09.11.03	chr	JM.C 04.09.27		
sheet index	revision sheet	U A	1 2		

2.6  
1.5



2x3 POS AND 2x4 POS CONFIGURATION  
NO LATCHING AVAILABLE FOR 2x2 POS



2x5 POS UP TO 2x25 POS CONFIGURATION

LATCHING FEATURES WHEN USED IN COMBINATION  
WITH ACTIVE LATCH HOUSING 10073599

mat'l. code		surface		tolerance		projection		product family		
SEE NOTES		ISO 1302 ✓		ISO 406 ISO		101		MINITEK		
ltr	ecn no	dr	date	tolerances unless otherwise specified		mm		title		
A	F08-0113	LMU	08.01.17	angles	X.X ±0.3	← mm →		SHR HEADER		
				linear	X.XX ±0.13	scale 1:1		2.00 VERTICAL TMT		
					X.XXX ±0.05	FCJ		dwg no		
				dr	L.MULIN	07.11.06			sheet 2 of - size	
				enr	J.COMPAGNON	07.11.06			98414 A3	
				chr					type	
				appd	JM.C	07.11.06			CUSTOMER Drawing	
sheet	revision									
index	sheet									



Copyright FCI

# Mouser Electronics

Authorized Distributor

Click to View Pricing, Inventory, Delivery & Lifecycle Information:

## [FCI / Amphenol:](#)

[98414-G06-06](#) [98414-G06-08U](#) [98414-G06-14U](#) [98414-G06-18ULF](#) [98414-G06-30U](#) [98414-G06-06LF](#) [98414-G06-04LF](#) [98414-G06-04](#) [98414-G06-50U](#) [98414-F06-04LF](#) [98414-F06-06LF](#) [98414-F06-08LF](#) [98414-F06-10LF](#) [98414-F06-10ULF](#) [98414-F06-14LF](#) [98414-F06-14ULF](#) [98414-F06-16LF](#) [98414-F06-16ULF](#) [98414-F06-20LF](#) [98414-F06-20ULF](#) [98414-F06-26LF](#) [98414-F06-26ULF](#) [98414-F06-40LF](#) [98414-F06-40ULF](#) [98414-F06-44LF](#) [98414-F06-44ULF](#) [98414-G06-08LF](#) [98414-G06-08ULF](#) [98414-G06-10LF](#) [98414-G06-10ULF](#) [98414-G06-12LF](#) [98414-G06-12ULF](#) [98414-G06-14LF](#) [98414-G06-14ULF](#) [98414-G06-16LF](#) [98414-G06-18LF](#) [98414-G06-20LF](#) [98414-G06-22LF](#) [98414-G06-22ULF](#) [98414-G06-24LF](#) [98414-G06-24ULF](#) [98414-G06-26LF](#) [98414-G06-26ULF](#) [98414-G06-28LF](#) [98414-G06-28ULF](#) [98414-G06-30LF](#) [98414-G06-30ULF](#) [98414-G06-34LF](#) [98414-G06-34ULF](#) [98414-G06-40LF](#) [98414-G06-40ULF](#) [98414-G06-44LF](#) [98414-G06-44ULF](#) [98414-G06-50LF](#) [98414-S06-06LF](#) [98414-S06-08LF](#) [98414-S06-10LF](#) [98414-S06-12LF](#) [98414-S06-12ULF](#) [98414-S06-14LF](#) [98414-S06-20LF](#) [98414-S06-20ULF](#) [98414-S06-22LF](#) [98414-S06-22ULF](#) [98414-S06-34LF](#) [98414-S06-34ULF](#) [98414-S06-40LF](#) [98414-S06-40ULF](#) [98414-S06-44LF](#) [98414-S06-44ULF](#) [98414-S06-50LF](#) [98414-S06-50ULF](#) [98414-F06-06ULF](#) [98414-F06-08U](#) [98414-F06-08ULF](#) [98414-F06-12LF](#) [98414-F06-12ULF](#) [98414-F06-18LF](#) [98414-F06-18ULF](#) [98414-F06-22LF](#) [98414-F06-22ULF](#) [98414-F06-24LF](#) [98414-F06-24ULF](#) [98414-F06-28LF](#) [98414-F06-28ULF](#) [98414-F06-30LF](#) [98414-F06-30ULF](#) [98414-F06-32LF](#) [98414-F06-32ULF](#) [98414-F06-34LF](#) [98414-F06-34ULF](#) [98414-F06-36LF](#) [98414-F06-36ULF](#) [98414-F06-38LF](#) [98414-F06-38ULF](#) [98414-F06-42LF](#) [98414-F06-42ULF](#) [98414-F06-46LF](#) [98414-F06-46ULF](#) [98414-F06-48LF](#)