

TABLE B

A5	CC1	B12	GND
A9	VBUS	B9	VBUS
A12	GND	B5	CC2
PIN	SIGNAL NAME	PIN	SIGNAL NAME

Note:

1.Material:

- 1.1 Housing: lcp
- 1.2 Contact:C5191,t=0.20mm
- 1.3 InnerShell: LCP
- 1.4 OutShell: SUS304

2.ELECTRICAL:

2-1:CURRENT RATING:

VBUS AND GND CONTACTS RATED AT 1.5A
PARALLELED FOR A TOTAL OF 3A;

2-2:INITIAL CONTACT RESISTANCE :40 MEGOHMS

2-3:DIELECTRIC WITHSTANDING VOLTAGE:

100V AC MIN;

3:MECHANICAL CHARACTERISTICS:

3-1:MATING FORCE:5~20N

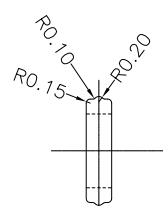
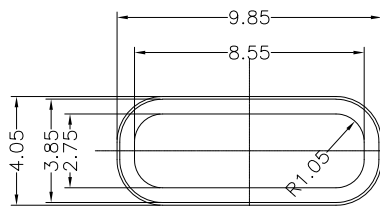
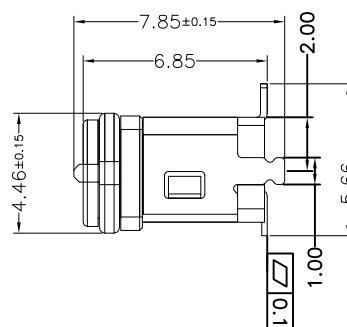
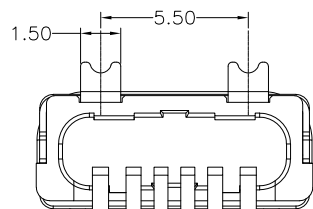
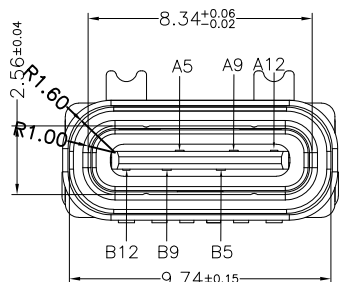
3-2:UNMATING FORCE:8~20N(INITIAL),

6~20N(AFTER 10000 CYCLES)

3-3:FREQUENCY: 200±50 CYCLES /HOUR,10000 CYCLES

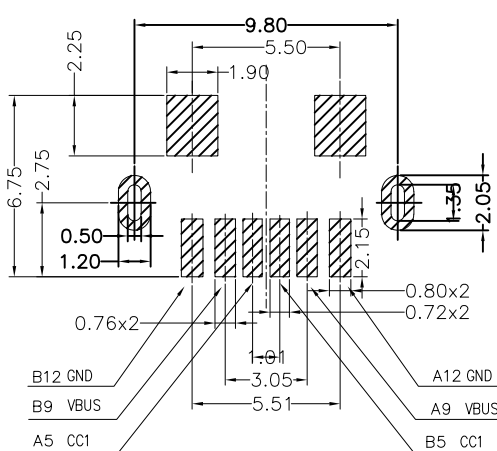
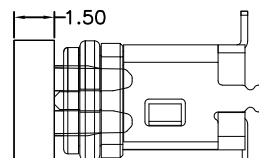
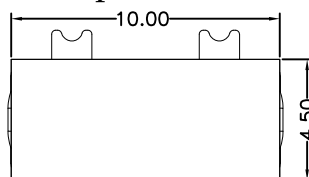
3-4:OPERATING TEMPERATURE ;-40°~80°.

4: WATERPROOF: IPX7.



防水圈

Cap dimensions



PCB LAYOUT 图仅供参考



深圳市华宇创精密电子有限公司

TOLERANCE: X.X ±0.30 X.XX ±0.25 X.XXX ±0.15 X' ±2' X.X' ±0.5'	DRAWN BY : 陈一鸣	DATE : 2014-02-23	PART NAME: USB TYPE C 防水母座6P 立贴H6.8
	CHECKED BY: 马跃	DATE : 2014-02-23	PART NO. HYCW350-USBC06-680B
UNIT: mm [inch] SCALE:1:1 SIZE: A4	APPROVED BY: 邱敏	DATE : 2014-02-23	DRAW NO: HYC-2206211654
			SHEET NO. 1 OF 1