

product specifications for:
CLS Series 18 Inline Cams

Item #: CLS182MB

Description

MALE CLS SERIES 18 INLINE #6 - #2 AWG

Electrical Specifications

Max. Amperage: 190A with #2 AWG

Max. Voltage: 600V AC/DC

Material Specifications

Housing Material: Santoprene TPV

Contact Material: Brass

Temperature Rating: -40°C to 105°C

Mechanical Specification

Gender: Male

Connection Type: Double Set Screw

(Torque to 160 in-lbs.)

Retaining Screw: Glass Filled / Heat Stabilized Nylon

Example: **CLS182MB + A = CLS182MB-A**

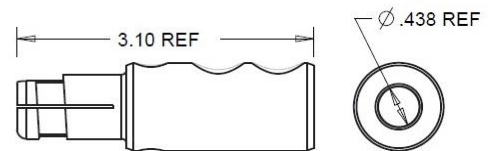
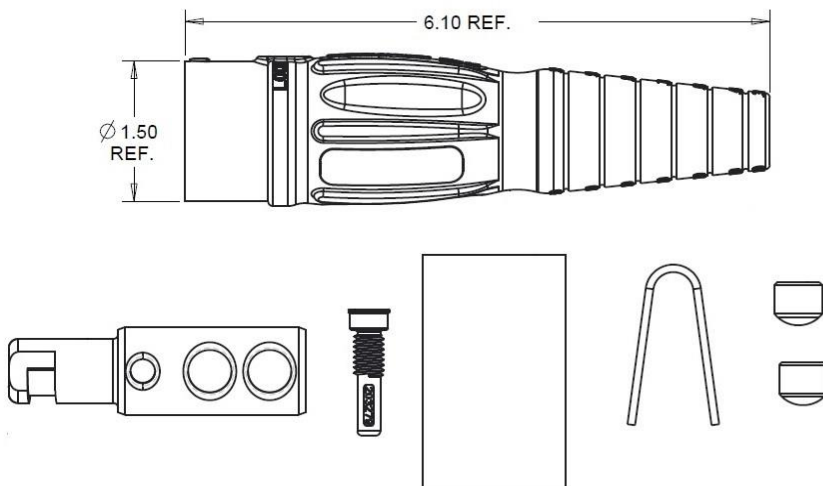


Standards and Certifications

UL Listed: File E471676

CSA Certified: 0812900000

Environmental Rating: Type 3R & 4



SHOWN FOR SIZING

toll free 800.307.6702 | marincopowerproducts.com

©2015 Marincó Power Products. All rights reserved.

MARINCO
power products