

4

3

2

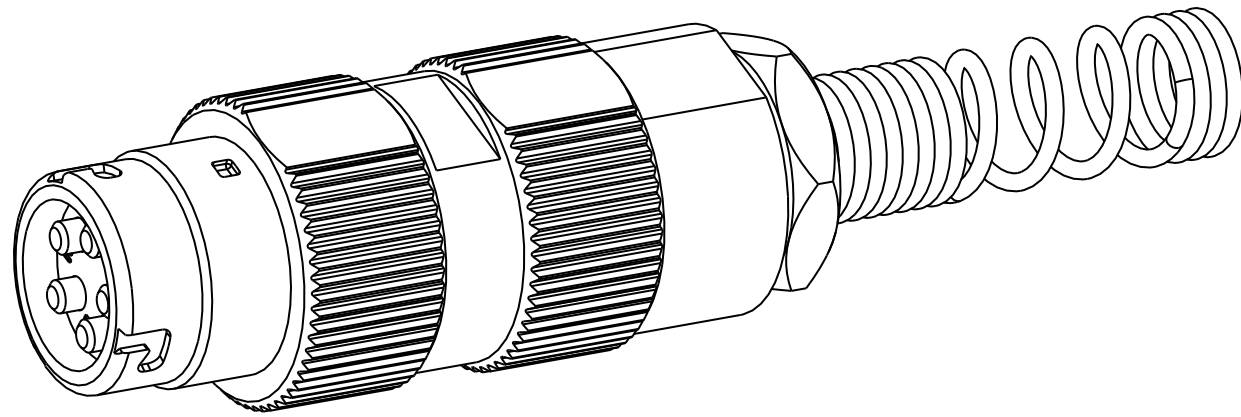
1

B AJ-165

PART NUMBER	MILITARY PART NO.	CABLE DIA.	BUSHING
AJ-165/13-1	M55116/13-1	.165 ±.010	AP-116-17
AJ-165/13-2	M55116/13-2	.228 ±.010	AP-116-18
AJ-165/13-3	M55116/13-3	.250 ±.010	AP-116-8
AJ-165/13-4	M55116/13-4	.290 ±.010	AP-116-19

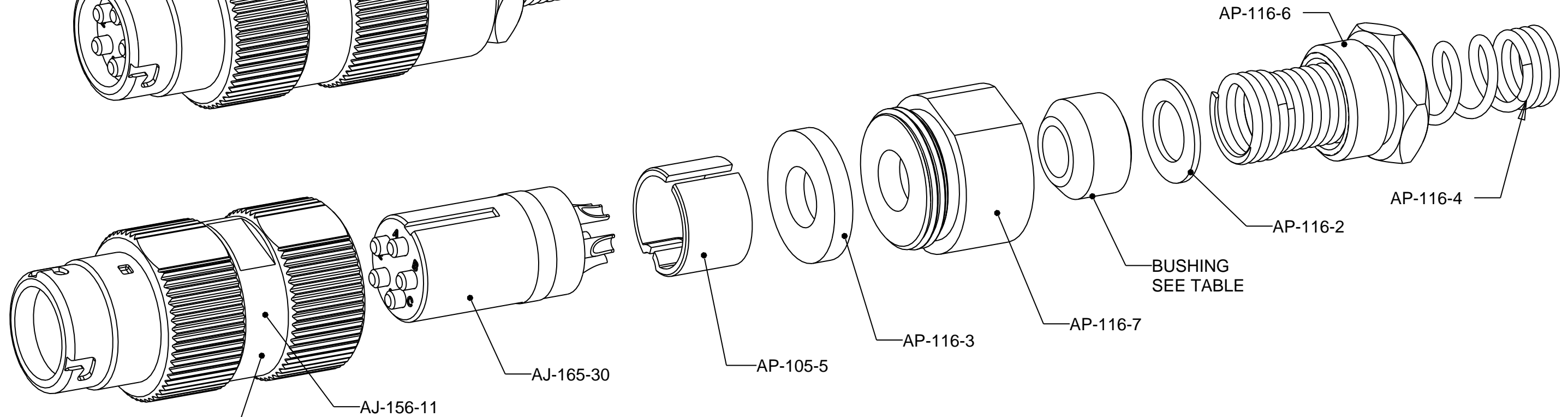
D

D



C

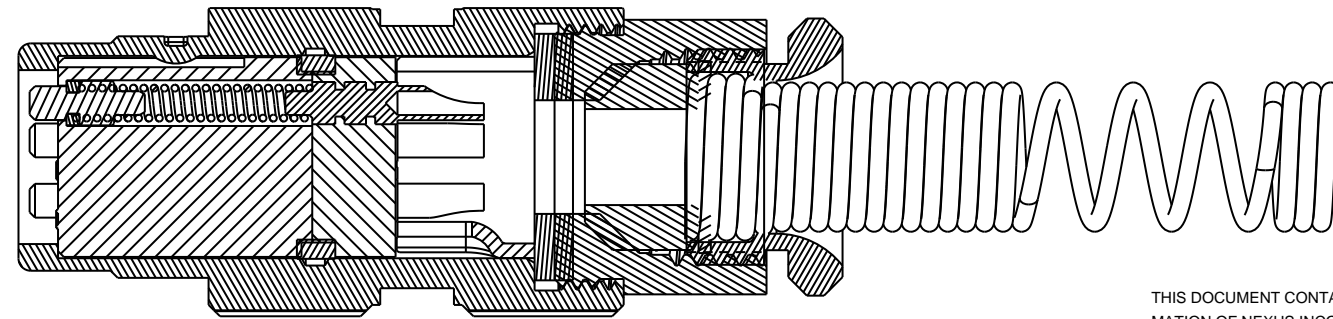
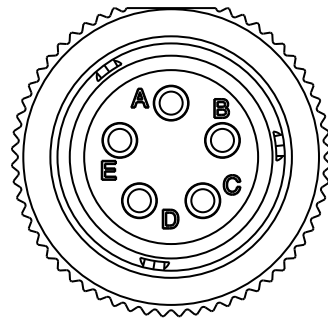
C



B

B

SEE NOTE 2



THIS DOCUMENT CONTAINS PROPRIETARY INFORMATION OF NEXUS, INCORPORATED AND SUCH INFORMATION MAY NOT BE DISCLOSED TO OTHERS FOR ANY PURPOSE OR USED FOR ANY PURPOSE WITHOUT THE WRITTEN CONSENT OF NEXUS.

NOTES;

- 1. CONNECTORS ARE QUALIFIED TO MIL-DTL-55116.
- 2. MARK MILITARY PART IDENTIFYING NO., MANUFACTURERS NAME AND CAGE CODE LOCATED APPROXIMATELY AS SHOWN.

A

A

LET.	REVISION	CN #	DATE	CHK.
A	ADD NOTES AND TABLE AJ-156-11 WAS AP-156-11	037	12/17/09	GPH

DWN.BY	LDE	DATE	13-Jul-09
CHECKED BY		DATE	
APPR.BY		DATE	
UNLESS OTHERWISE SPECIFIED DIMENSIONS ARE IN INCHES TOLERANCES ON .XX .XXX ANGLES ±.003 ±.5 °			

MATERIAL	
FINISH	
WEIGHT	SCALE = 2.00 :1
TITLE JACK, 5 PIN AUDIO, SOLDER	
DO NOT SCALE DWG.	SHEET 1 OF 1

<b>NEXUS</b> STAMFORD, CONN	
SIZE	DWG. NO.
<b>B</b>	AJ-165

# Mouser Electronics

Authorized Distributor

Click to View Pricing, Inventory, Delivery & Lifecycle Information:

[Amphenol:](#)

[AJ-165/13-2](#) [AJ-165/13-3](#) [AJ-165/13-1](#) [M55116/13-2](#) [M55116/13-1](#) [M55116/13-3](#) [AJ-165/13-4](#) [AJ-165/13-5](#)