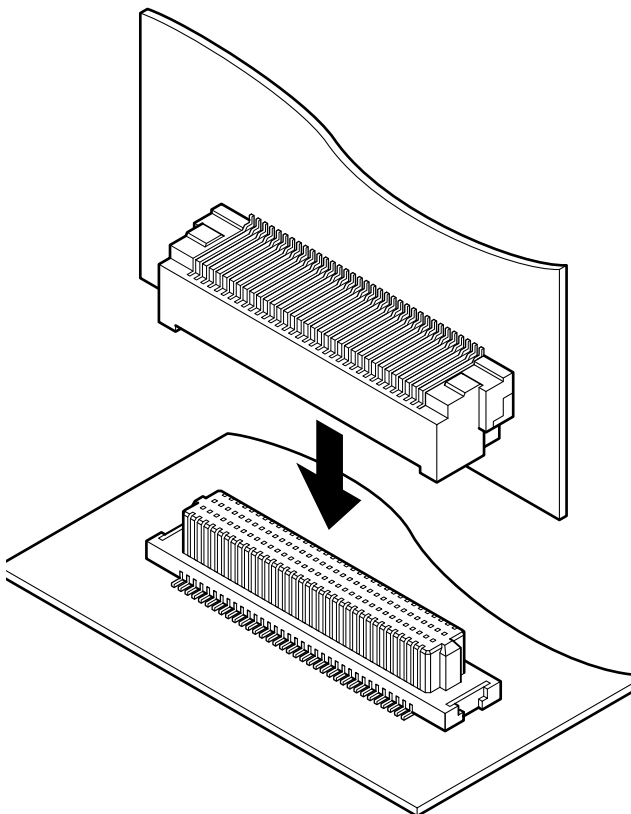


JMD CONNECTOR

Board-to-board connectors



This connector is 0.5 mm pitch SMT type board-to-board connector with horizontal and vertical connection.



Features

• Smooth connection

Thanks to the cantilever type contacts, mating is very smooth.

• Distortion preventive construction

Box-shaped plug housing has the guide ribs on both ends, which prevents distortion, and offsetting the rib from the center axis provides the mating directionality.

• Wide range of circuits

No. of circuits available are from 20 to 100, every 10 circuits.

• Embossed taping for automatic mounting

This connector is supplied in embossed tape packaging, for mounting by automatic placement machines.

Specifications

- Current rating: 0.5 A AC, DC
- Voltage rating: 50 V AC, DC
- Temperature range: -25°C to +85°C
(including temperature rise in applying electrical current)
- Contact resistance: Initial value/ 50 mΩ max.
After environmental tests/ 100 mΩ max.
- Insulation resistance: 50 MΩ min.
- Withstanding voltage: 100 VAC/minute

* Refer to "General Instruction and Notice when using Terminals and Connectors" at the end of this catalog.

* Contact JST for details.

* Compliant with RoHS.

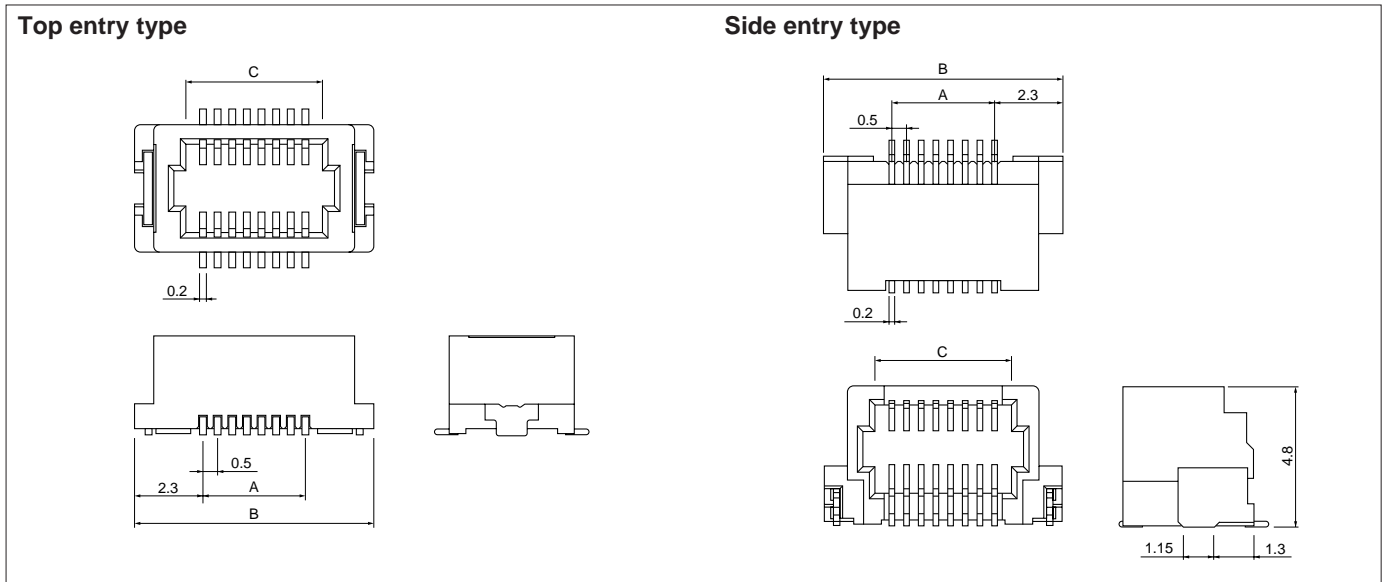
Standards

Recognized E60389

Certified LR20812

JMD CONNECTOR

Plug



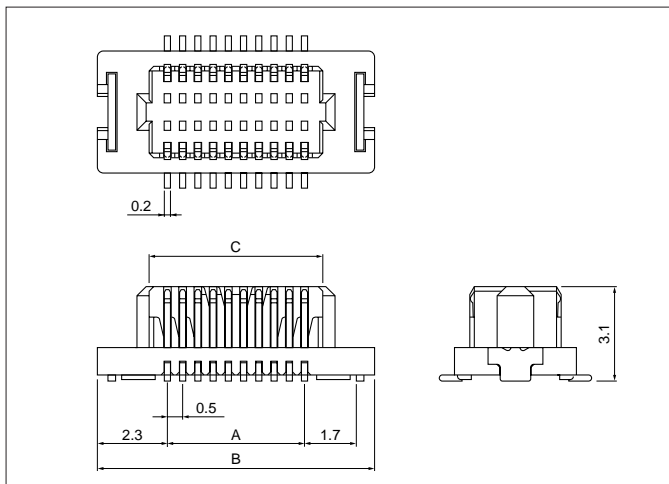
| Circuits | Model No. | | | | Dimensions (mm) | | | Q'ty/ reel |
|----------|--------------------------|----------------------------|----------------------------|---------------------------|-----------------|------|------|---------------|
| | Top entry type | | | Side entry type | A | B | C | |
| | 4.5 mm | 5.0 mm | 6.0 mm | | | | | |
| 20 | 20P-JMDSS-G-1-TF | – | – | 20PS-JMDSS-G-1-TF | 4.5 | 9.1 | 5.7 | 1,500 |
| 30 | – | 30P5.0-JMDSS-G-1-TF | – | 30PS-JMDSS-G-1-TF | 7.0 | 11.6 | 8.2 | 1,500 |
| 40 | 40P-JMDSS-G-1-TF | 40P5.0-JMDSS-G-1-TF | – | 40PS-JMDSS-G-1-TF | 9.5 | 14.1 | 10.7 | 1,500 |
| 50 | 50P-JMDSS-G-1-TF | – | 50P6.0-JMDSS-G-1-TF | 50PS-JMDSS-G-1-TF | 12.0 | 16.6 | 13.2 | 1,500 |
| 60 | 60P-JMDSS-G-1-TF | – | 60P6.0-JMDSS-G-1-TF | 60PS-JMDSS-G-1-TF | 14.5 | 19.1 | 15.7 | 1,500 |
| 70 | 70P-JMDSS-G-1-TF | – | 70P6.0-JMDSS-G-1-TF | 70PS-JMDSS-G-1-TF | 17.0 | 21.6 | 18.2 | 1,500 |
| 80 | 80P-JMDSS-G-1-TF | – | – | 80PS-JMDSS-G-1-TF | 19.5 | 24.1 | 20.7 | 1,500 |
| 100 | 100P-JMDSS-G-1-TF | – | – | 100PS-JMDSS-G-1-TF | 24.5 | 29.1 | 25.7 | 1,500 |

Material and Finish

Contact: Phosphor bronze, nickel-undercoated, gold-plated
Housing: PA 6T, UL94V-0
Solder tab: Brass, copper-undercoated, tin-plated (reflow treatment)

RoHS compliance This product displays (LF)(SN) on a label.
Note: The products listed above are supplied on embossed-tape.

Receptacle



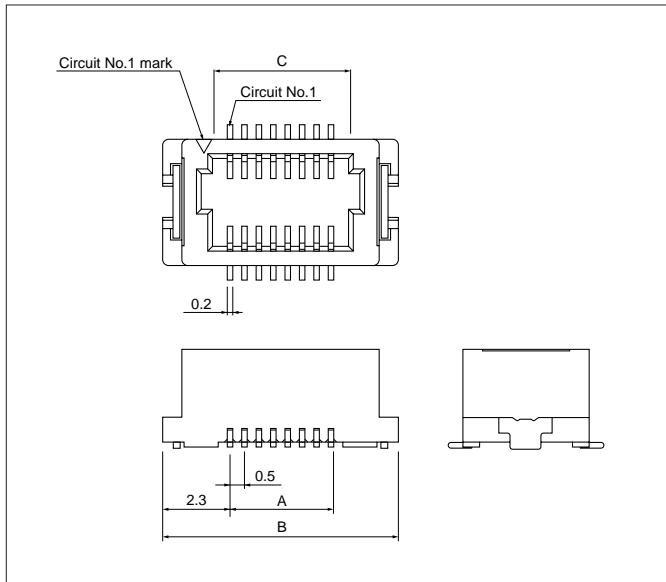
| Circuits | Model No. | Dimensions (mm) | | | Q'ty/ reel |
|----------|-----------------------------|-----------------|------|------|---------------|
| | | A | B | C | |
| 20 | 20R-JMDSS-G-1-TF(S) | 4.5 | 9.1 | 5.7 | 1,500 |
| 30 | 30R-JMDSS-G-1-TF(S) | 7.0 | 11.6 | 8.2 | 1,500 |
| 40 | 40R-JMDSS-G-1-TF(S) | 9.5 | 14.1 | 10.7 | 1,500 |
| 50 | 50R-JMDSS-G-1-TF(S) | 12.0 | 16.6 | 13.2 | 1,500 |
| 60 | 60R-JMDSS-G-1-TF(S) | 14.5 | 19.1 | 15.7 | 1,500 |
| 70 | 70R-JMDSS-G-1-TF(S) | 17.0 | 21.6 | 18.2 | 1,500 |
| 80 | 80R-JMDSS-G-1-TF(S) | 19.5 | 24.1 | 20.7 | 1,500 |
| 100 | 100R-JMDSS-G-1-TF(S) | 24.5 | 29.1 | 25.7 | 1,500 |

Material and Finish

Contact: Phosphor bronze, nickel-undercoated, gold-plated
Housing: PA 6T, UL94V-0
Solder tab: Brass, copper-undercoated, tin-plated (reflow treatment)

RoHS compliance This product displays (LF)(SN) on a label.
Note: The products listed above are supplied on embossed-tape.

Plug with polarizing key



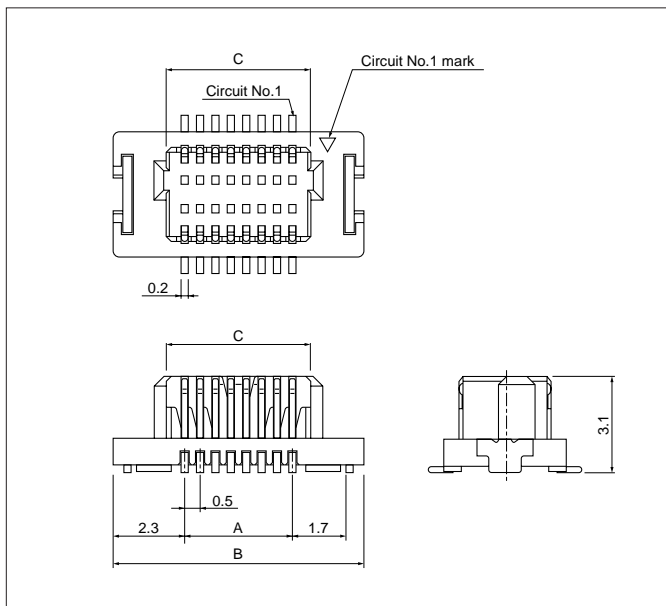
| Cir- cuits | Model No. | Dimensions (mm) | | | Q'ty/ reel |
|---------------|--------------------------------|-----------------|------|------|---------------|
| | Stacking height /4.5 mm | A | B | C | |
| 60 | 60P-JMDHS-GAN-1A-TF (A) | 14.5 | 19.1 | 15.7 | 1,500 |

Material and Finish

Contact: Phosphor bronze, nickel-underplated, gold-plated (nickel-stripe)
Housing: PA 6T, UL94V-0, gray
Solder tab: Brass, copper-undercoated, tin-plated (reflow treatment)

RoHS compliance This product displays (LF)(SN) on a label.
The product listed above are supplied on embossed-tape.

Receptacle with polarizing key



| Cir- cuits | Model No. | Dimensions (mm) | | | Q'ty/ reel |
|---------------|---------------------------------|-----------------|------|------|---------------|
| | Stacking height /4.5 mm | A | B | C | |
| 60 | 60R-JMDHS-GAN-1A-TF (SA) | 14.5 | 19.1 | 15.7 | 1,500 |

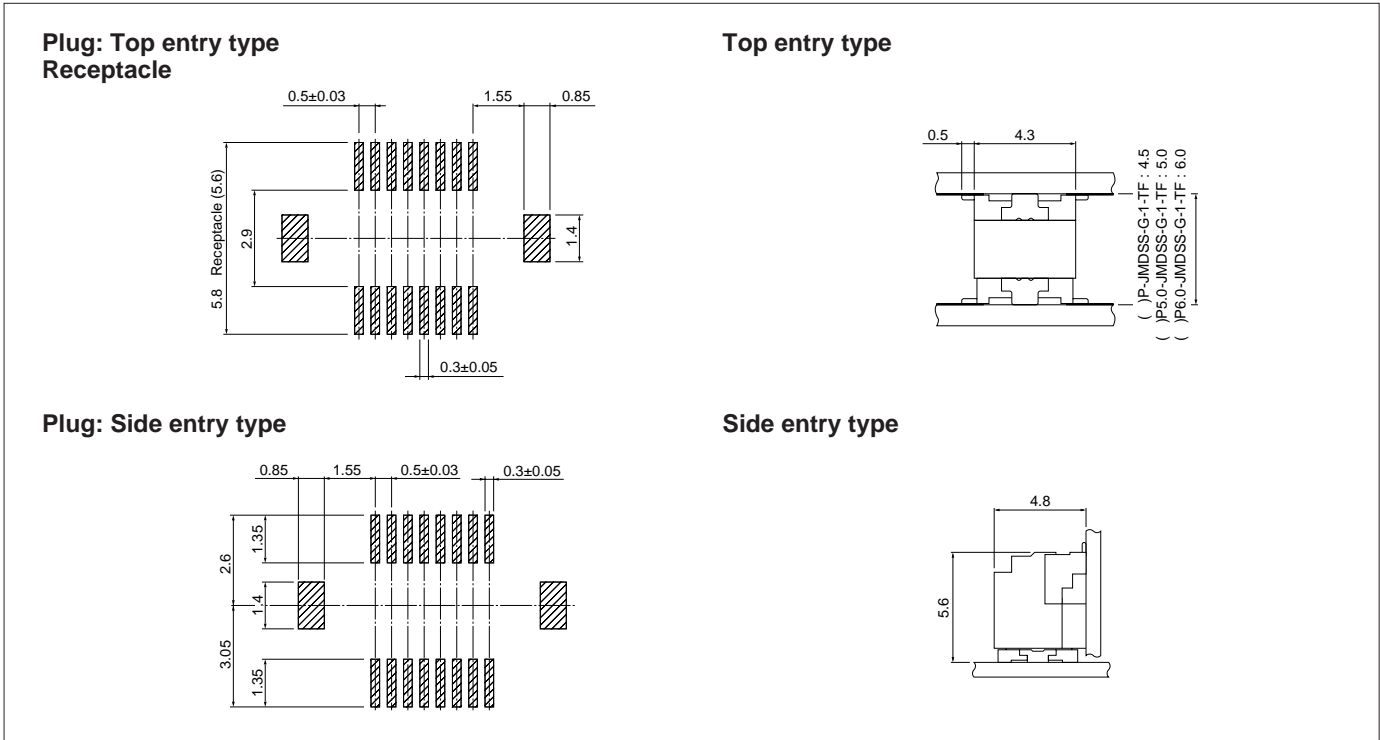
Material and Finish

Contact: Phosphor bronze, nickel-underplated, gold-plated (nickel-stripe)
Housing: PA6T, UL94V-0, gray
Solder tab: Brass, copper-undercoated, tin-plated (reflow treatment)

RoHS compliance This product displays (LF)(SN) on a label.
The product listed above are supplied on embossed-tape.

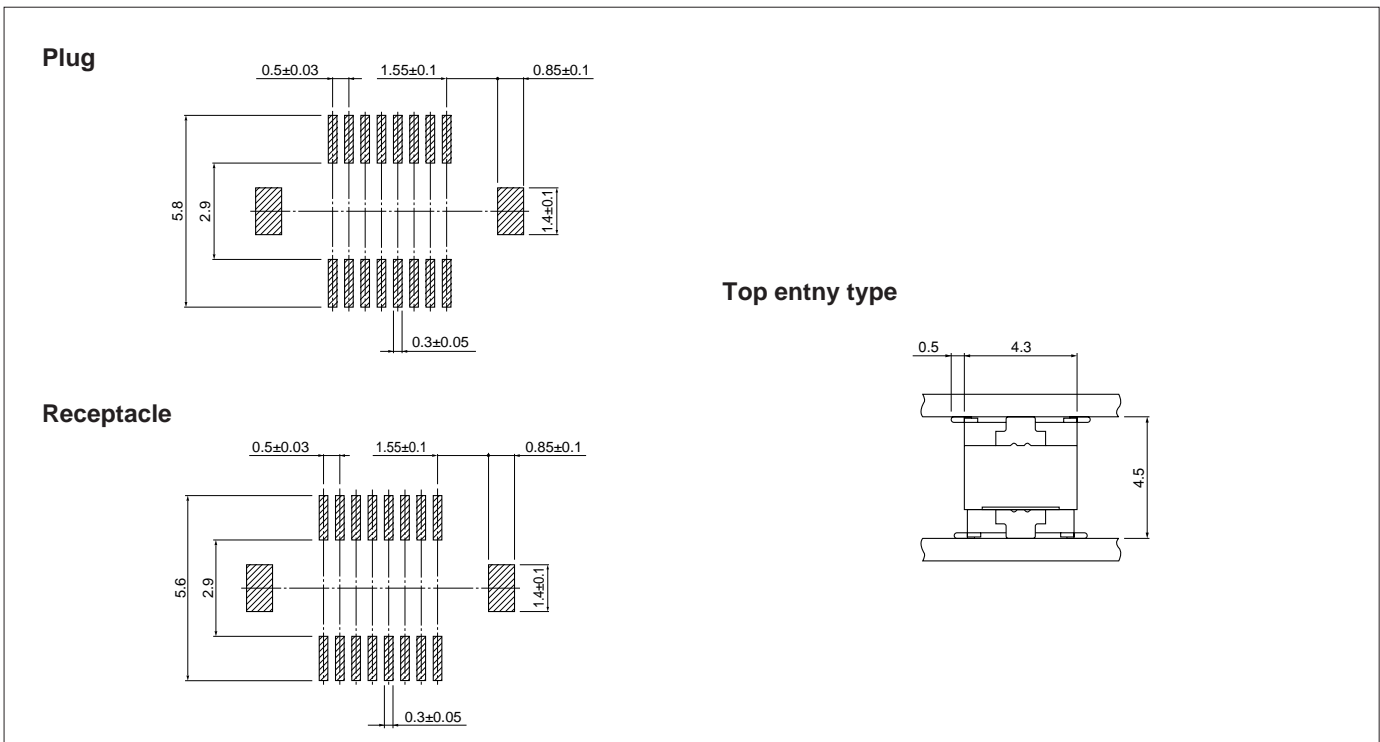
JMD CONNECTOR

PC board layout (viewed from component side) and Assembly layout



Note: 1. Tolerances are non-cumulative: ±0.03 mm for all centers.
 2. The dimensions above should serve as a guideline. Contact JST for details.

PC board layout (viewed from component side) and Assembly layout / with polarizing key



Note: 1. Tolerances are non-cumulative: ±0.03 mm for all centers.
 2. The dimensions above should serve as a guideline. Contact JST for details.