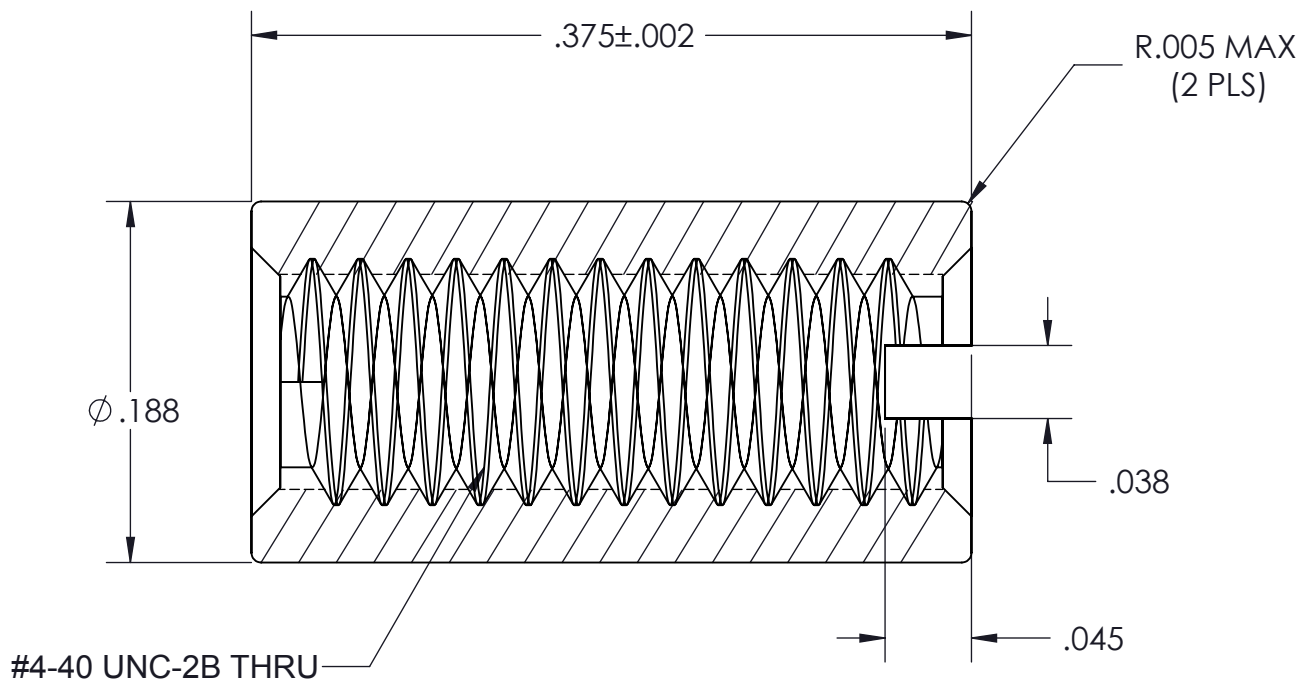


VICOR CONFIDENTIAL

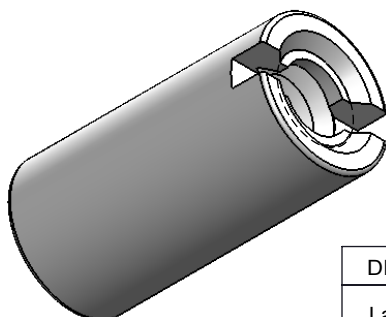
THIS DOCUMENT AND THE DATA DISCLOSED HEREIN OR HEREWITH IS NOT TO BE REPRODUCED, USED OR DISCLOSED IN WHOLE OR IN PART TO ANYONE WITHOUT THE PERMISSION OF VICOR CORP.


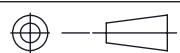
REV.	DESCRIPTION	INTL	DATE	APVD
1	RELEASED PER E0030403	PEI	12/15/00	JMR
2	REVISED PER E100944	KUK	07/22/10	DCS
3	REVISED PER E180494	CMY	07/06/18	EF



NOTES:

1. MATERIAL: 300 SERIES STAINLESS STEEL PER AISI.
2. FINISH: PASSIVATE PER AMS 2700, METHOD 1.
3. REMOVE ALL BURRS AND SHARP EDGES.
4. KIT P/N 20176
5. BAG P/N 20186
6. DIMENSIONS ARE INCHES ONLY.
7. RoHS COMPLIANT PER CST-0001 LATEST REVISION



DRAWN BY Lap Nguyen	DATE 1/15/1999	 SWD			
UNLESS OTHERWISE SPECIFIED DIMENSIONS ARE : INCH / [MM] TOLERANCES ARE: DECIMALS X.XX [X.X] = ±0.01 [0.25] ANGLES ±1° X.XXX [X.XX] = ±0.005 [0.127]		STANDOFF, .375LG FEMALE-FEMALE			
THIRD ANGLE PROJECTION  DO NOT SCALE DRAWING		SIZE A	CAGE CODE 67131	DWG NO 20168	REV 3
		SCALE 10:1		SHEET 1 OF 1	