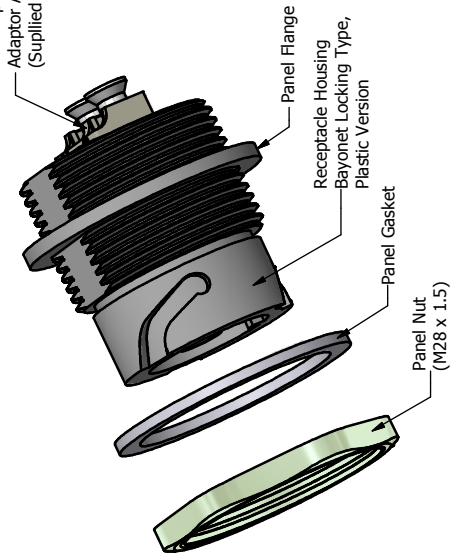
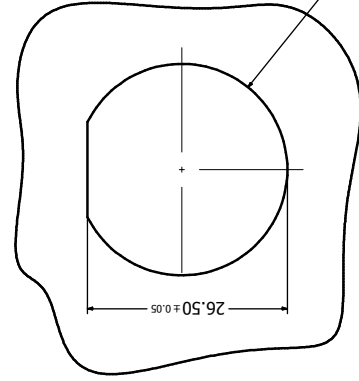


Fiber Optic Duplex LC
Adaptor Assembly
(Supplied with dust caps)

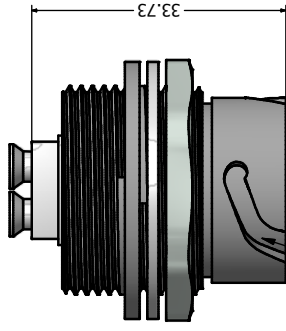
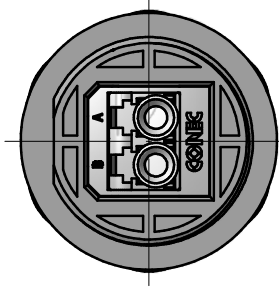
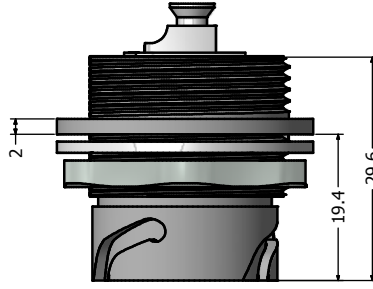
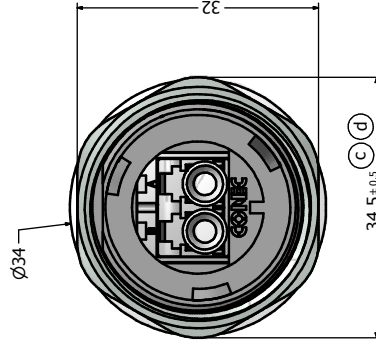


Bayonet Channel x 3



Recommended Panel Cutout (C)

Ø28.00 ± 0.05



Notes:

- Material and Finish:
 - Receptacle Housing: Polyester (Black); UL94 V-0
 - Panel Nut: Brass, Finish: Nickel Plated
 - Panel Gasket: Silicone, Color: White
- Duplex LC Adaptor Assembly:
 - Housing: Mod. PPO, UL94 V-0
- Color: **SM Blue/MM Beige/APC SM Green (b)**
 - Alignment Sleeves: SM Ceramic/MM Phosphor Bronze
 - Dust Cap: PP, Color: Neutral transparent
 - Operating Temperature: -40~C to +85~C
- Connector can be front or rear mounted to a maximum panel thickness of 3.2mm.
- IP67 rated when covered or fully mated with the appropriate mating connector
- Recommended Mounting Panel Nut torque is 20 to 25 lb-inch

| Description | Part Number |
|------------------------------|-------------|
| Single Mode (SM) | 17-300010 |
| Multi Mode (MM) | 17-300020 |
| (C) APC Single Mode (APC SM) | 17-300170 |

Directive 2002/95/EC RoHS Compliant

| | | | | | | | | | | | |
|--------------|----------|------------|------------|---------------|---------|--------------|--------------|--------------|--------------|--|--|
| Customer: | | Title | | Approval Date | | Tolerance | | Scale: 1.5:1 | | Dim. in mm | |
| Name | | | | | | 0 PLC ± 0.30 | 1 PLC ± 0.25 | 2 PLC ± 0.20 | 3 PLC ± 0.10 | Material: See Notes | |
| Rev. | Changes | Date | Name | 2008 | 2008 | Angles ± 3° | | | | Title: IP67 Industrial Duplex LC Receptacle Assembly Kit Plastic Version | |
| a | original | 19/06/2003 | Vincent Ke | Norm | Jun. 06 | | | | | Drawing No.: 17K1A002 | |
| b | 1 x b | 19/06/2003 | Vincent Ke | D-old | Jun. 06 | | | | | Part No.: SEE PART NUMBER TABLE | |
| c | 3 x c | 19/06/2003 | Vincent Ke | | | | | | | DIN A3 | |
| d | 3 x d | 19/06/2003 | Vincent Ke | | | | | | | Sheet 1/1 | |
| CONEC | | | | | | | | | | | |

THIS DRAWING MAY NOT BE COPIED OR REPRODUCED IN ANY WAY, AND MUST BE PASSED ON TO A THIRD PARTY WITHOUT WRITTEN PERMISSION. OWNERSHIP AND COPYRIGHT OF CONEC CORPORATION. DOT NOT ALTER CAD DRAWING BY HAND