

## FS2000E3 系列霍尔电流传感器



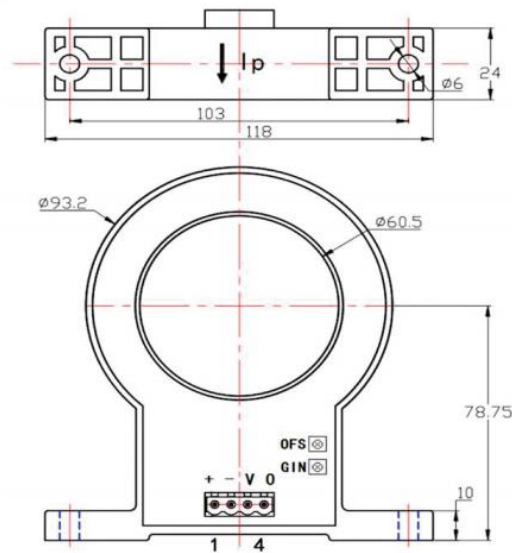
应用霍尔效应开环原理的电流传感器，能在电隔离条件下测量直流、交流脉冲以及各种不规则波形的电流。

Open loop current sensor based on the principle of Hall-effect It can be used for measuring AC,DC,pulsed and mixed current.

电参数/Electrical characteristics							
	型号 Type	FS500E3	FS800E3	FS1000E3	FS1500E3	FS2000E3	
$I_{pN}$	原边额定输入电流 Primary nominal input current	500	800	1000	1500	2000	A
$I_p$	原边电流测量范围 Measuring range of primary current	0~±1000	0~±1600	0~±2000	0~±2500	0~±2500	A
$V_{our}$	副边额定输出电压 Nominal output voltage	4±1%					V
$V_o$	电源电压 Supply voltage	±12~±15(±5%)					V
$I_c$	电流消耗 Current consumption	$V_c=±15V$	<25				mA
$V_a$	绝缘电压 Insulation voltage	在原边与副边电路之间 5kV 有效值/50Hz/1 分钟					
$E_L$	线性度 Linearity	<1					%FS
$X_G$	零点失调电压 Offset voltage	@ $I_{pN}, T=25^{\circ}C$	<±1				%FS
$V_o$	磁失调电压 Residual voltage	$T_A=25^{\circ}C$	<±25				mV
$V_{oM}$	失调电压温漂 Thermal drift of $V_O$	$I_p \rightarrow 0$	<±25				mV
$V_{or}$	响应时间 Response time	$I_p=0$ $T_A=-25 \sim +85^{\circ}C$	<±1				mV/°C
$T_r$	频带宽度(-3dB) Frequency bandwidth(-3dB)	≤7					μ s
f	工作环境温度 Ambient operating temperature	DC~20					kHz

T <sub>A</sub>	贮存环境温度 Ambient storage temperature	-40~+85	°C
T <sub>s</sub>	原边额定输入电流 Primary nominal input current	-40~+100	°C
m	质量(约) Quality (approx.)	430	g
	标准 Standard	SJ 20790-2000;JB/T 7490-2007	

**外形尺寸 (mm)/Dimensions of drawing(mm)**



引脚输出: 1,+15V 2,-15V 3,Vout 4,0V(电源地)OFS,零点调节GIN,幅度调节

Elucidation: 1:+15V 2:-15V 3:VOUT 4:0V(GND)OFS:Zero adjustment GIN:Gain adjustment

引线输出: 红, +15V 蓝, -15V 黄, Vout 黑 .0V(电源地)

Lead output: Red, +15V Blue, -15V Yellow, Vout black. 0V(power supply)

**使用说明/Remarks**

1. 错误的接线可能导致传感器损坏。传感器通电后, 当被测电流从传感器箭头方向穿过, 即可在输出端测得同相电压值。  
Incorrect wiring may cause damage to the sensor. After the sensor is powered on, when the measured current passes through the arrow direction of the sensor, the in-phase voltage value can be measured at the output end.

2. 传感器的输出幅度可根据用户需求进行适当的调节。  
The output amplitude of the sensor can be adjusted according to the user's needs.

3. 可按用户需求定制不同额定输入电流和输出电压的传感器。  
Sensors with different rated input current and output voltage can be customized according to user requirements.

